

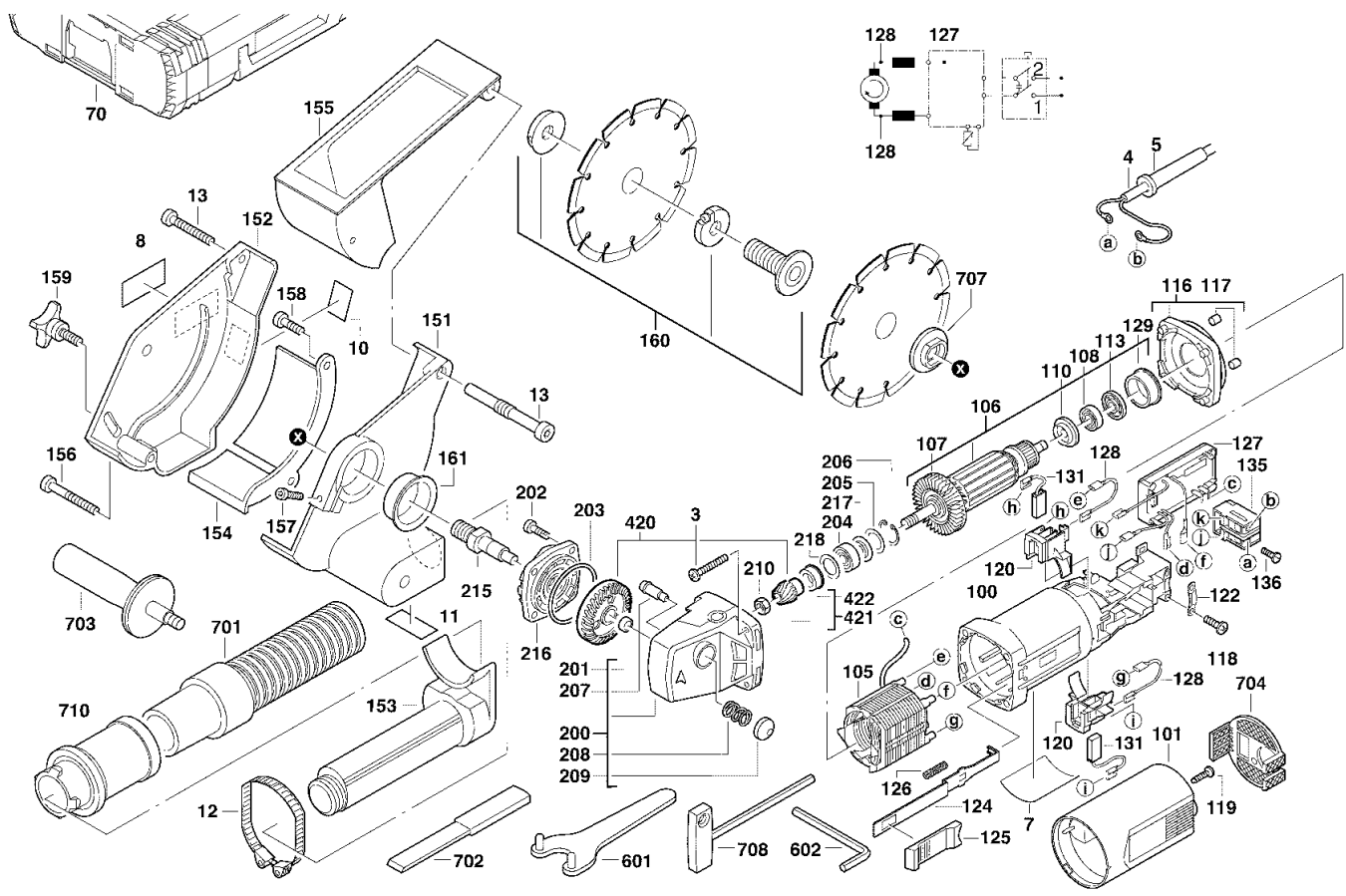
# A & M Electric Tools

# Angle Grinders

Ind	Product No.	Type	Voltage	Country
a	4000383011	DME30/0	240V	AUS

Ind	Product No.	Type	Voltage	Country

Milwaukee			
<b>DME 30/0</b>			
Exp.view No.	Version	Date	Page
4926 3830 25	0004	11.08.06	1/2



Pos	Index	Quanti	Article No.	Designation	Pos	Index	Quanti	Article No.	Designation
0003	a.....	4	4931621515	SCREW	0120	a.....	2	4931326923	BRUSH HOLDER
0004	a.....	1	4931624334	CONNECTION CABLE	0122	a.....	1	4931256500	CABLE COLLAR
0005	a.....	1	4931218785	CABLE ENTRY SLEEVE	0124	a.....	1	4931326959	GUIDE PIECE
0007	a.....	1	4931383016	RATING PLATE	0125	a.....	1	4931383014	SLIDER
0008	a.....	1	4931383017	NAME PLATE	0126	a.....	1	4931326981	PRESSURE SPRING
0010	a.....	1	4931334659	DATA PLATE	0127	a.....	1	4931362699	ELECTRONIC ELEMENT
0011	a.....	1	4931334660	DATA PLATE	0128	a.....	2	4931623738	WIRE
0012	a.....	1	4931334664	LATCH PLATE	0129	a.....	1	4931326953	BEARING SLEEVE
0013	a.....	1	4931334649	SUPPORT ROLL	0131	a.....	1	4931369477	CARBON BRUSH SET
0070	a.....	1	4932383162	CARRYING CASE	0135	a.....	1	4931326976	SWITCH
0100	a.....	1	4931383013	MOTOR HOUSING	0136	a.....	2	4931617313	SCREW
0101	a.....	1	4931362903	HOUSING CAP	0151	a.....	1	4931362747	SUCTION CAP
0105	a.....	1	4931378394	ELECTRIC FIELD	0152	a.....	1	4931334709	GUARD CAP
0106	a.....	1	4931362615	ARMATURE	0153	a.....	1	4931334710	CONNECTION
0107	a.....	1	4931341088	FAN	0154	a.....	1	4931334711	AIR DEFLECTOR RING
0108	a.....	1	4931901253	BALL BEARING	0155	a.....	1	4931334712	ALTITUDE ADJUSTMEN
0110	a.....	1	4931271823	INSULATING DISC	0156	a.....	1	4931622927	SCREW
0113	a.....	1	4931307147	MAGNETIC DISC	0157	a.....	1	4931622928	SCREW
0116	a.....	1	4931369787	INTERMEDIATE FLANG	0158	a.....	2	4931617290	SCREW
0117	a.....	2	4931271824	HOLDING-DOWN DEVIC	0159	a.....	1	4931334713	HANDLE
0118	a.....	2	4931624538	SCREW	0160	a.....	1	4931391105	TENSIONING DEVICE
0119	a.....	1	4931619914	SCREW	0161	a.....	1	4931362742	ISOLATION SLAFE

Repairs/modification and testing of electric power tools are to be carried out by specialists. The safety regulations according to DIN/VDE/CEE/AFNOR and other regulations valid in the different countries are to be observed.

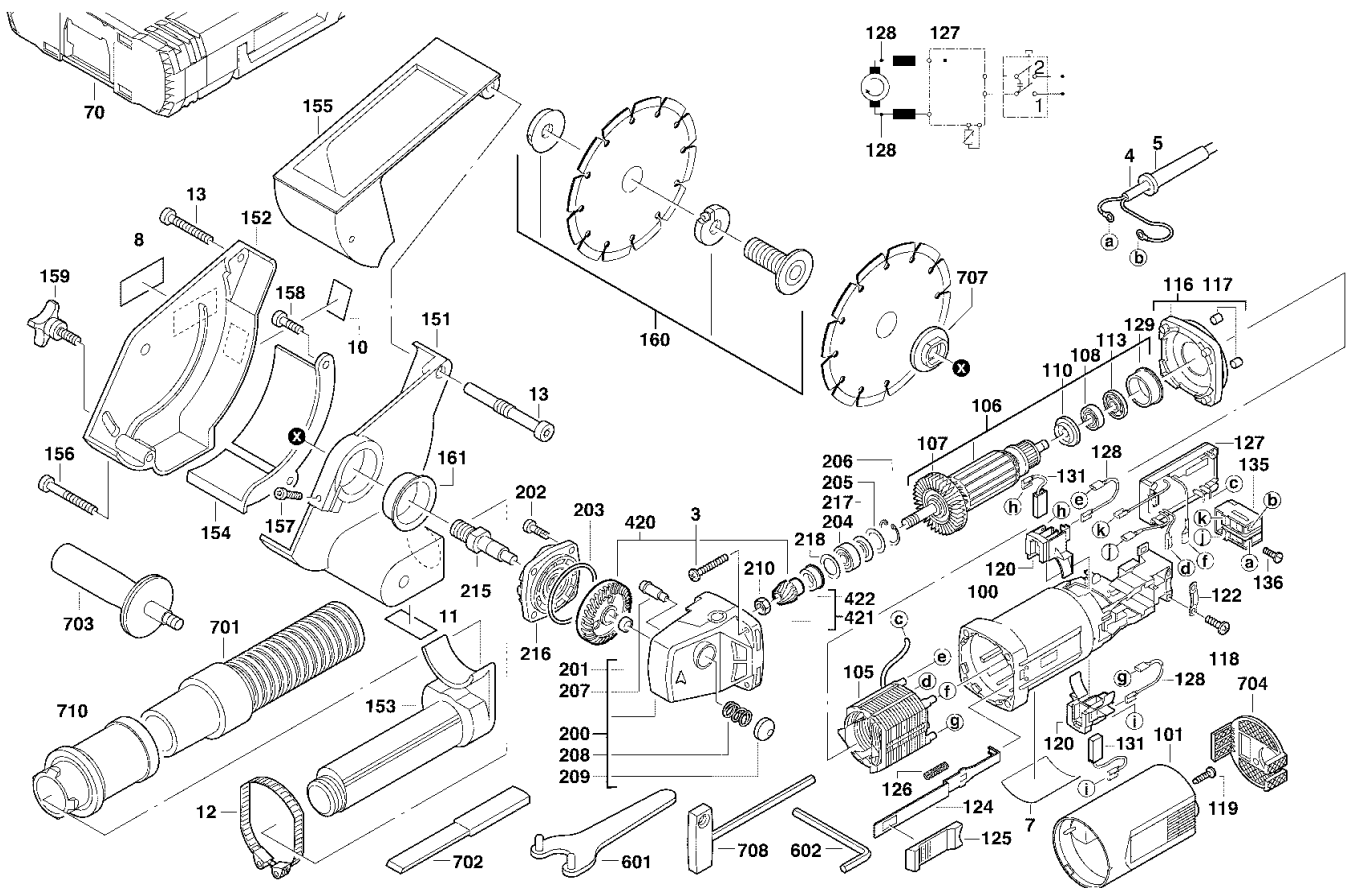
# A & M Electric Tools

# Angle Grinders

Ind	Product No.	Type	Voltage	Country
a	4000383011	DME30/0	240V	AUS

Ind	Product No.	Type	Voltage	Country

Milwaukee				
<b>DME 30/0</b>				
Exp.view No.	Version	Date	Page	
4926 3830 25	0004	11.08.06	2/2	



Pos	Index	Quanti	Article No.	Designation
0200	a.....	1	4931378964	GEAR BOX
0201	a.....	1	4931912093	SLEEVE
0202	a.....	4	4931317532	SCREW
0203	a.....	1	4931254894	COMPENSATING WASH
0204	a.....	1	4931368037	GROOVED BALL BEAR.
0205	a.....	1	4931622761	DISC
0206	a.....	1	4931616614	LOCKING RING
0207	a.....	1	4931326929	LOCKING BOLT
0208	a.....	1	4931326942	PRESSURE SPRING
0209	a.....	1	4931326930	PUSH-BUTTON
0210	a.....	1	4931326952	NUT
0215	a.....	1	4931369771	SPINDLE
0216	a.....	1	4931385801	BEARING END PLATE
0217	a.....	1	4931622009	SEAL RING
0218	a.....	1	4931362085	WASHER
0420	a.....	1	4931369887	BEVEL GEAR PAIR
0421	a.....	1	4931369773	PINION
0422	a.....	1	4931369774	SEAL RING
0601	a.....	1	4932367712	PIN SPANNER
0602	a.....	1	4931606753	SCREW DRIVER
0701	a.....	1	4932334704	SUCTION HOSE
0702	a.....	1	4932371358	BREAK-OUT CHISEL

Pos	Index	Quanti	Article No.	Designation
0703	a.....	1	4932279371	HANDLE
0704	a.....	1	4932329397	DUST PROTEC. GRILLE
0707	a.....	1	4932263299	CLAMPING FLANGE
0708	a.....	1	4931362928	T-SPANNER
0710	a.....	1	4932362778	ADAPTER

Repairs/modification and testing of electric power tools are to be carried out by specialists. The safety regulations according to DIN/VDE/CEE/AFNOR and other regulations valid in the different countries are to be observed.