

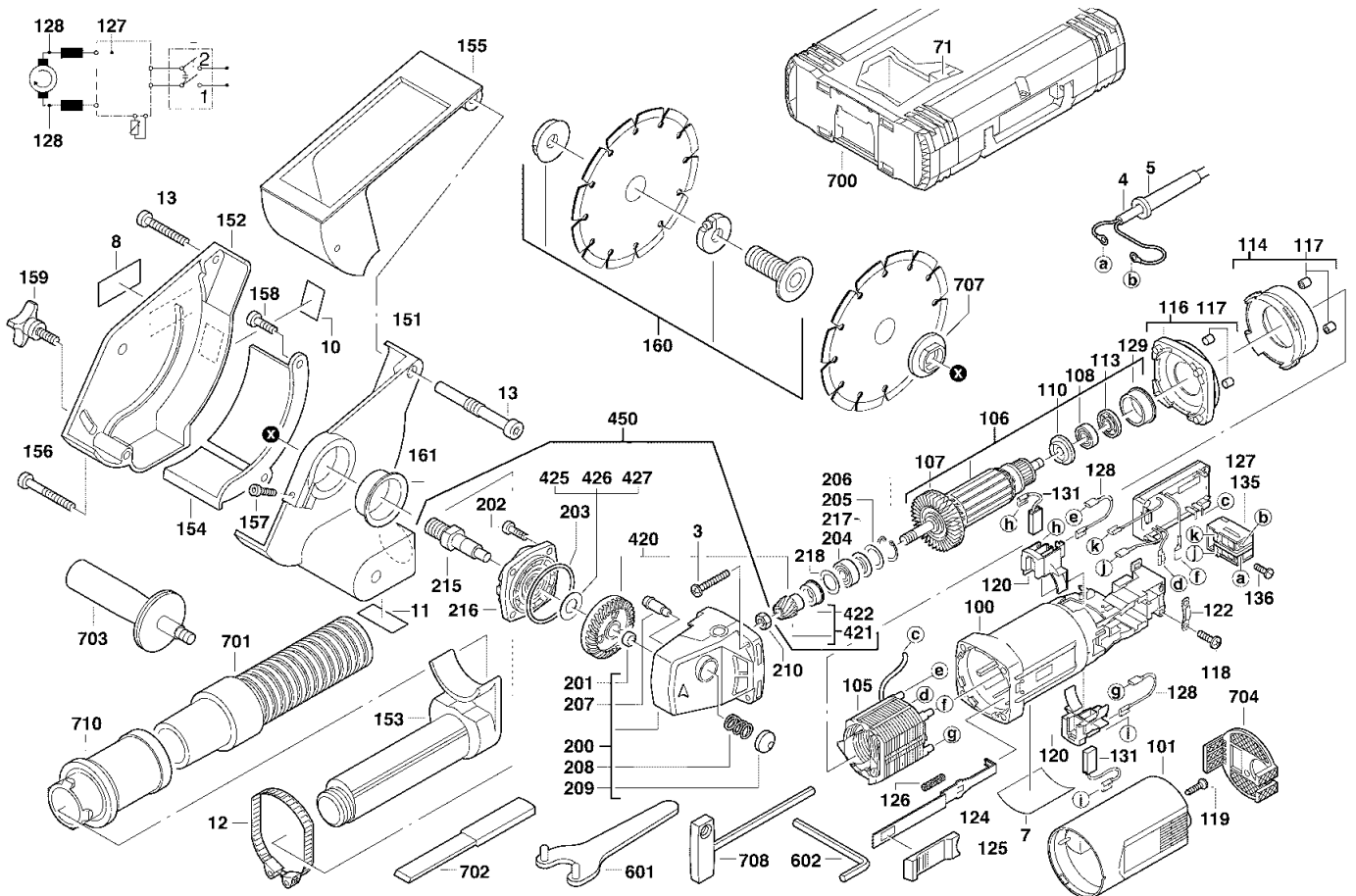
A & M Electric Tools

Ind	Product No.	Type	Voltage	Country
a	4000383851	WCE30/0	230-240V	IN2
b	4000385820	WCE30/0	240V	AUS
c	4000383856	WCE30	230-240V	IN2
d	4000383861	WCE30	110V	GB1

Angle Grinders

Milwaukee
WCE 30/0

Exp.view No. Version Date Page
4926 3838 54 0006 11.08.06 1/3



Pos	Index	Quanti	Article No.	Designation	Pos	Index	Quanti	Article No.	Designation
0003	abc.....	4	4931621515	SCREW	0106	...d.....	1	4931345481	ARMATURE
0003	...d.....	4	4931622221	SCREW	0107	abcd.....	1	4931341088	FAN
0004	a.c.....	1	4931623861	CONNECTION CABLE	0108	abc.....	1	4931624360	BALL BEARING
0004	.b.....	1	4931624334	CONNECTION CABLE	0108	...d.....	1	4931901253	BALL BEARING
0004	...d.....	1	4931623831	CONNECTION CABLE	0110	abcd.....	1	4931271823	INSULATING DISC
0005	abc.....	1	4931218785	CABLE ENTRY SLEEVE	0113	abcd.....	1	4931307147	MAGNETIC DISC
0005	...d.....	1	4931206687	CABLE ENTRY SLEEVE	0114	...d.....	1	4931326933	AIR DEFLECTOR RING
0007	a.....	1	4931383853	RATING PLATE	0116	abc.....	1	4931369787	INTERMEDIATE FLANG
0007	.b.....	1	4931385822	RATING PLATE	0117	abcd.....	2	4931271824	HOLDING-DOWN DEVIC
0007	.c.....	1	4931383858	RATING PLATE	0118	abcd.....	2	4931624538	SCREW
0007	...d.....	1	4931383864	RATING PLATE	0119	abcd.....	1	4931619914	SCREW
0008	abcd.....	1	4931383017	NAME PLATE	0120	abcd.....	2	4931326923	BRUSH HOLDER
0010	abcd.....	1	4931334659	DATA PLATE	0122	abcd.....	1	4931256500	CABLE COLLAR
0011	abcd.....	1	4931334660	DATA PLATE	0124	abcd.....	1	4931326959	GUIDE PIECE
0012	abcd.....	1	4931334664	LATCH PLATE	0125	abcd.....	1	4931383014	SLIDER
0013	abcd.....	1	4931334649	SUPPORT ROLL	0126	abcd.....	1	4931326981	PRESSURE SPRING
0071	abcd.....	1	4931378697	INSERT	0127	abc.....	1	4931362699	ELECTRONIC ELEMENT
0100	abcd.....	1	4931383013	MOTOR HOUSING	0127	...d.....	1	4931334228	ELECTRONIC ELEMENT
0101	abcd.....	1	4931362903	HOUSING CAP	0128	abc.....	2	4931623738	WIRE
0105	abc.....	1	4931378394	ELECTRIC FIELD	0128	...d.....	2	4931623739	WIRE
0105	...d.....	1	4931334226	ELECTRIC FIELD	0129	abcd.....	1	4931326953	BEARING SLEEVE
0106	abc.....	1	4931362615	ARMATURE	0131	abc.....	1	4931369477	CARBON BRUSH SET

Repairs/modification and testing of electric power tools are to be carried out by specialists. The safety regulations according to DIN/VDE/CEE/AFNOR and other regulations valid in the different countries are to be observed.

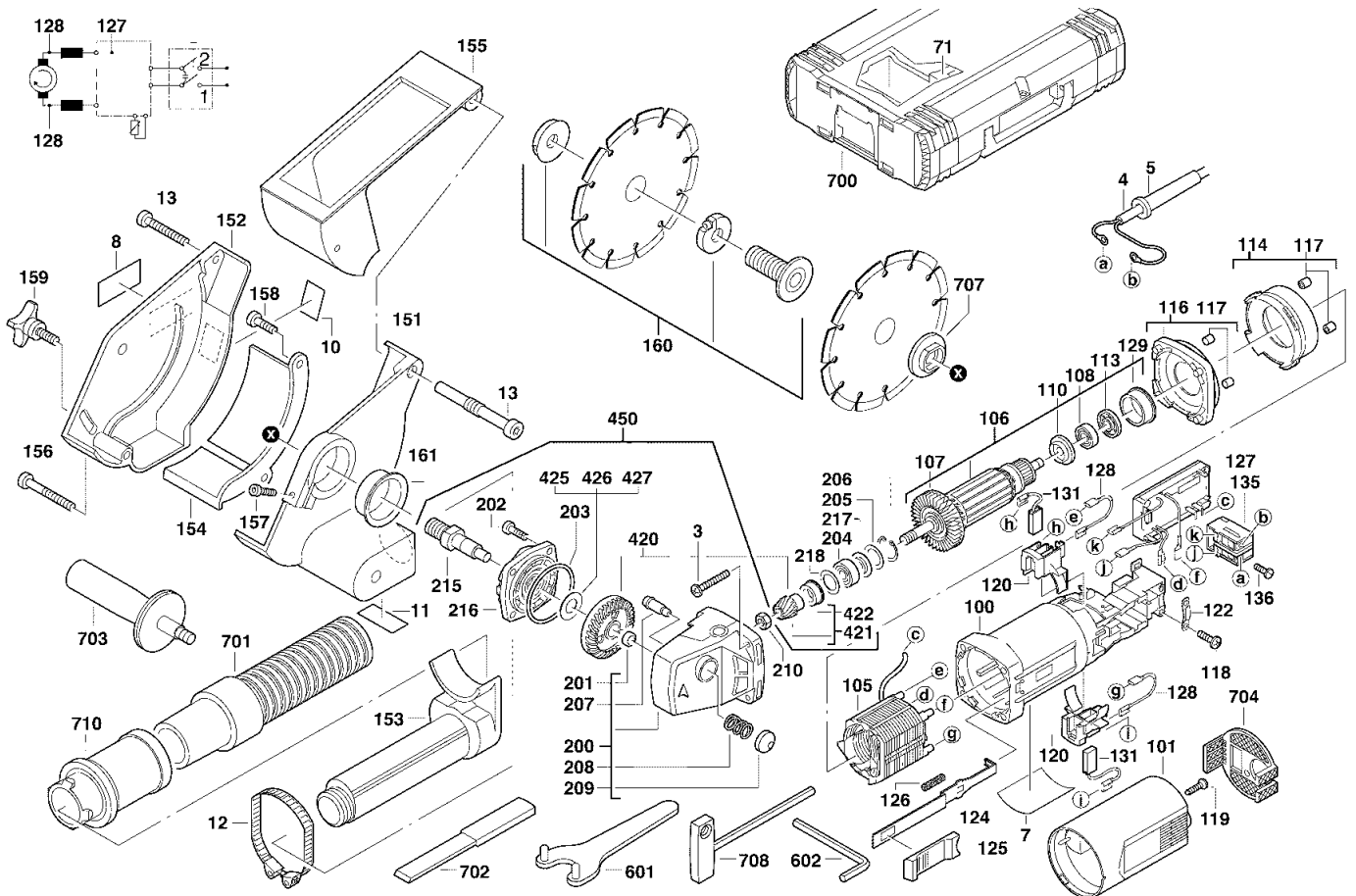
A & M Electric Tools

Ind	Product No.	Type	Voltage	Country
a	4000383851	WCE30/0	230-240V	IN2
b	4000385820	WCE30/0	240V	AUS
c	4000383856	WCE30	230-240V	IN2
d	4000383861	WCE30	110V	GB1

Angle Grinders

Milwaukee
WCE 30/0

Exp.view No. Version Date Page
4926 3838 54 0006 11.08.06 2/3



Pos	Index	Quanti	Article No.	Designation	Pos	Index	Quanti	Article No.	Designation
0131	...d.....	1	4931392592	CARBON BRUSH SET	0208	abcd.....	1	4931326942	PRESSURE SPRING
0135	abcd.....	1	4931326976	SWITCH	0209	abcd.....	1	4931326930	PUSH-BUTTON
0136	abcd.....	2	4931617313	SCREW	0210	abcd.....	1	4931326952	NUT
0151	abcd.....	1	4931362747	SUCTION CAP	0215	abcd.....	1	4931369771	SPINDLE
0152	abcd.....	1	4931334709	GUARD CAP	0216	abcd.....	1	4931385801	BEARING END PLATE
0153	abcd.....	1	4931334710	CONNECTION	0217	abcd.....	1	4931624287	WASHER
0154	abcd.....	1	4931334711	AIR DEFLECTOR RING	0218	abcd.....	1	4931362085	WASHER
0155	abcd.....	1	4931334712	ALTITUDE ADJUSTMEN	0420	abcd.....	1	4931369887	BEVEL GEAR PAIR
0156	abcd.....	1	4931622927	SCREW	0421	abcd.....	1	4931369773	PINION
0157	abcd.....	1	4931622928	SCREW	0422	abcd.....	1	4931369774	SEAL RING
0158	abcd.....	2	4931617290	SCREW	0425	abcd.....	1	4931808473	DISC
0159	abcd.....	1	4931334713	HANDLE	0426	abcd.....	1	4931925940	DISC
0160	abcd.....	1	4931391105	TENSIONING DEVICE	0427	abcd.....	1	4931624256	DISC
0161	abcd.....	1	4931362742	ISOLATION SLAFE	0450	abcd.....	1	4931391477	DRIVE GEAR
0200	abcd.....	1	4931378964	GEAR BOX	0601	abcd.....	1	4932367712	PIN SPANNER
0201	abcd.....	1	4931912093	SLEEVE	0602	abcd.....	1	4931606753	SCREW DRIVER
0202	abcd.....	4	4931317532	SCREW	0700	abcd.....	1	4932383162	CARRYING CASE
0203	abcd.....	1	4931254894	COMPENSATING WASH	0701	abcd.....	1	4932334704	SUCTION HOSE
0204	abcd.....	1	4931368037	GROOVED BALL BEAR.	0702	abcd.....	1	4932371358	BREAK-OUT CHISEL
0205	abcd.....	1	4931622761	DISC	0703	abcd.....	1	4932279371	HANDLE
0206	abcd.....	1	4931616614	LOCKING RING	0704	abcd.....	1	4932329397	DUST PROTEC. GRILLE
0207	abcd.....	1	4931326929	LOCKING BOLT	0707	abcd.....	1	4932263299	CLAMPING FLANGE

Repairs/modification and testing of electric power tools are to be carried out by specialists. The safety regulations according to DIN/VDE/CEE/AFNOR and other regulations valid in the different countries are to be observed.

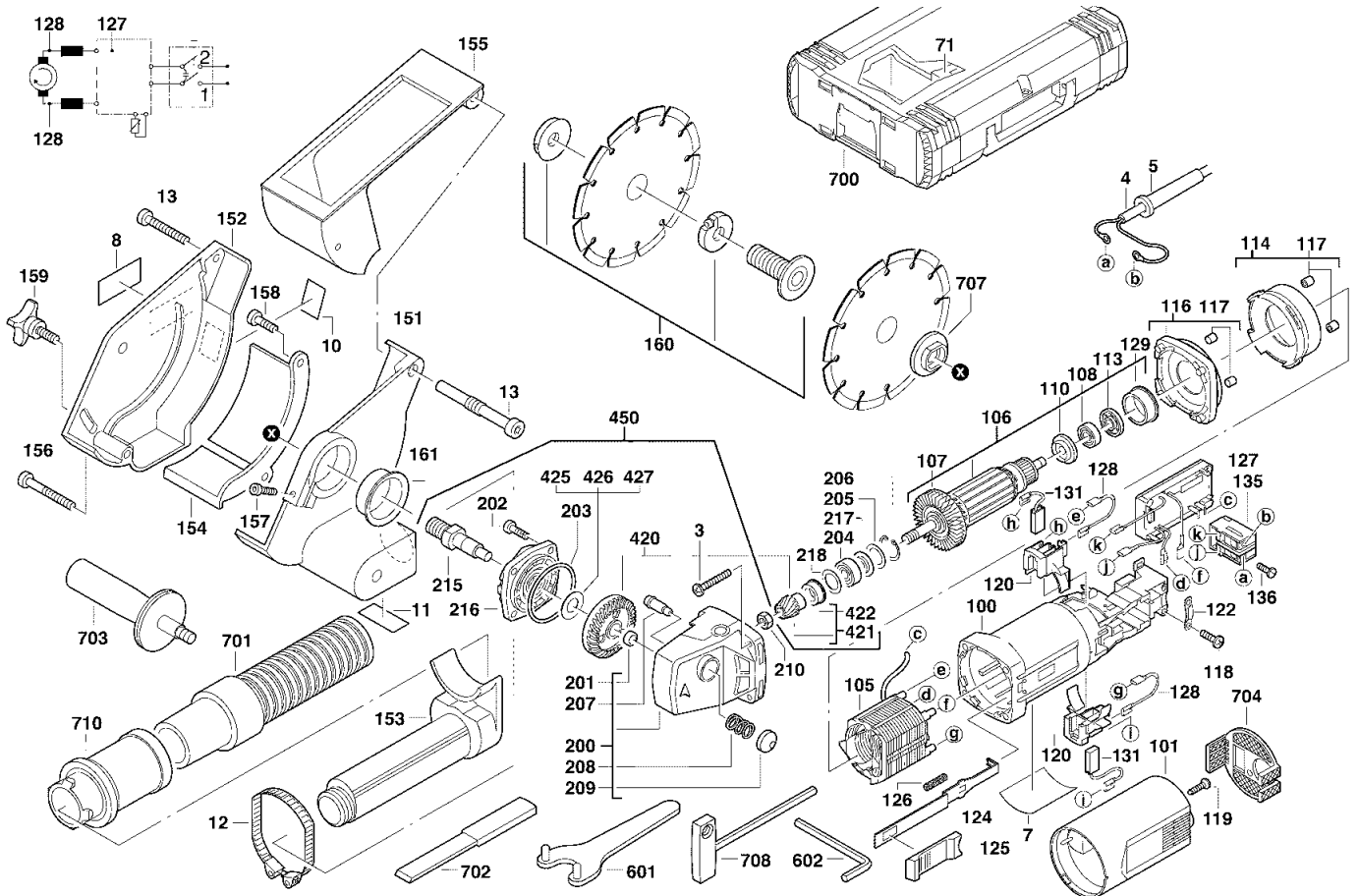
A & M Electric Tools

Ind	Product No.	Type	Voltage	Country
a	4000383851	WCE30/0	230-240V	IN2
b	4000385820	WCE30/0	240V	AUS
c	4000383856	WCE30	230-240V	IN2
d	4000383861	WCE30	110V	GB1

Angle Grinders

Milwaukee
WCE 30/0

Exp.view No. Version Date Page
4926 3838 54 0006 11.08.06 3/3



Pos	Index	Quanti	Article No.	Designation
0708	abcd.....	1	4931362928	T-SPANNER
0710	abcd.....	1	4932362778	ADAPTER

Pos	Index	Quanti	Article No.	Designation
-----	-------	--------	-------------	-------------