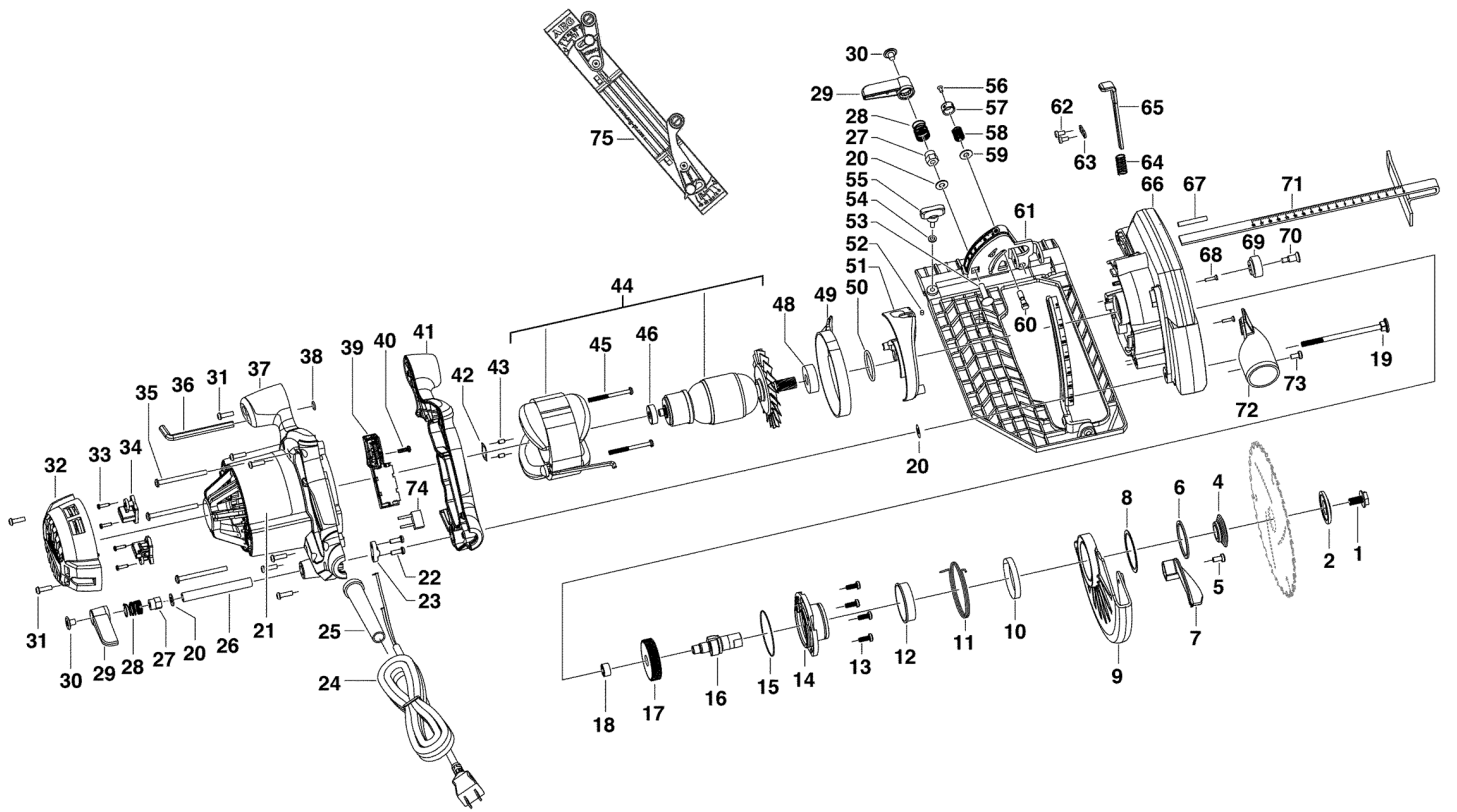
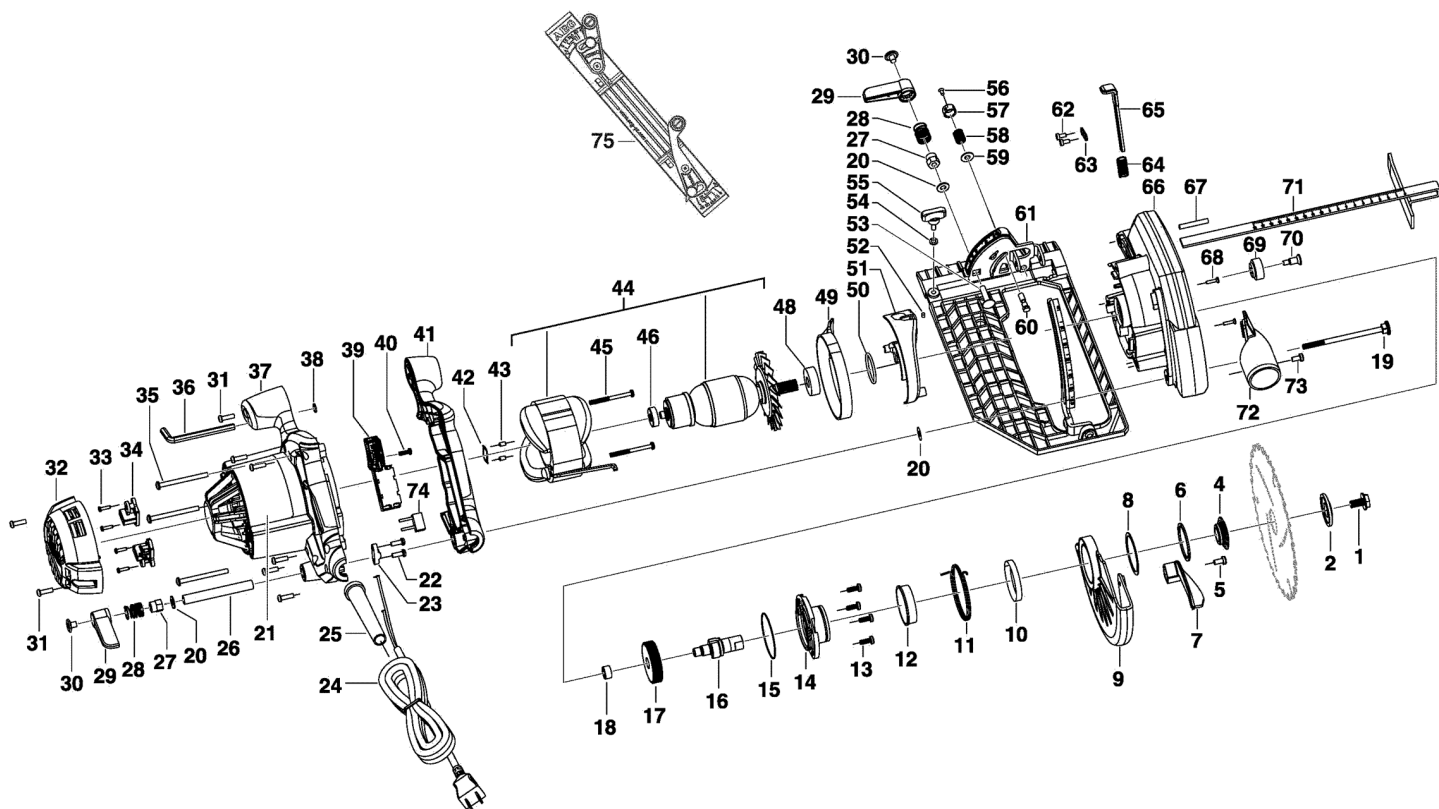


CIRCULAR SAW

4933419225 - CS60 - 4000419226





| Position | Quantity | Description | Part number | EAN |
|----------|----------|--------------------|-------------|---------------|
| 0001 | 1 | SCREW | 660988001 | 4002395903795 |
| 0002 | 1 | FLANGE | 692256001 | 4002395903962 |
| 0004 | 1 | FLANGE | 692254001 | 4002395903955 |
| 0005 | 1 | SCREW | 660151005 | 4002395903696 |
| 0006 | 1 | RETAINING RING | 680778003 | 4002395903863 |
| 0007 | 1 | LEVER | 519250002 | 4002395899784 |
| 0008 | 1 | WASHER | 631876003 | 4002395903610 |
| 0009 | 1 | BUSH | 641519004 | 4002395903672 |
| 0010 | 1 | BUSH | 632371003 | 4002395903627 |
| 0011 | 1 | SPRING | 692038003 | 4002395903948 |
| 0012 | 1 | BUSH | 514310001 | 4002395903412 |
| 0013 | 1 | SCREW | 660997001 | 4002395895083 |
| 0014 | 1 | GUARD | 516867002 | 4002395903443 |
| 0015 | 1 | O-RING | 561489001 | 4002395903504 |
| 0016 | 1 | SPINDLE | 620536001 | 4002395903580 |
| 0017 | 1 | PINION | 610641001 | 4002395903573 |
| 0018 | 1 | NEEDLE BEARING | 671774002 | 4002395903856 |
| 0019 | 1 | BOLT | 660842001 | 4002395903764 |
| 0020 | 1 | SWITCH LEVER | 691142001 | 4002395903924 |
| 0021 | 1 | RATING PLATE | 940045452 | 4002395904006 |
| 0022 | 1 | SCREW | 660024045 | 4002395903689 |
| 0024 | 1 | CONNECTION CABLE | 201531004 | 4002395903313 |
| 0025 | 1 | CABLE ENTRY SLEEVE | 561487001 | 4002395903481 |
| 0026 | 1 | SPINDLE | 631686001 | 4002395903597 |
| 0027 | 1 | NUT | 660841002 | 4002395903757 |
| 0028 | 1 | LEVER | 681035001 | 4002395903887 |
| 0029 | 1 | LEVER | 513965004 | 4002395903399 |
| 0030 | 1 | SCREW | 660993002 | 4002395903801 |
| 0031 | 1 | SCREW | 660982001 | 4002395829941 |
| 0032 | 1 | COVER | 351257001 | 4002395903375 |
| 0033 | 1 | SCREW | 660203060 | 4002395903719 |
| 0034 | 1 | CARBON BRUSH SET | 290365001 | 4002395903344 |
| 0035 | 1 | SCREW | 661153002 | 4002395903818 |
| 0036 | 1 | SPANNER | 681231001 | 4002395795130 |
| 0037 | 1 | MOTOR HOUSING | 521255001 | 4002395903467 |
| 0038 | 1 | O-RING | 562326001 | 4002395903566 |
| 0039 | 1 | SWITCH | 760405005 | 4002395903993 |
| 0040 | 1 | SCREW | 660208037 | 4002395903733 |
| 0041 | 1 | HOUSING | 521256001 | 4002395903474 |
| 0042 | 1 | SPRING | 681108001 | 4002395903917 |
| 0043 | 1 | PLUG | 550339001 | 4002395760527 |
| 0044 | 1 | MOTOR | 290396003 | 4002395905706 |
| 0045 | 1 | SCREW | 660986001 | 4002395903788 |
| 0046 | 1 | BALL BEARING | 681100001 | 4002395903900 |
| 0048 | 1 | BALL BEARING | 681102001 | 4002395903290 |
| 0049 | 1 | COVER | 516847002 | 4002395903429 |
| 0050 | 1 | O-RING | 561488001 | 4002395903498 |
| 0051 | 1 | SPRING | 516848002 | 4002395903436 |
| 0052 | 1 | SCREW | 660066005 | 4002395903283 |
| 0053 | 1 | BOLT | 660858003 | 4002395903771 |

| Position | Quantité | Désignation | Référence | EAN |
|-----------------|-----------------|--------------------|------------------|---------------|
| 0054 | 1 | NEEDLE BEARING | 671237002 | 4002395903849 |
| 0055 | 1 | LOCKING BOLT | 511129004 | 4002395903382 |
| 0056 | 1 | SCREW | 661197002 | 4002395903825 |
| 0057 | 1 | COVER | 340061002 | 4002395903368 |
| 0058 | 1 | SPRING | 681036001 | 4002395903894 |
| 0059 | 1 | WASHER | 513967001 | 4002395903405 |
| 0060 | 1 | PIN | 631687001 | 4002395903603 |
| 0061 | 1 | BASE PLATE | 302431005 | 4002395903351 |
| 0062 | 1 | SCREW | 660208094 | 4002395903740 |
| 0063 | 1 | CLAMP | 632425001 | 4002395903634 |
| 0064 | 1 | SPRING | 692037001 | 4002395903931 |
| 0065 | 1 | SPINDLE LOCK | 633375001 | 4002395903641 |
| 0066 | 1 | GUARD CAP | 641280002 | 4002395903665 |
| 0067 | 1 | ROLL | 680980004 | 4002395903870 |
| 0068 | 1 | SCREW | 660204009 | 4002395903726 |
| 0069 | 1 | RUBBER STOP | 561984001 | 4002395903559 |
| 0070 | 1 | SCREW | 661245002 | 4002395903832 |
| 0071 | 1 | STOP | 633402001 | 4002395903658 |
| 0072 | 1 | ADAPTER | 519211001 | 4002395903450 |
| 0073 | 1 | SCREW | 660165011 | 4002395903702 |
| 0074 | 1 | CAPACITOR | 290244021 | 4002395903337 |
| 0075 | 1 | ADAPTER | 4931416518 | 4002395828807 |