

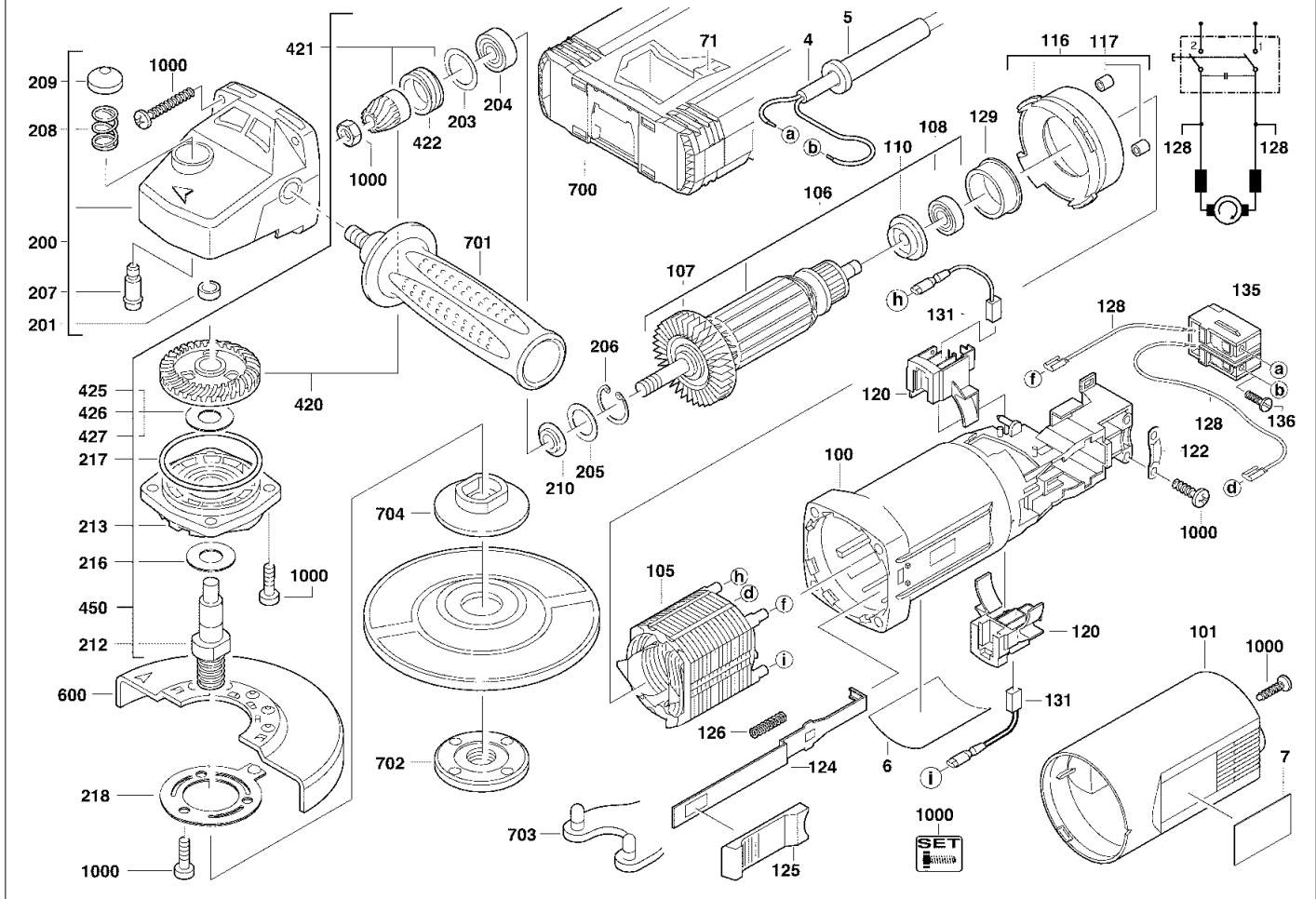
A & M Electric Tools

Angle Grinders

Ind Product No.	Type	Voltage	Country
a 4000403451	AG12-125	220-240V	IN2

Ind Product No.	Type	Voltage	Country

Milwaukee			
AG 12-125			
Exp.view No.	Version	Date	Page
4926 4034 52	0002	12.07.06	1/2



Pos	Index	Quanti	Article No.	Designation	Pos	Index	Quanti	Article No.	Designation
0004	a.....	1	4931623861	CONNECTION CABLE	0135	a.....	1	4931326976	SWITCH
0005	a.....	1	4931218785	CABLE ENTRY SLEEVE	0136	a.....	2	4931617313	SCREW
0006	a.....	1	4931403455	RATING PLATE	0200	a.....	1	4931378964	GEAR BOX
0007	a.....	1	4931382311	NAME PLATE	0201	a.....	1	4931912093	SLEEVE
0071	a.....	1	4931378535	INSERT	0203	a.....	1	4931362085	WASHER
0100	a.....	1	4931383013	MOTOR HOUSING	0204	a.....	1	4931368037	GROOVED BALL BEAR.
0101	a.....	1	4931362903	HOUSING CAP	0205	a.....	1	4931622761	DISC
0105	a.....	1	4931369044	ELECTRIC FIELD	0206	a.....	1	4931616614	LOCKING RING
0106	a.....	1	4931362685	ARMATURE	0207	a.....	1	4931326929	LOCKING BOLT
0107	a.....	1	4931341088	FAN	0208	a.....	1	4931326942	PRESSURE SPRING
0108	a.....	1	4931624360	BALL BEARING	0209	a.....	1	4931326930	PUSH-BUTTON
0110	a.....	1	4931271823	INSULATING DISC	0210	a.....	1	4931624287	WASHER
0116	a.....	1	4931369787	INTERMEDIATE FLANG	0212	a.....	1	4931369770	SPINDLE
0117	a.....	2	4931271824	HOLDING-DOWN DEVIC	0213	a.....	1	4931378310	BEARING END PLATE
0120	a.....	2	4931326923	BRUSH HOLDER	0216	a.....	1	4931623480	DISC
0122	a.....	1	4931256500	CABLE COLLAR	0217	a.....	1	4931623590	SEAL RING
0124	a.....	1	4931326959	GUIDE PIECE	0218	a.....	1	4931345965	SPRING WASHER
0125	a.....	1	4931383014	SLIDER	0420	a.....	1	4931369937	BEVEL GEAR PAIR
0126	a.....	1	4931326981	PRESSURE SPRING	0421	a.....	1	4931369934	PINION
0128	a.....	2	4931623735	WIRE	0422	a.....	1	4931369774	SEAL RING
0129	a.....	1	4931326953	BEARING SLEEVE	0425	a.....	1	4931808473	DISC
0131	a.....	1	4931381391	CARBON BRUSH SET	0426	a.....	1	4931925940	DISC

Repairs/modification and testing of electric power tools are to be carried out by specialists. The safety regulations according to DIN/VDE/CEE/AFNOR and other regulations valid in the different countries are to be observed.

