

A & M Electric Tools

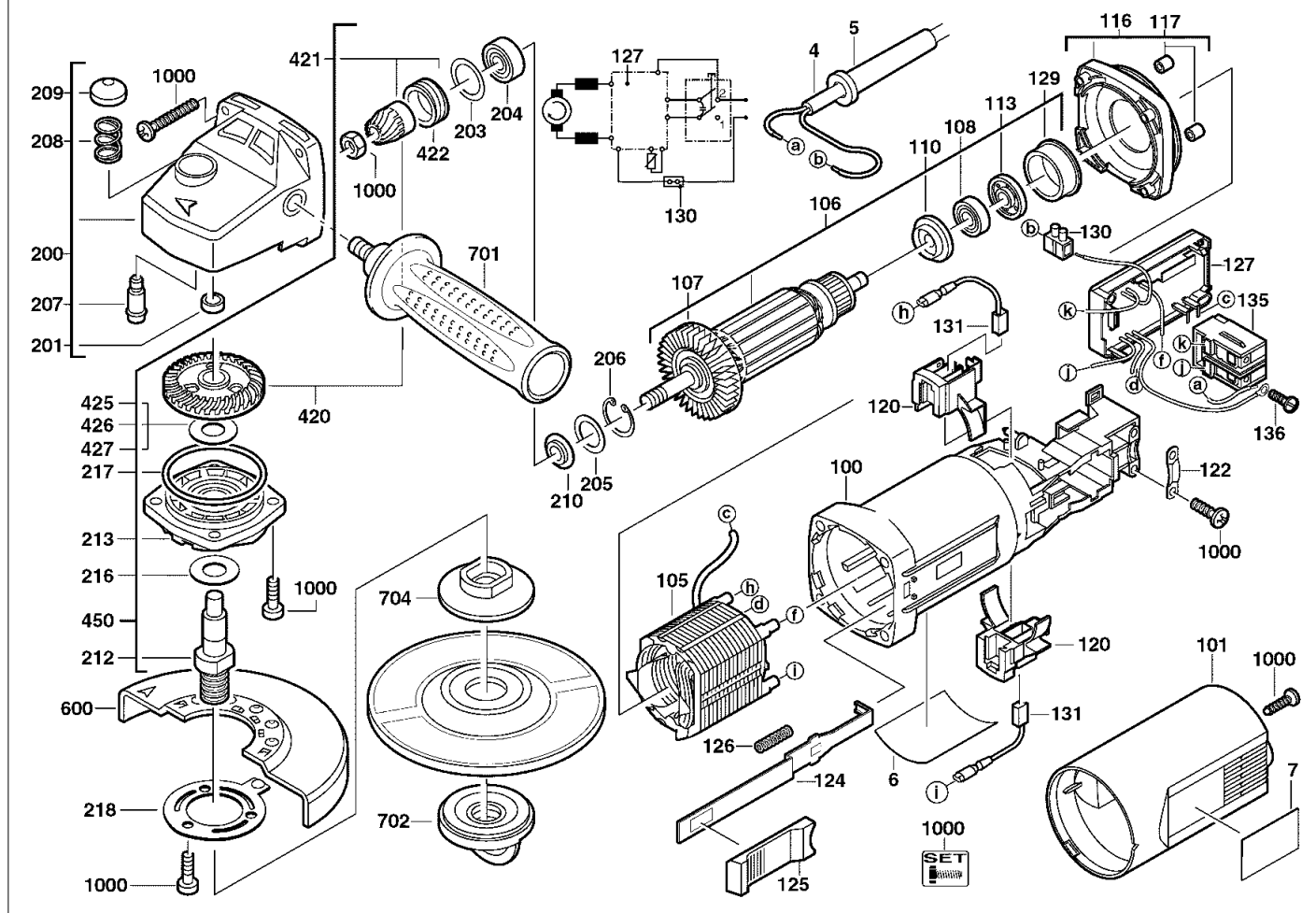
Angle Grinders

Milwaukee

AG 15-125 XC

Exp.view No. Version Date Page
4926 3815 47 0003 04.10.04 1/2

Ind	Product No.	Type	Voltage	Country	Ind	Product No.	Type	Voltage	Country
a	4000381546	AG15-125	220-240V	IN2					



Pos	Index	Quanti	Article No.	Designation	Pos	Index	Quanti	Article No.	Designation
0004	a.....	1	4931623861	CONNECTION CABLE	0131	a.....	1	4931381391	CARBON BRUSH SET
0005	a.....	1	4931218785	CABLE ENTRY SLEEVE	0135	a.....	1	4931326976	SWITCH
0006	a.....	1	4931381548	RATING PLATE	0136	a.....	1	4931617313	SCREW
0007	a.....	1	4931382311	NAME PLATE	0200	a.....	1	4931378964	GEAR BOX
0100	a.....	1	4931383013	MOTOR HOUSING	0201	a.....	1	4931912093	SLEEVE
0101	a.....	1	4931362903	HOUSING CAP	0203	a.....	1	4931362085	WASHER
0105	a.....	1	4931378394	ELECTRIC FIELD	0204	a.....	1	4931368037	GROOVED BALL BEAR.
0106	a.....	1	4931362615	ARMATURE	0205	a.....	1	4931622761	DISC
0107	a.....	1	4931341088	FAN	0206	a.....	1	4931616614	LOCKING RING
0108	a.....	1	4931624360	BALL BEARING	0207	a.....	1	4931326929	LOCKING BOLT
0110	a.....	1	4931271823	INSULATING DISC	0208	a.....	1	4931326942	PRESSURE SPRING
0113	a.....	1	4931307147	MAGNETIC DISC	0209	a.....	1	4931326930	PUSH-BUTTON
0116	a.....	1	4931369787	INTERMEDIATE FLANG	0210	a.....	1	4931624287	WASHER
0117	a.....	2	4931271824	HOLDING-DOWN DEVIC	0212	a.....	1	4931369770	SPINDLE
0120	a.....	2	4931326923	BRUSH HOLDER	0213	a.....	1	4931378310	BEARING END PLATE
0122	a.....	1	4931256500	CABLE COLLAR	0216	a.....	1	4931623480	DISC
0124	a.....	1	4931326959	GUIDE PIECE	0217	a.....	1	4931623590	SEAL RING
0125	a.....	1	4931383014	SLIDER	0218	a.....	1	4931345965	SPRING WASHER
0126	a.....	1	4931326981	PRESSURE SPRING	0420	a.....	1	4931369937	BEVEL GEAR PAIR
0127	a.....	1	4931362676	ELECTRONIC ELEMENT	0421	a.....	1	4931369934	PINION
0129	a.....	1	4931326953	BEARING SLEEVE	0422	a.....	1	4931369774	SEAL RING
0130	a.....	1	4931341008	TERMINAL STRIP	0425	a.....	1	4931808473	DISC

Repairs/modification and testing of electric power tools are to be carried out by specialists. The safety regulations according to DIN/VDE/CEE/AFNOR and other regulations valid in the different countries are to be observed.

A & M Electric Tools

Angle Grinders

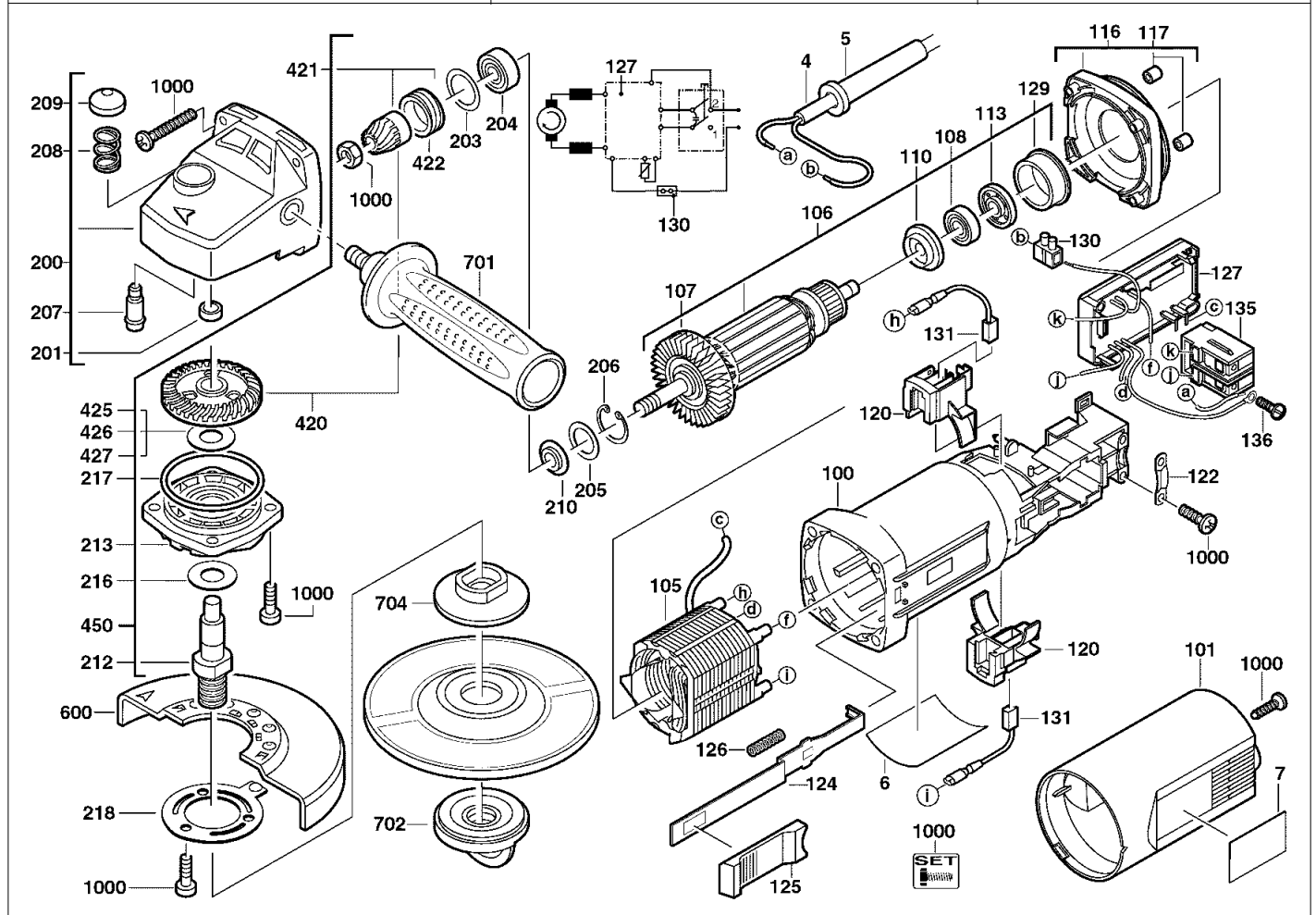
Milwaukee

AG 15-125 XC

Exp.view No. Version Date Page
 4926 3815 47 0003 04.10.04 2/2

Ind	Product No.	Type	Voltage	Country
a	4000381546	AG15-125	220-240V	IN2

Ind	Product No.	Type	Voltage	Country



Pos	Index	Quanti	Article No.	Designation
0426	a.....	1	4931925940	DISC
0427	a.....	1	4931624256	DISC
0450	a.....	1	4931391476	DRIVE GEAR
0600	a.....	1	4931378168	GUARD CAP
0701	a.....	1	4932279371	HANDLE
0702	a.....	1	4932358225	FIXTEC NUT
0704	a.....	1	4932263299	CLAMPING FLANGE
1000	a.....	1	4931362846	BOLT SET

Pos	Index	Quanti	Article No.	Designation

Repairs/modification and testing of electric power tools are to be carried out by specialists. The safety regulations according to DIN/VDE/CEE/AFNOR and other regulations valid in the different countries are to be observed.