

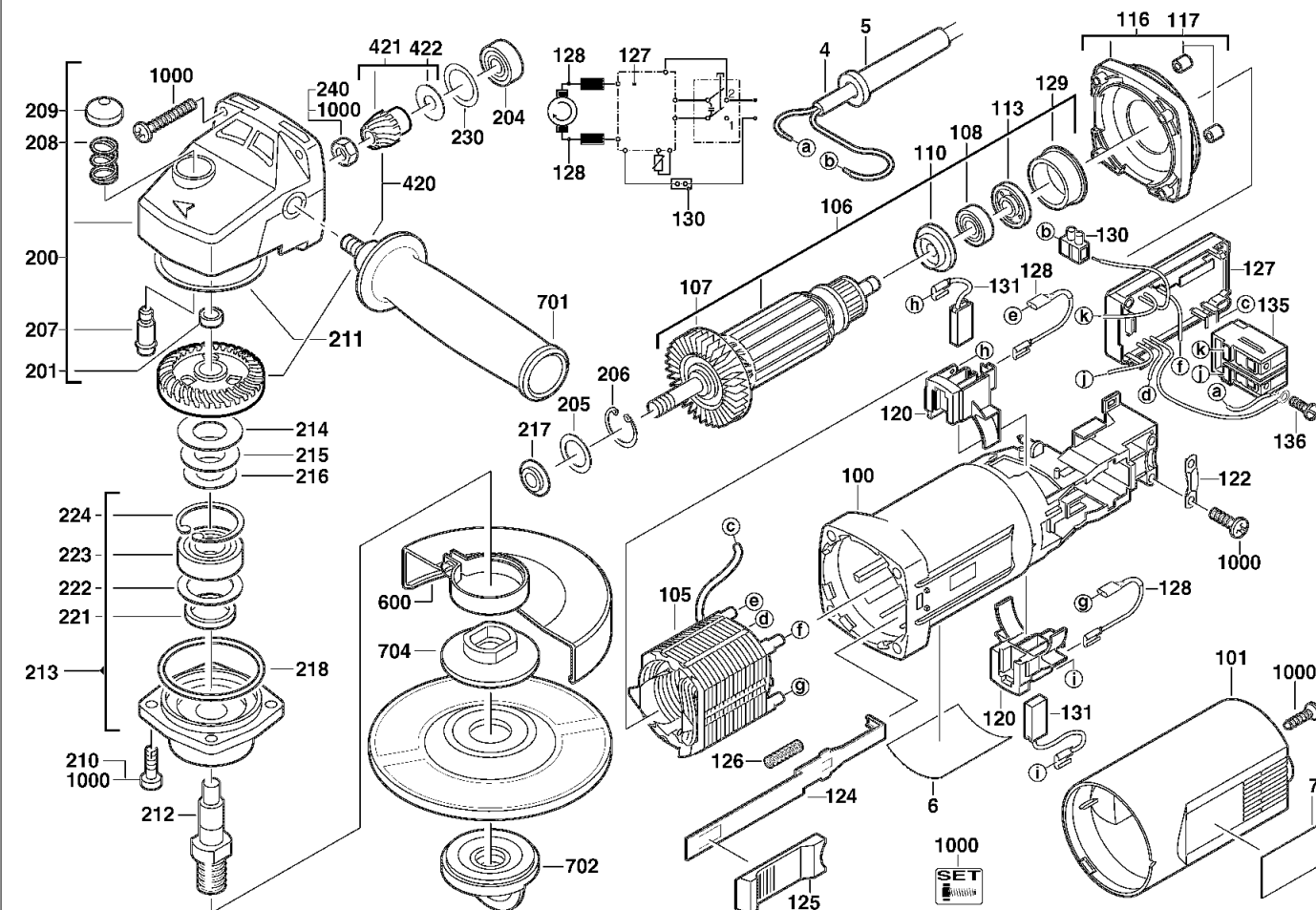
A & M Electric Tools

Ind	Product No.	Type	Voltage	Country
a	4000369001	AG1500-180XC	220-240V	IN2
b	4000369757	AG1500-180XC	220-240V	AUS

Angle Grinders

Atlas Copco
AG1500-180XC

Exp.view No. Version Date Page
4926 3690 07 0009 14.03.02 1/2



Pos	Index	Quanti	Article No.	Designation	Pos	Index	Quanti	Article No.	Designation
0004	a.....	1	4931623861	CONNECTION CABLE	0128	ab.....	2	4931623738	WIRE
0004	.b.....	1	4931624333	CONNECTION CABLE	0129	ab.....	1	4931326953	BEARING SLEEVE
0005	ab.....	1	4931218785	CABLE ENTRY SLEEVE	0130	ab.....	1	4931341008	TERMINAL STRIP
0006	a.....	1	4931369009	RATING PLATE	0131	ab.....	1	4931369477	CARBON BRUSH SET
0006	.b.....	1	4931369758	RATING PLATE	0135	ab.....	1	4931326976	SWITCH
0007	ab.....	1	4931355134	DATA PLATE	0136	ab.....	1	4931617313	SCREW
0100	ab.....	1	4931326911	HOUSING	0200	ab.....	1	4931369768	GEAR BOX
0101	ab.....	1	4931326966	HOUSING CAP	0201	ab.....	1	4931912093	SLEEVE
0105	ab.....	1	4931378394	ELECTRIC FIELD	0204	ab.....	1	4931368037	GROOVED BALL BEAR.
0106	ab.....	1	4931362959	ARMATURE	0205	ab.....	1	4931622761	DISC
0107	ab.....	1	4931341088	FAN	0206	ab.....	1	4931616614	LOCKING RING
0108	ab.....	1	4931901253	BALL BEARING	0207	ab.....	1	4931326929	LOCKING BOLT
0110	ab.....	1	4931271823	INSULATING DISC	0208	ab.....	1	4931326942	PRESSURE SPRING
0113	ab.....	1	4931307147	MAGNETIC DISC	0209	ab.....	1	4931326930	PUSH-BUTTON
0116	ab.....	1	4931362611	INTERMEDIATE FLANG	0210	ab.....	4	4931317532	SCREW
0117	ab.....	1	4931271824	HOLDING-DOWN DEVIC	0211	ab.....	1	4931254894	COMPENSATING WASH
0120	ab.....	2	4931326923	BRUSH HOLDER	0212	ab.....	1	4931362999	SPINDLE
0122	ab.....	1	4931256500	CABLE COLLAR	0213	ab.....	1	4931362079	BEARING END PLATE
0124	ab.....	1	4931326959	GUIDE PIECE	0214	ab.....	1	4931623862	DISC
0125	ab.....	1	4931362904	SLIDER	0215	ab.....	1	4931925940	DISC
0126	ab.....	1	4931326981	PRESSURE SPRING	0216	ab.....	1	4931808473	DISC
0127	ab.....	1	4931362676	ELECTRONIC ELEMENT	0217	ab.....	1	4931622009	SEAL RING

Repairs/modification and testing of electric power tools are to be carried out by specialists. The safety regulations according to DIN/VDE/CEE/AFNOR and other regulations valid in the different countries are to be observed.

A & M Electric Tools

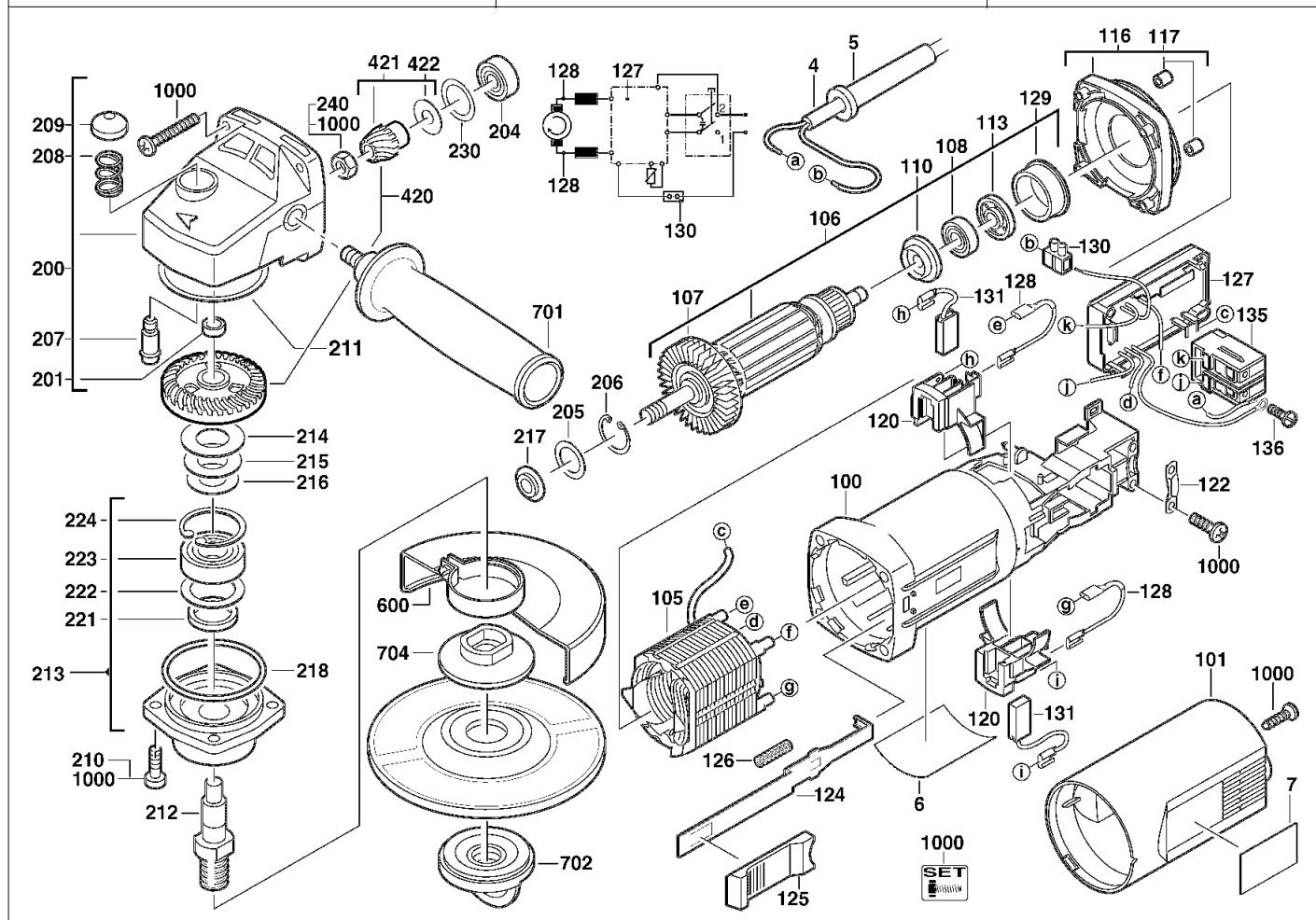
Angle Grinders

Ind	Product No.	Type	Voltage	Country
a	4000369001	AG1500-180XC	220-240V	IN2
b	4000369757	AG1500-180XC	220-240V	AUS

Ind	Product No.	Type	Voltage	Country

Atlas Copco
AG1500-180XC

Exp.view No. Version Date Page
4926 3690 07 0009 14.03.02 2/2



Pos	Index	Quanti	Article No.	Designation
0218	ab.....	1	4931623679	SEAL RING
0221	ab.....	1	4931623655	SEAL RING
0222	ab.....	1	4931621817	COMPENSATING WASH
0223	ab.....	1	4931623908	BALL BEARING
0224	ab.....	1	4931920048	LOCKING RING
0230	ab.....	1	4931362085	WASHER
0240	ab.....	1	4931325518	NUT
0420	ab.....	1	4931407029	BEVEL GEAR PAIR
0421	ab.....	1	4931369498	PINION
0422	ab.....	1	4931362086	WASHER
0600	ab.....	1	4931383145	GUARD CAP
0701	ab.....	1	4931369805	HOLDING GRIP
0702	ab.....	1	4932358225	FIXTEC NUT
0704	ab.....	1	4932263299	CLAMPING FLANGE
1000	ab.....	1	4931378054	CONNECTOR

Pos	Index	Quanti	Article No.	Designation