

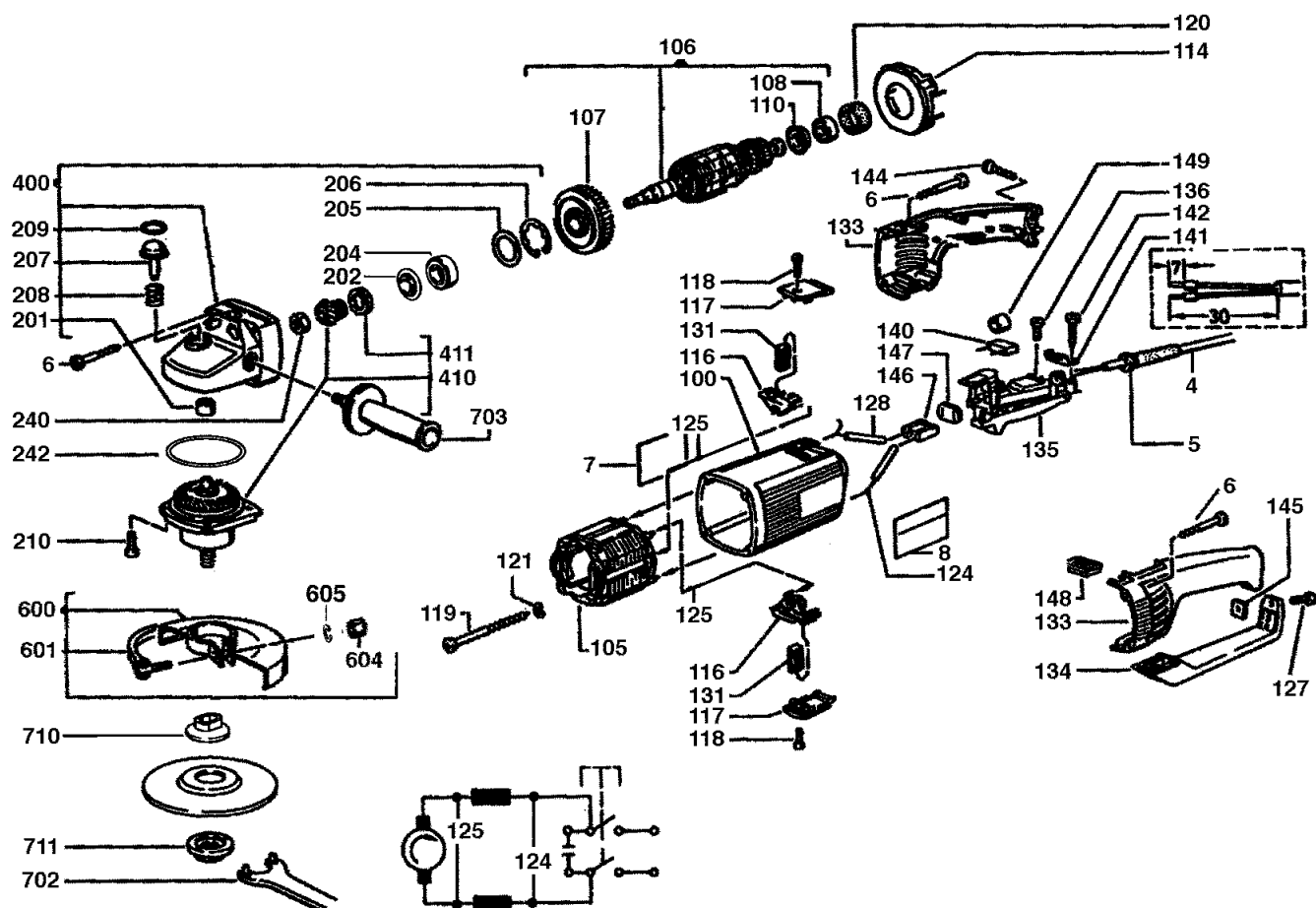
# A & M Electric Tools

# Angle Grinders

Ind	Product No.	Type	Voltage	Country
a	4000383876	AG20-180	220-240V	IN2

Ind	Product No.	Type	Voltage	Country

Milwaukee			
AG 20-180			
Exp.view No.	Version	Date	Page
4926 3838 79	0004	14.03.05	1/2



Pos	Index	Quanti	Article No.	Designation	Pos	Index	Quanti	Article No.	Designation
0004	a	1	4931623311	CONNECTION CABLE	0131	a	1	4931369476	CARBON BRUSH
0005	a	1	4931217556	CABLE ENTRY SLEEVE	0133	a	1	4931362785	HANDLE
0006	a	8	4931622765	SCREW	0134	a	1	4931334465	YOKE
0007	a	1	4931383886	RATING PLATE	0135	a	1	4931383044	SWITCH
0008	a	1	4931378792	TYPE PLATE	0136	a	2	4931940611	SCREW
0100	a	1	4931362783	MOTOR HOUSING	0140	a	1	4931329272	CAPACITOR
0105	a	1	4931313392	ELECTRIC FIELD	0141	a	1	4931329273	CABLE COLLAR
0106	a	1	4931334396	ARMATURE	0142	a	1	4931013472	SCREW
0107	a	1	4931334394	FAN	0144	a	5	4931618253	SCREW
0108	a	1	4931805312	BALL BEARING	0145	a	1	4931300231	CLAMPING PIECE
0110	a	1	4931259633	SEAL RING	0146	a	1	4931329171	SWITCH MOUNTING
0114	a	1	4931326156	AIR DEFLECTOR RING	0147	a	1	4931329503	SEAL RING
0116	a	2	4931383281	BRUSH HOLDER	0148	a	1	4931329122	SUPPORT
0117	a	2	4931383888	COVER	0149	a	1	4931341889	SPRING
0118	a	2	4931621528	SCREW	0201	a	1	4931621981	SLEEVE
0119	a	2	4931259535	SCREW	0202	a	1	4931621629	DISC
0120	a	1	4931322656	RUBBER SLEEVE	0204	a	1	4931624305	BALL BEARING
0121	a	2	4931619992	SPRING WASHER	0205	a	1	4931622897	DISC
0124	a	2	4931622785	WIRE	0206	a	1	4931334400	LOCKING RING
0125	a	2	4931622297	WIRE	0207	a	1	4931329107	LOCKING BOLT
0127	a	1	4931622933	SCREW	0208	a	1	4931329173	PRESSURE SPRING
0128	a	2	4931334586	INSULATING HOSE	0209	a	1	4931622764	O-RING

Repairs/modification and testing of electric power tools are to be carried out by specialists. The safety regulations according to DIN/VDE/CEE/AFNOR and other regulations valid in the different countries are to be observed.

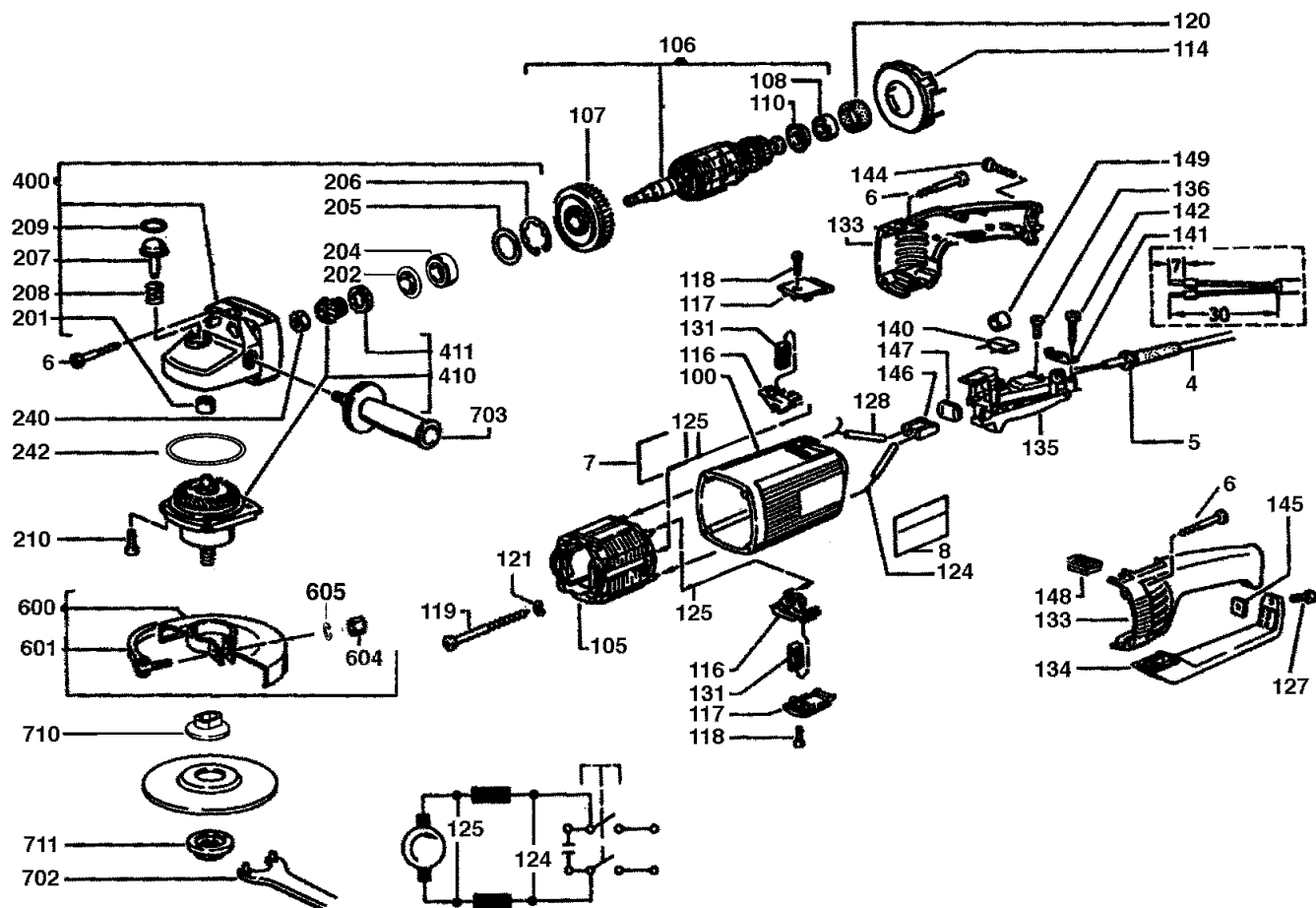
# A & M Electric Tools

# Angle Grinders

Ind Product No. Type Voltage Country  
 a 4000383876 AG20-180 220-240V IN2

Ind Product No. Type Voltage Country

**Milwaukee**  
**AG 20-180**  
 Exp.view No. Version Date Page  
 4926 3838 79 0004 14.03.05 2/2



Pos	Index	Quanti	Article No.	Designation
0210	a.....	4	4931624147	SCREW
0240	a.....	1	4931329494	NUT
0242	a.....	1	9170317010	O-RING
0400	a.....	1	4931378799	GEAR BOX
0410	a.....	1	4931385683	DRIVE
0411	a.....	1	4931329091	GREASE RETAIN.DISC
0600	a.....	1	4931383881	GUARD CAP
0601	a.....	1	4931383175	TENSION LEVER
0604	a.....	1	4931615586	NUT
0605	a.....	1	4931616932	SPRING WASHER
0702	a.....	1	4932367712	PIN SPANNER
0703	a.....	1	4932209035	HANDLE
0710	a.....	1	4932263299	CLAMPING FLANGE
0711	a.....	1	4932345629	FLANGE NUT

Pos	Index	Quanti	Article No.	Designation