

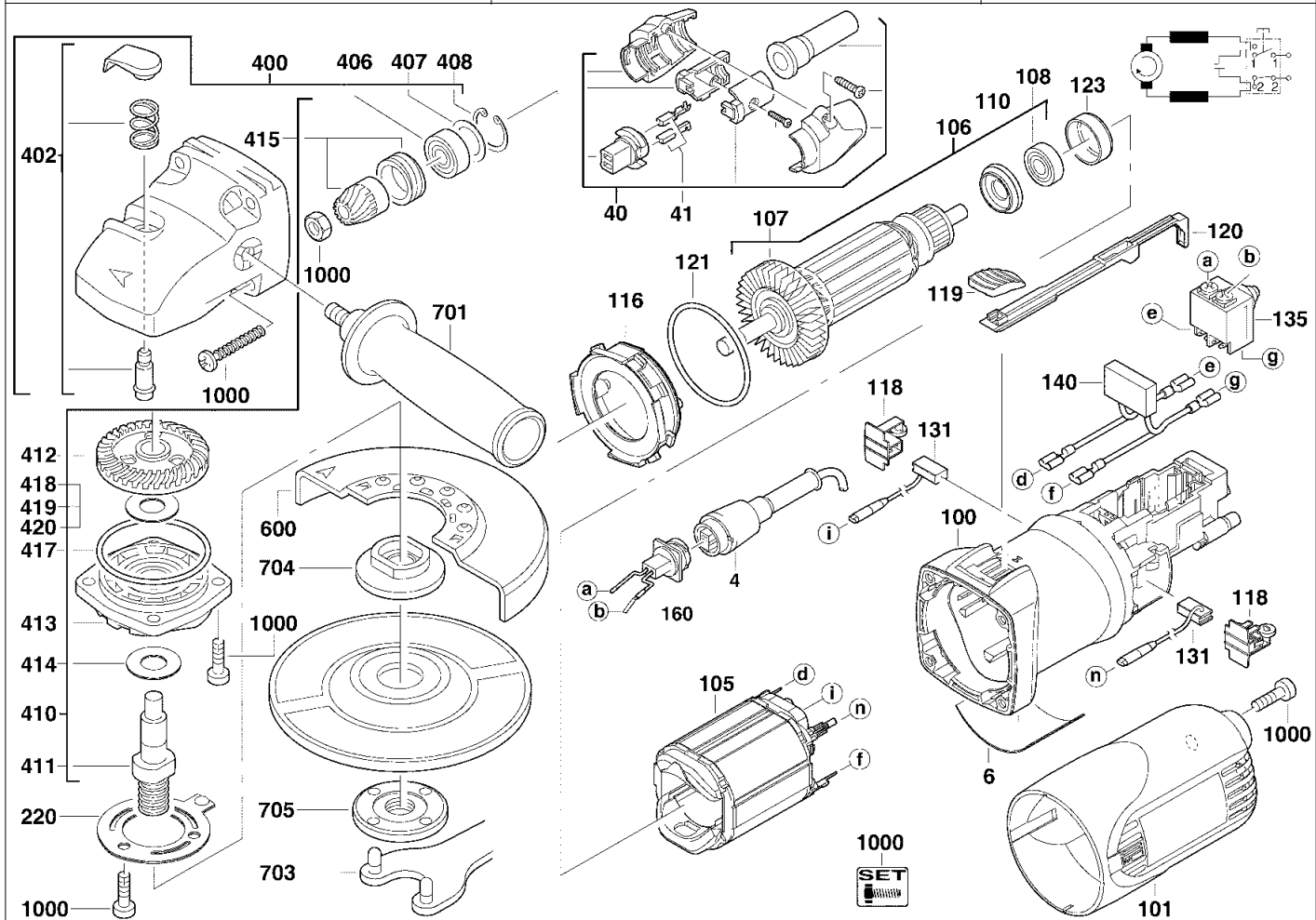
A & M Electric Tools

Angle Grinders

Ind Product No.	Type	Voltage	Country
b 4000403236	AG8-125Q	220-240V	IN2

Ind Product No.	Type	Voltage	Country

Milwaukee			
AG 8-125 Q			
Exp.view No.	Version	Date	Page
4926 4032 95	0002	28.06.06	1/1



Pos	Index	Quanti	Article No.	Designation
0004	b.....	1	4931624171	CONNECTION CABLE
0006	b.....	1	4931403238	RATING PLATE
0040	b.....	1	4931380758	REPAIR KIT
0041	b.....	1	4931380763	CABLE SOCKET P./10
0100	b.....	1	4931403004	MOTOR HOUSING
0101	b.....	1	4931403015	HOUSING CAP
0105	b.....	1	4931393550	ELECTRIC FIELD
0106	b.....	1	4931403212	ARMATURE
0107	b.....	1	4931368347	FAN
0108	b.....	1	4931902888	BALL BEARING
0110	b.....	1	4931385658	INSULATING DISC
0116	b.....	1	4931368332	AIR DEFLECTOR RING
0118	b.....	2	4931368633	BRUSH HOLDER
0119	b.....	1	4931368501	SLIDER
0120	b.....	1	4931368333	GUIDE PIECE
0121	b.....	1	4931623590	SEAL RING
0123	b.....	1	4931368374	RUBBER SLEEVE
0131	b.....	1	4931392612	CARBON BRUSH SET
0135	b.....	1	4931391034	SWITCH
0140	b.....	1	4931391182	CAPACITOR
0160	b.....	1	4931368393	PLUG
0220	b.....	1	4931345965	SPRING WASHER

Pos	Index	Quanti	Article No.	Designation
0400	b.....	1	4931368420	GEAR BOX
0402	b.....	1	4931358685	LOCK COMPLETE
0406	b.....	1	4931624360	BALL BEARING
0407	b.....	1	4931803914	SEALING WASHER
0408	b.....	1	4931613683	LOCKING RING
0410	b.....	1	4931358682	DRIVE GEAR
0411	b.....	1	4931369770	SPINDLE
0412	b.....	1	4931385587	BEVEL GEAR PAIR
0413	b.....	1	4931378310	BEARING END PLATE
0414	b.....	1	4931623480	DISC
0415	b.....	1	4931385587	BEVEL GEAR PAIR
0417	b.....	1	4931623590	SEAL RING
0418	b.....	1	4931808473	DISC
0419	b.....	1	4931925940	DISC
0420	b.....	1	4931624256	DISC
0600	b.....	1	4931378168	GUARD CAP
0701	b.....	1	4932279371	HANDLE
0703	b.....	1	4932367712	PIN SPANNER
0704	b.....	1	4932263299	CLAMPING FLANGE
0705	b.....	1	4932345628	FLANGE NUT
1000	b.....	1	4931358683	BOLT SET

Repairs/modification and testing of electric power tools are to be carried out by specialists. The safety regulations according to DIN/VDE/CEE/AFNOR and other regulations valid in the different countries are to be observed.