

A & M Electric Tools

Angle Grinders

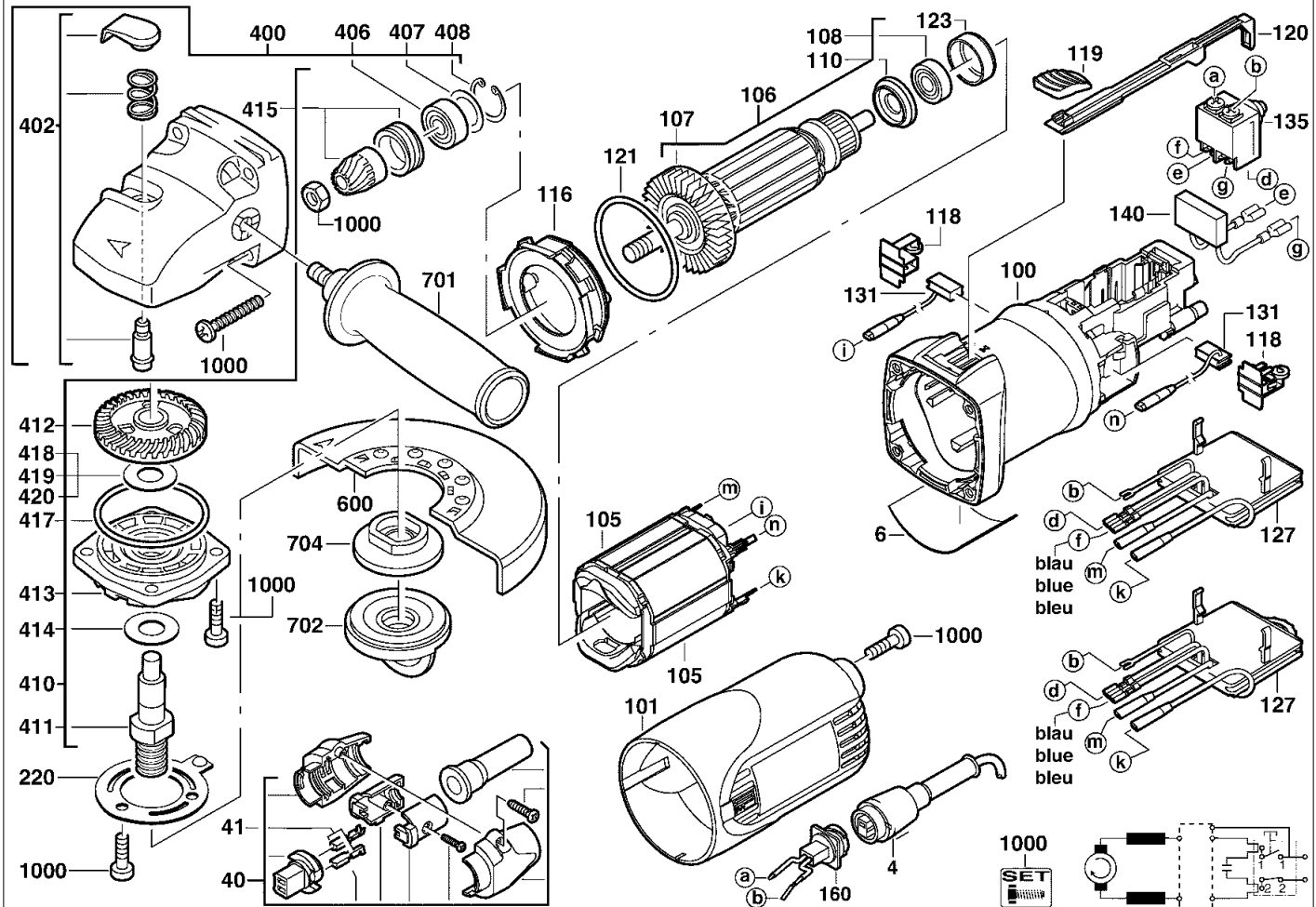
Milwaukee

AG 9-125 QXC

Exp.view No. Version Date Page
4926 4032 92 0002 28.06.06 1/2

Ind	Product No.	Type	Voltage	Country
c	4000403201	AG9-125QXC	220-240V	IN2
d	4000403207	AG9-125QXE	220-240V	IN2

Ind	Product No.	Type	Voltage	Country



Pos	Index	Quanti	Article No.	Designation
0004	cd.....	1	4931624171	CONNECTION CABLE
0006	c.....	1	4931403203	RATING PLATE
0006	.d.....	1	4931403210	RATING PLATE
0040	cd.....	1	4931380758	REPAIR KIT
0041	cd.....	1	4931380763	CABLE SOCKET P./10
0100	cd.....	1	4931403004	MOTOR HOUSING
0101	c.....	1	4931403015	HOUSING CAP
0101	.d.....	1	4931403014	HOUSING CAP
0105	cd.....	1	4931393550	ELECTRIC FIELD
0106	cd.....	1	4931403211	ARMATURE
0107	cd.....	1	4931368347	FAN
0108	cd.....	1	4931902888	BALL BEARING
0110	cd.....	1	4931385658	INSULATING DISC
0116	cd.....	1	4931368332	AIR DEFLECTOR RING
0118	cd.....	2	4931368633	BRUSH HOLDER
0119	cd.....	1	4931368501	SLIDER
0120	cd.....	1	4931368333	GUIDE PIECE
0121	cd.....	1	4931623590	SEAL RING
0123	cd.....	1	4931368374	RUBBER SLEEVE
0127	c.....	1	4931395111	ELECTRIC ELEMENT
0127	.d.....	1	4931395110	ELECTRIC ELEMENT
0131	cd.....	1	4931392612	CARBON BRUSH SET

Pos	Index	Quanti	Article No.	Designation
0135	cd.....	1	4931351849	SWITCH
0140	cd.....	1	4931403213	CAPACITOR
0160	cd.....	1	4931368393	PLUG
0220	cd.....	1	4931345965	SPRING WASHER
0400	cd.....	1	4931368420	GEAR BOX
0402	cd.....	1	4931358685	LOCK COMPLETE
0406	cd.....	1	4931624360	BALL BEARING
0407	cd.....	1	4931803914	SEALING WASHER
0408	cd.....	1	4931613683	LOCKING RING
0410	cd.....	1	4931358682	DRIVE GEAR
0411	cd.....	1	4931369770	SPINDLE
0412	cd.....	1	4931385587	BEVEL GEAR PAIR
0413	cd.....	1	4931378310	BEARING END PLATE
0414	cd.....	1	4931623480	DISC
0415	cd.....	1	4931385587	BEVEL GEAR PAIR
0417	cd.....	1	4931623590	SEAL RING
0418	cd.....	1	4931808473	DISC
0419	cd.....	1	4931925940	DISC
0420	cd.....	1	4931624256	DISC
0600	cd.....	1	4931378168	GUARD CAP
0701	cd.....	1	4932279371	HANDLE
0702	cd.....	1	4932358225	FIXTEC NUT

Repairs/modification and testing of electric power tools are to be carried out by specialists. The safety regulations according to DIN/VDE/CEE/AFNOR and other regulations valid in the different countries are to be observed.

A & M Electric Tools

Angle Grinders

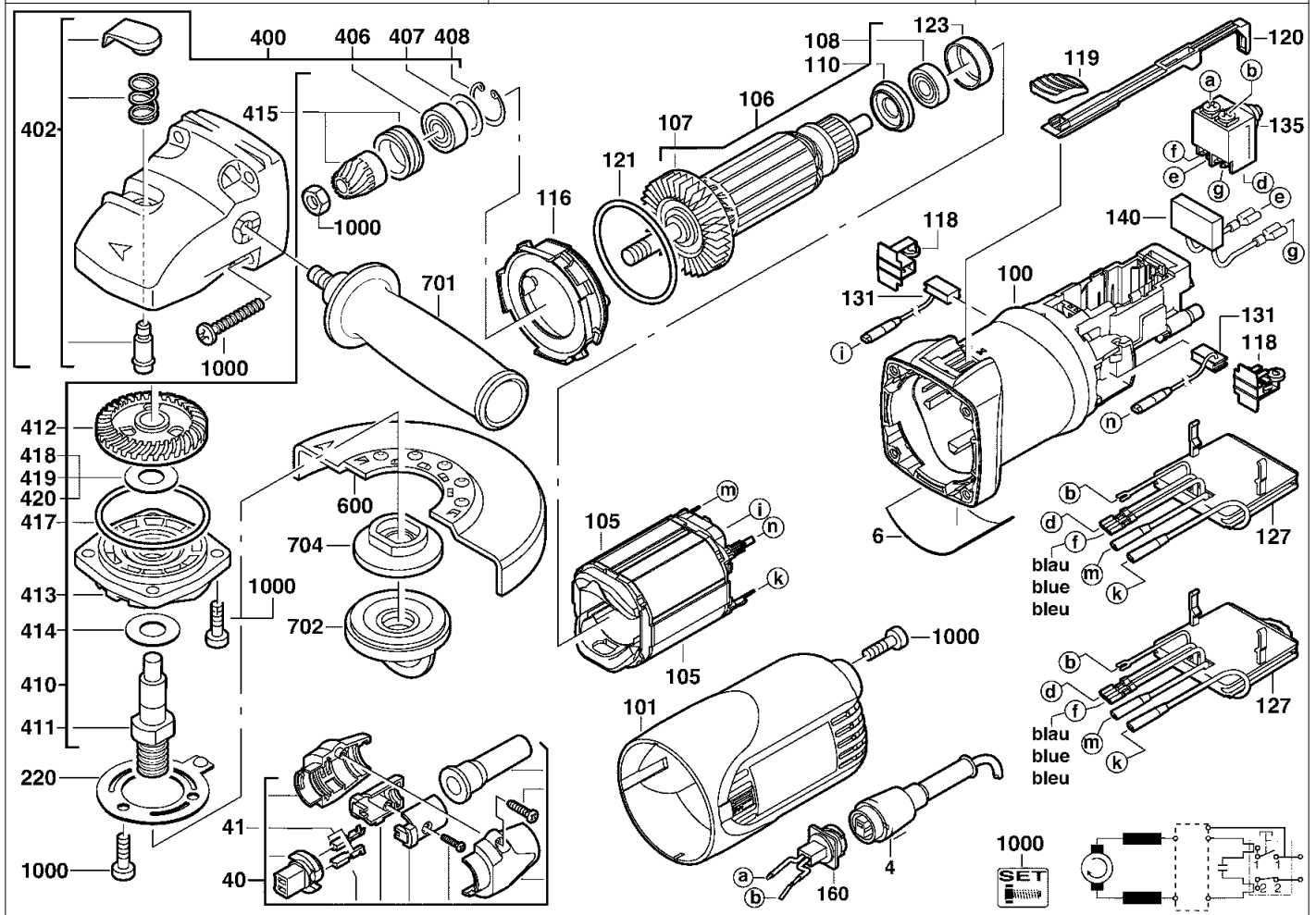
Milwaukee

AG 9-125 QXC

Exp.view No. Version Date Page
 4926 4032 92 0002 28.06.06 2/2

Ind	Product No.	Type	Voltage	Country
c	4000403201	AG9-125QXC	220-240V	IN2
d	4000403207	AG9-125QXE	220-240V	IN2

Ind	Product No.	Type	Voltage	Country



Pos	Index	Quanti	Article No.	Designation
0704	cd.....	1	4932263299	CLAMPING FLANGE
1000	cd.....	1	4931358683	BOLT SET

Pos	Index	Quanti	Article No.	Designation

Repairs/modification and testing of electric power tools are to be carried out by specialists. The safety regulations according to DIN/VDE/CEE/AFNOR and other regulations valid in the different countries are to be observed.