

A & M Electric Tools

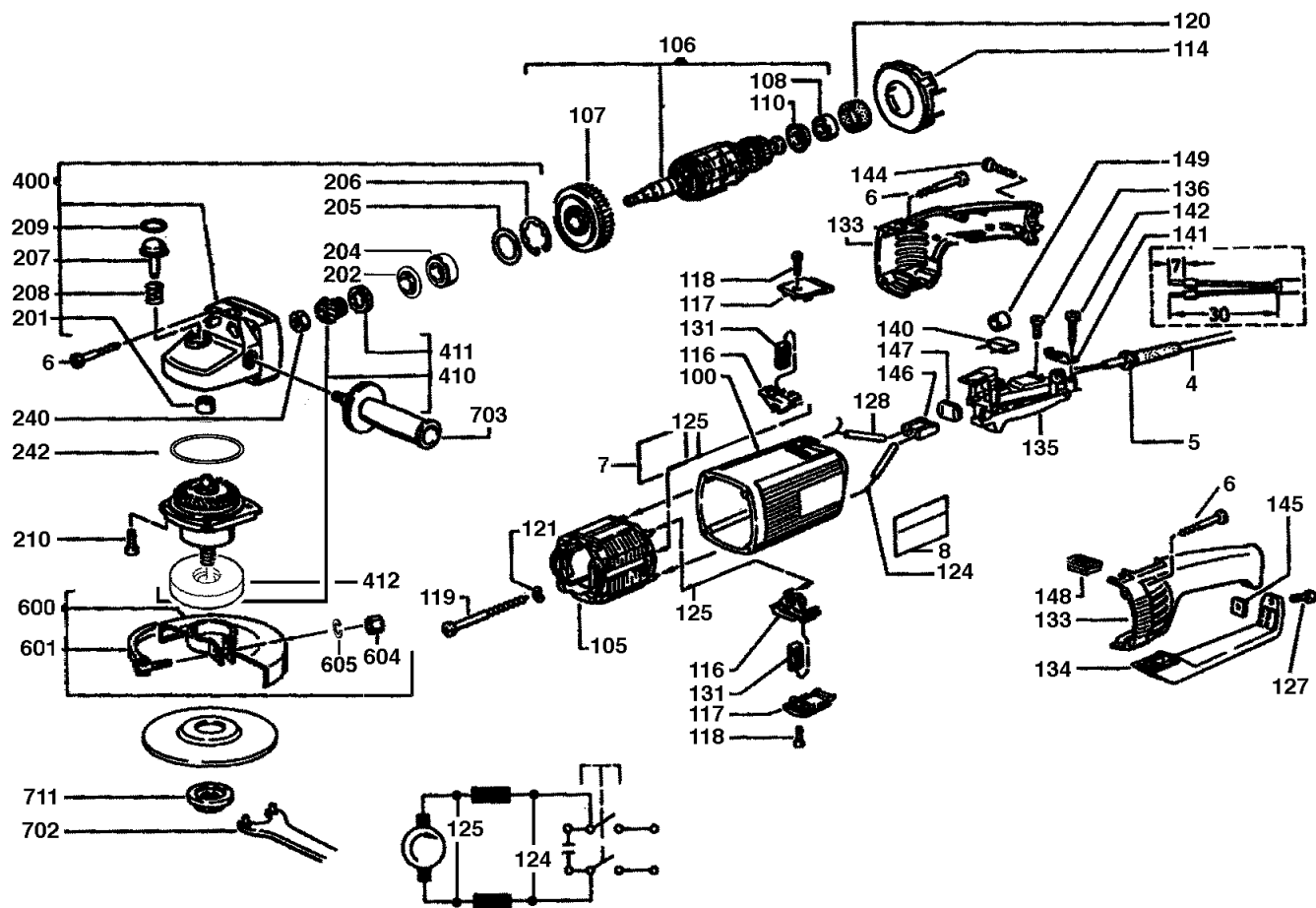
Angle Grinders

Milwaukee

AGV 20-180

Exp.view No. Version Date Page
4926 3838 94 0008 14.03.05 1/2

Ind	Product No.	Type	Voltage	Country	Ind	Product No.	Type	Voltage	Country
a	4000383891	AGV20-180	220-240V	IN2					
b	4000391618	AGV20-180	110V	GB1					



Pos	Index	Quanti	Article No.	Designation	Pos	Index	Quanti	Article No.	Designation
0004	a.....	1	4931623311	CONNECTION CABLE	0121	ab.....	2	4931619992	SPRING WASHER
0004	b.....	1	4931624290	CONNECTION CABLE	0124	a.....	2	4931622785	WIRE
0005	a.....	1	4931217556	CABLE ENTRY SLEEVE	0124	b.....	2	4931623063	CONNECTION CABLE
0005	b.....	1	4931217557	CABLE ENTRY SLEEVE	0125	a.....	2	4931622297	WIRE
0006	ab.....	8	4931622765	SCREW	0125	b.....	2	4931623064	CONNECTION CABLE
0007	a.....	1	4931383897	RATING PLATE	0127	ab.....	1	4931622933	SCREW
0007	b.....	1	4931391620	RATING PLATE	0128	ab.....	2	4931334586	INSULATING HOSE
0008	ab.....	1	4931378792	TYPE PLATE	0131	a.....	1	4931369476	CARBON BRUSH
0100	ab.....	1	4931362783	MOTOR HOUSING	0131	b.....	1	4931392582	CARBON BRUSH SET
0105	a.....	1	4931313392	ELECTRIC FIELD	0133	ab.....	1	4931362785	HANDLE
0105	b.....	1	4931326544	ELECTRIC FIELD	0134	ab.....	1	4931334465	YOKE
0106	a.....	1	4931334396	ARMATURE	0135	a.....	1	4931378784	SWITCH
0106	b.....	1	4931334849	ARMATURE	0135	b.....	1	4931391633	SWITCH
0107	ab.....	1	4931334394	FAN	0136	ab.....	2	4931940611	SCREW
0108	ab.....	1	4931805312	BALL BEARING	0140	ab.....	1	4931329272	CAPACITOR
0110	ab.....	1	4931259633	SEAL RING	0141	a.....	1	4931329273	CABLE COLLAR
0114	ab.....	1	4931326156	AIR DEFLECTOR RING	0141	b.....	1	4931334597	CABLE COLLAR
0116	ab.....	2	4931383281	BRUSH HOLDER	0142	ab.....	1	4931013472	SCREW
0117	ab.....	2	4931383888	COVER	0144	ab.....	5	4931618253	SCREW
0118	ab.....	2	4931621528	SCREW	0145	ab.....	1	4931300231	CLAMPING PIECE
0119	ab.....	2	4931259535	SCREW	0146	ab.....	1	4931329171	SWITCH MOUNTING
0120	ab.....	1	4931322656	RUBBER SLEEVE	0147	ab.....	1	4931329503	SEAL RING

Repairs/modification and testing of electric power tools are to be carried out by specialists. The safety regulations according to DIN/VDE/CEE/AFNOR and other regulations valid in the different countries are to be observed.

A & M Electric Tools

Angle Grinders

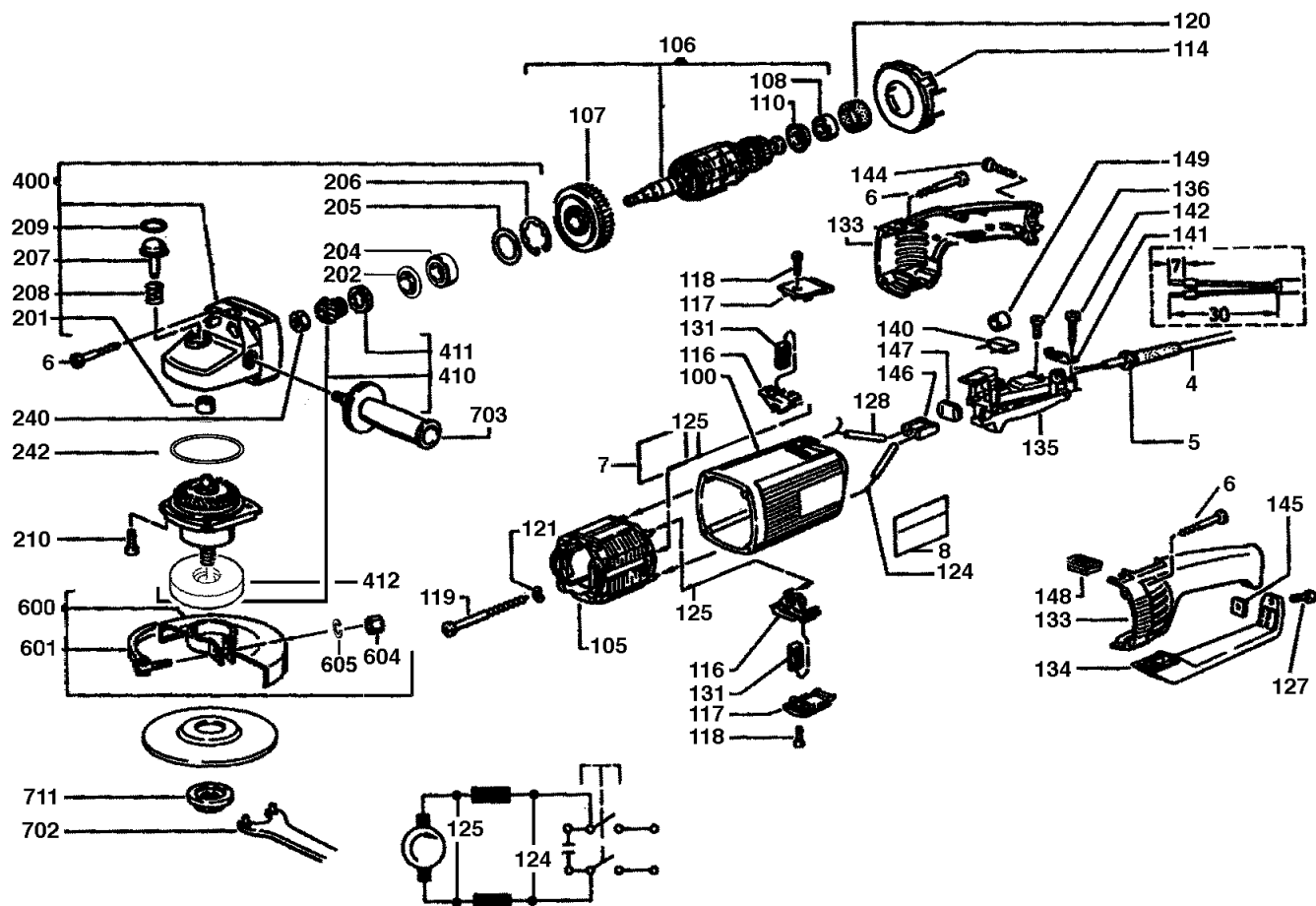
Milwaukee

AGV 20-180

Ind	Product No.	Type	Voltage	Country
a	4000383891	AGV20-180	220-240V	IN2
b	4000391618	AGV20-180	110V	GB1

Ind	Product No.	Type	Voltage	Country
-----	-------------	------	---------	---------

Exp.view No. Version Date Page
4926 3838 94 0008 14.03.05 2/2



Pos	Index	Quanti	Article No.	Designation
0148	ab.....	1	4931329122	SUPPORT
0149	ab.....	1	4931341889	SPRING
0201	ab.....	1	4931621981	SLEEVE
0202	ab.....	1	4931621629	DISC
0204	ab.....	1	4931624305	BALL BEARING
0205	ab.....	1	4931622897	DISC
0206	ab.....	1	4931334400	LOCKING RING
0207	ab.....	1	4931329107	LOCKING BOLT
0208	ab.....	1	4931329173	PRESSURE SPRING
0209	ab.....	1	4931622764	O-RING
0210	ab.....	4	4931624147	SCREW
0240	ab.....	1	4931329494	NUT
0242	ab.....	1	9170317010	O-RING
0400	ab.....	1	4931378799	GEAR BOX
0410	ab.....	1	4931369993	DRIVE GEAR
0411	ab.....	1	4931329091	GREASE RETAIN.DISC
0412	ab.....	1	4931369830	AUTOBALANCER
0600	ab.....	1	4931383881	GUARD CAP
0601	ab.....	1	4931383175	TENSION LEVER
0604	ab.....	1	4931615586	NUT
0605	ab.....	1	4931616932	SPRING WASHER
0702	a.....	1	4932367712	PIN SPANNER

Pos	Index	Quanti	Article No.	Designation
0702	.b.....	1	4932367712	PIN SPANNER
0703	ab.....	1	4932209035	HANDLE
0711	ab.....	1	4932345629	FLANGE NUT

Repairs/modification and testing of electric power tools are to be carried out by specialists. The safety regulations according to DIN/VDE/CEE/AFNOR and other regulations valid in the different countries are to be observed.