

# A & M Electric Tools

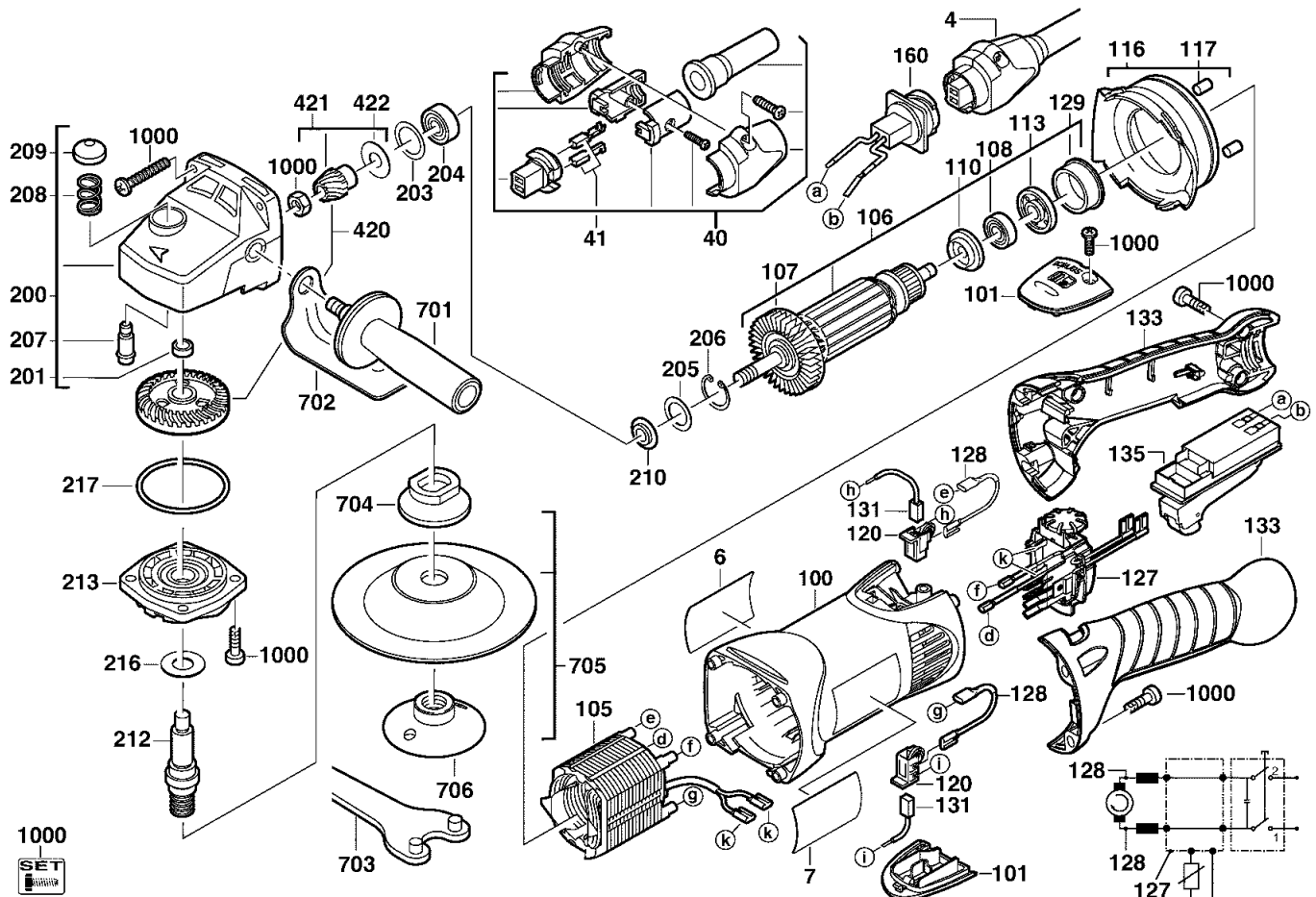
# Angle Grinders

**Milwaukee**  
**AS12QE**

Exp.view No.      Version      Date      Page  
**4926 3789 96      0002      30.11.01      1/2**

Ind	Product No.	Type	Voltage	Country
a	4000383941	AS12QE	220-240V	IN2
b	4000378991	AS12QE	240V	AUS

Ind	Product No.	Type	Voltage	Country



Pos	Index	Quanti	Article No.	Designation	Pos	Index	Quanti	Article No.	Designation
0004	a.....	1	4931624171	CONNECTION CABLE	0133	ab.....	1	4931378765	HANDLE
0004	.b.....	1	4931624342	CONNECTION CABLE	0135	a.....	1	4931378983	SWITCH
0006	a.....	1	4931383944	RATING PLATE	0135	.b.....	1	4931378949	SWITCH
0006	.b.....	1	4931378993	RATING PLATE	0160	ab.....	1	4931364437	INSERT
0007	ab.....	1	4931378806	TYPE PLATE	0200	ab.....	1	4931378964	GEAR BOX
0040	ab.....	1	4931380758	REPAIR KIT	0201	ab.....	1	4931912093	SLEEVE
0041	ab.....	1	4931380763	CABLE SOCKET P./10	0203	ab.....	1	4931362085	WASHER
0100	ab.....	1	4931378768	MOTOR HOUSING	0204	ab.....	1	4931368037	GROOVED BALL BEAR.
0101	ab.....	2	4931378566	COVER	0205	ab.....	1	4931622761	DISC
0105	ab.....	1	4931378394	ELECTRIC FIELD	0206	ab.....	1	4931616614	LOCKING RING
0106	ab.....	1	4931362959	ARMATURE	0207	ab.....	1	4931326929	LOCKING BOLT
0107	ab.....	1	4931341088	FAN	0208	ab.....	1	4931326942	PRESSURE SPRING
0108	ab.....	1	4931901253	BALL BEARING	0209	ab.....	1	4931326930	PUSH-BUTTON
0110	ab.....	1	4931271823	INSULATING DISC	0210	ab.....	1	4931622009	SEAL RING
0113	ab.....	1	4931307147	MAGNETIC DISC	0212	ab.....	1	4931369770	SPINDLE
0116	ab.....	1	4931378135	AIR DEFLECTOR RING	0213	ab.....	1	4931378310	BEARING END PLATE
0117	ab.....	2	4931271824	HOLDING-DOWN DEVIC	0216	ab.....	1	4931623480	DISC
0120	ab.....	2	4931382268	BRUSH HOLDER	0217	ab.....	1	4931623590	SEAL RING
0127	ab.....	1	4931378393	ELECTRONIC ELEMENT	0420	ab.....	1	4931407037	BEVEL GEAR PAIR
0128	ab.....	2	4931623738	WIRE	0421	ab.....	1	4931369498	PINION
0129	ab.....	1	4931326953	BEARING SLEEVE	0422	ab.....	1	4931362086	WASHER
0131	ab.....	1	4931369477	CARBON BRUSH SET	0701	ab.....	1	4932279371	HANDLE

Repairs/modification and testing of electric power tools are to be carried out by specialists. The safety regulations according to DIN/VDE/CEE/AFNOR and other regulations valid in the different countries are to be observed.

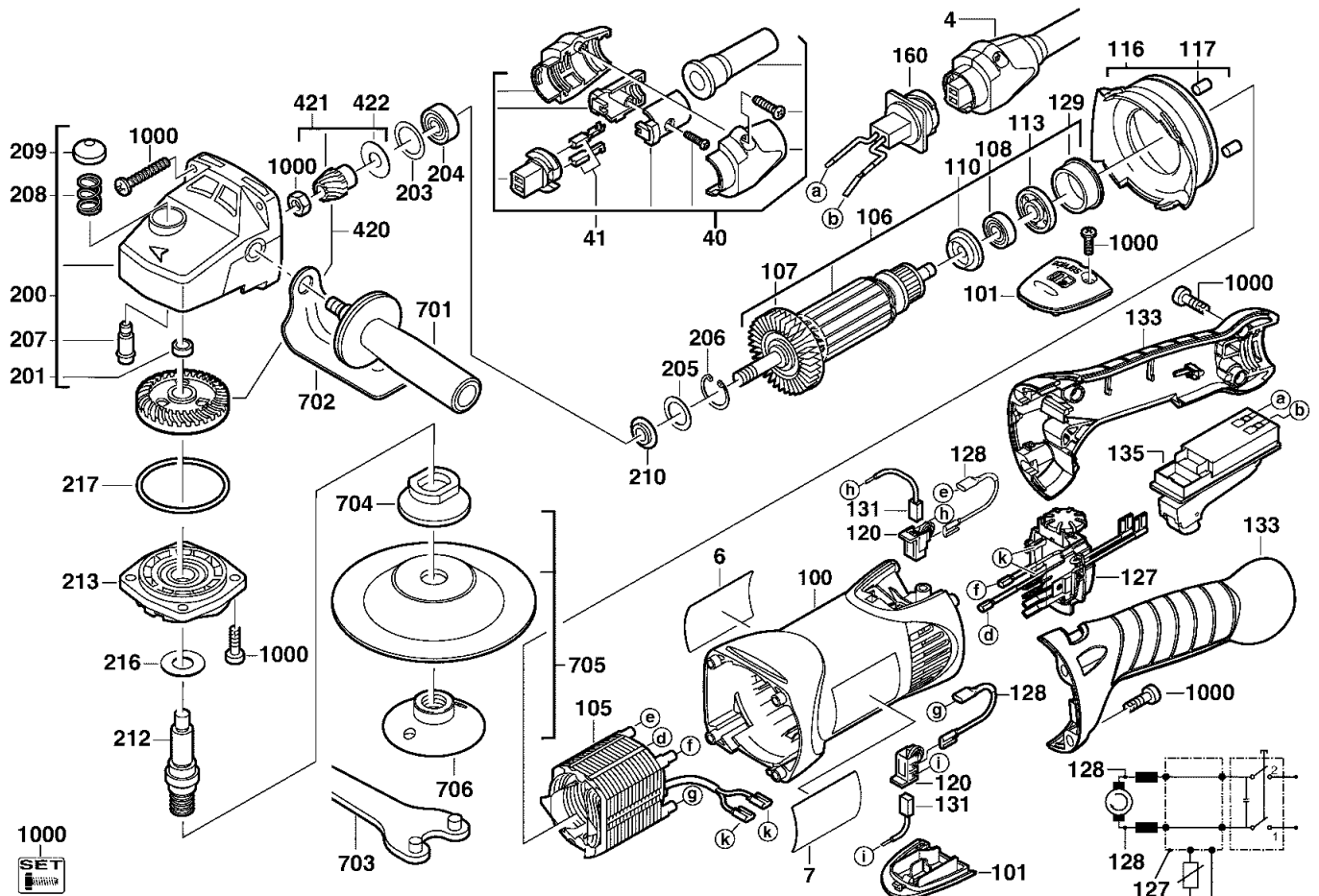
# A & M Electric Tools

# Angle Grinders

Milwaukee  
**AS12QE**

Exp.view No.      Version      Date      Page  
4926 3789 96      0002      30.11.01      2/2

Ind	Product No.	Type	Voltage	Country	Ind	Product No.	Type	Voltage	Country
a	4000383941	AS12QE	220-240V	IN2					
b	4000378991	AS12QE	240V	AUS					



Pos	Index	Quanti	Article No.	Designation
0702	ab.....	1	4932378478	YOKE
0703	ab.....	1	4932367712	PIN SPANNER
0704	ab.....	1	4932263299	CLAMPING FLANGE
0705	ab.....	1	4932373172	FLEXIB.BACKING PAD
0706	ab.....	1	4932345627	FLANGE NUT
1000	ab.....	1	4931378570	BOLT SET

Pos	Index	Quanti	Article No.	Designation