

A & M Electric Tools

Nibblers

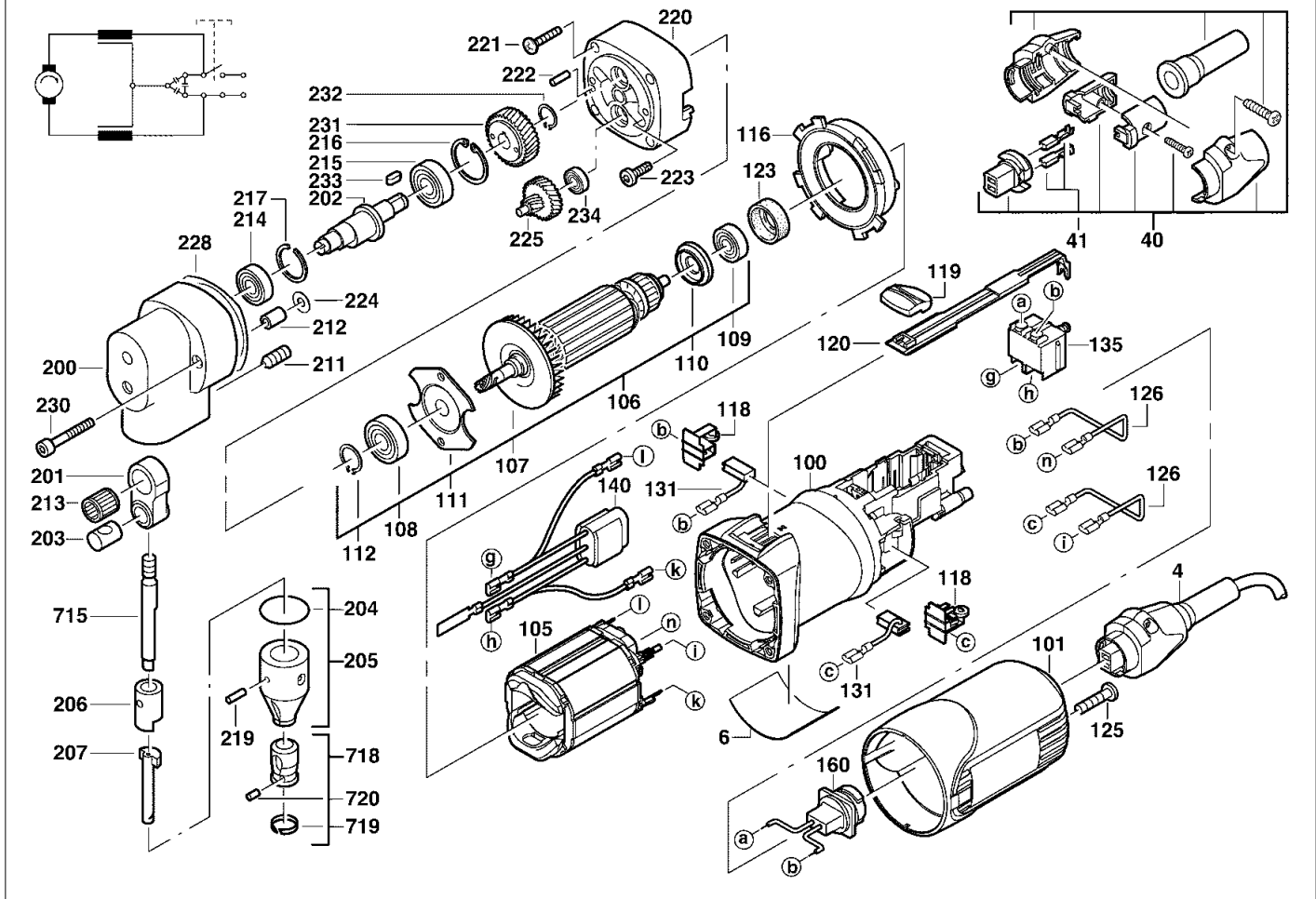
Milwaukee

N 2 Q

Exp.view No. Version Date Page
4926 4033 39 0001 20.06.06 1/2

Ind Product No.	Type	Voltage	Country
a 4000403338	N2Q	230V	IN2

Ind Product No.	Type	Voltage	Country



Pos	Index	Quanti	Article No.	Designation	Pos	Index	Quanti	Article No.	Designation
0004	a.....	1	4931624171	CONNECTION CABLE	0135	a.....	1	4931368387	SWITCH
0006	a.....	1	4931403341	RATING PLATE	0140	a.....	1	4931391747	CAPACITOR
0040	a.....	1	4931380758	REPAIR KIT	0160	a.....	1	4931368393	PLUG
0041	a.....	1	4931380763	CABLE SOCKET P./10	0200	a.....	1	4931378857	BODY
0100	a.....	1	4931403002	MOTOR HOUSING	0201	a.....	1	4931279562	CONNECTING ROD
0101	a.....	1	4931403015	HOUSING CAP	0202	a.....	1	4931279564	ECCENTRIC SHAFT
0105	a.....	1	4931368511	ELECTRIC FIELD	0203	a.....	1	4931362178	BOLT
0106	a.....	1	4931368512	ARMATURE	0204	a.....	1	4931623653	O-RING
0107	a.....	1	4931351861	FAN	0205	a.....	1	4931362180	PUNCH GUIDE
0108	a.....	1	4931341740	GROOVED BALL BEAR.	0206	a.....	1	4931243111	GUIDE SLEEVE
0109	a.....	1	4931902888	BALL BEARING	0207	a.....	1	4931243112	PIN
0110	a.....	1	4931385658	INSULATING DISC	0211	a.....	1	4931243114	THREADED PIN
0111	a.....	1	4931351913	BEARING COVER	0212	a.....	1	4931621826	NEEDLE BEARING
0112	a.....	2	4931605103	RING	0213	a.....	1	4931621847	NEEDLE BEARING
0116	a.....	1	4931368496	AIR DEFLECTOR RING	0214	a.....	1	4931623537	BALL BEARING
0118	a.....	2	4931368633	BRUSH HOLDER	0215	a.....	1	4931278918	BALL BEARING
0119	a.....	1	4931381347	SLIDER	0216	a.....	1	4931605460	LOCKING RING
0120	a.....	1	4931368386	GUIDE PIECE	0217	a.....	1	4931621848	SPRING RING
0123	a.....	1	4931393018	RUBBER SLEEVE	0219	a.....	1	4931983663	PIN
0125	a.....	2	4931618253	SCREW	0220	a.....	1	4931378855	BEARING END PLATE
0126	a.....	2	4931623944	WIRE	0221	a.....	4	4931622221	SCREW
0131	a.....	1	4931392611	CARBON BRUSH SET	0222	a.....	1	4931600203	PIN

Repairs/modification and testing of electric power tools are to be carried out by specialists. The safety regulations according to DIN/VDE/CEE/AFNOR and other regulations valid in the different countries are to be observed.

A & M Electric Tools

Nibblers

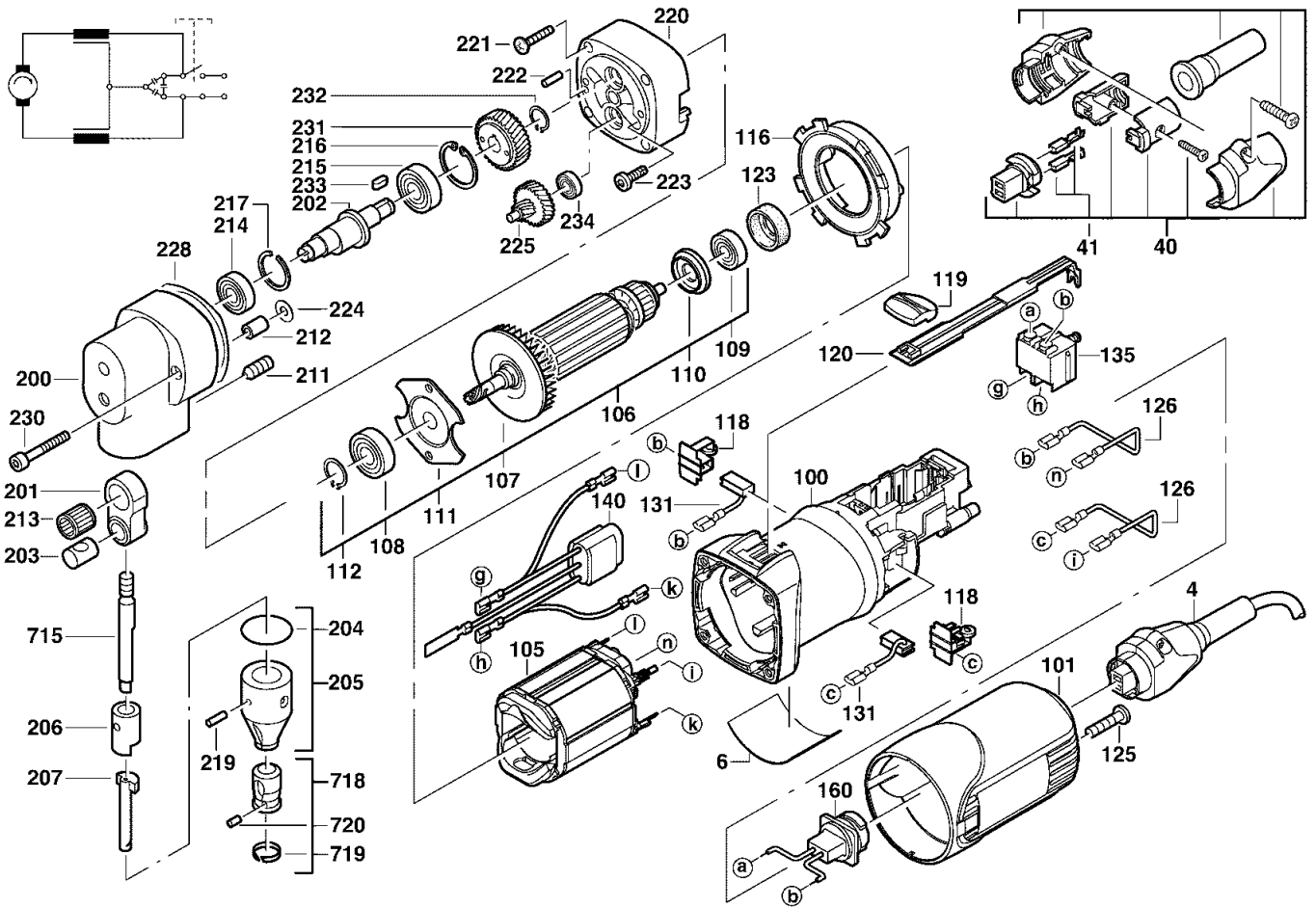
Milwaukee

N 2 Q

Exp.view No. Version Date Page
 4926 4033 39 0001 20.06.06 2/2

Ind	Product No.	Type	Voltage	Country
a	4000403338	N2Q	230V	IN2

Ind	Product No.	Type	Voltage	Country



Pos	Index	Quanti	Article No.	Designation
0223	a.....	2	4931279999	SCREW
0224	a.....	1	4931909973	DISC
0225	a.....	1	4931279513	REDUCTION GEAR
0228	a.....	1	4931222136	GASKET
0230	a.....	2	4931606955	SCREW
0231	a.....	1	4931279511	SPINDLE GEAR
0232	a.....	1	4931605115	RING
0233	a.....	1	4931610332	SPRING
0234	a.....	1	4931887416	BALL BEARING
0715	a.....	1	4932362179	PUNCH
0718	a.....	1	4932279565	MATRIX
0719	a.....	1	4931262402	COVERING RING
0720	a.....	1	4931621770	PIN

Pos	Index	Quanti	Article No.	Designation

Repairs/modification and testing of electric power tools are to be carried out by specialists. The safety regulations according to DIN/VDE/CEE/AFNOR and other regulations valid in the different countries are to be observed.