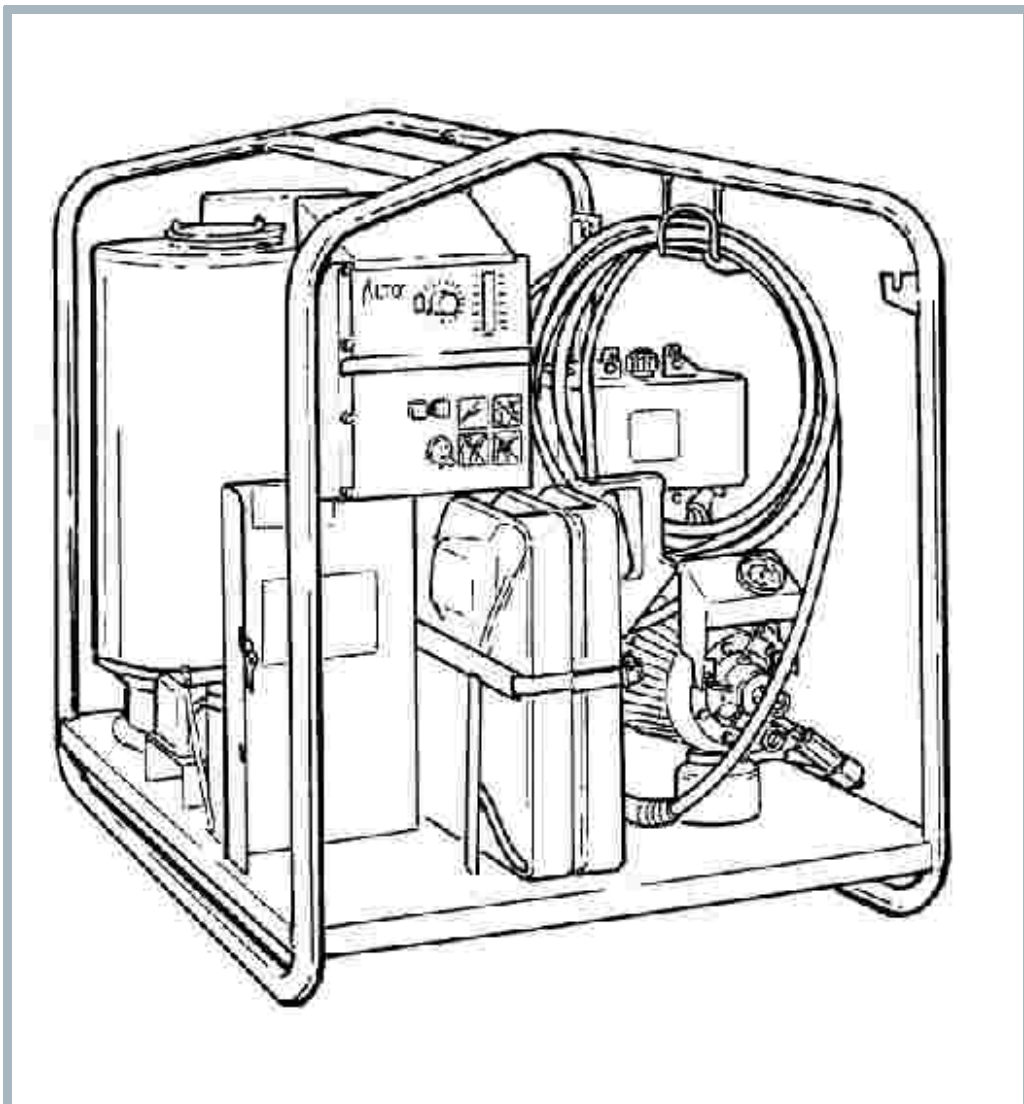


CONTRACTOR DIESEL

Model:
CONTRACTOR HEAVY
DUTY



Stykliste Dansk

29-03-2013

Indholdsfortegnelse

CONTRACTOR DIESEL

Overview	3
Motor pump unit compl. (a)	7
Motor pump unit, compl. (b)	9
Motor pump unit, compl. (c)	11
Fan, compl.	13
Flow switch, (outlet)	15
Flow switch, (boiler)	17
Outlet for coil, elbow, compl.	19
Outlet for coil, elbow, compl. f. AUS	21
Outlet for coil, elbow, compl. f. N,S	23
Boiler, compl.	25
Air distributor, compl.	27
Connection box, compl.	29
Throttle lever 98.33>	31
Throttle lever >98.32	33
Default accessories	35

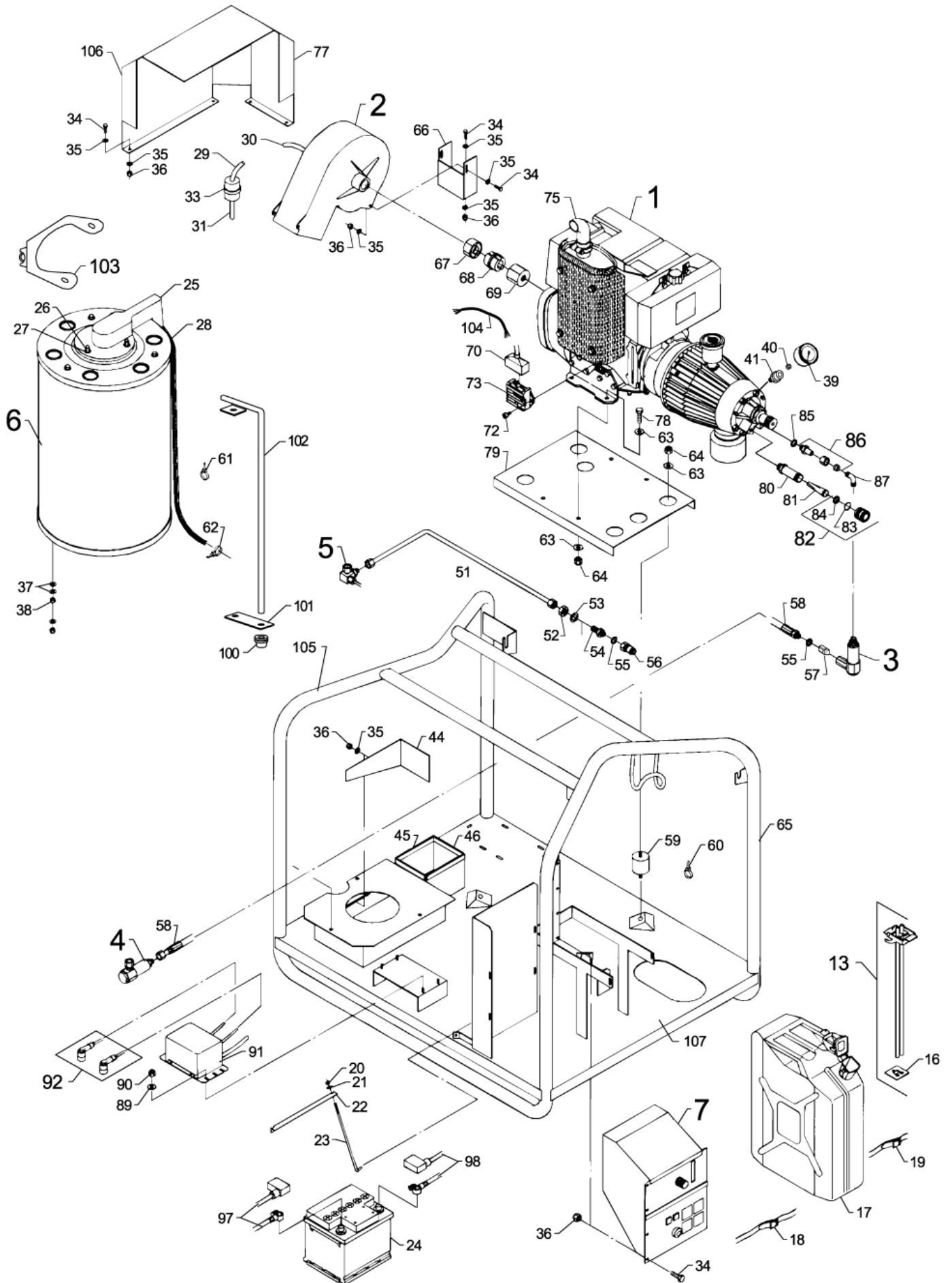
Overview

CONTRACTOR DIESEL

29-03-2013

StyMiste ID
CONTDIE02

3



Overview

CONTRACTOR DIESEL

29-03-2013

StyMiste ID
CON I DIEUZ

4

Pos	Vare nr.	Ant	Beskrivelse	
1		1	USE LINK	See "Motor pump unit, compl."
2		1	USE LINK	See "Fan, compl."
3		1	USE LINK	See "Flow switch, compl."
4		1	USE LINK	See "Flow switch, compl."
5		1	USE LINK	See "Flow switch, compl."
6		1	USE LINK	See "Boiler, compl."
7		1	USE LINK	See "Connection box, compl."
A	101117934	1	WARNING LABEL HOT	
B	6229805	1	WARNING LABEL	HEAVY DUTY
F	4205423	1	WARNING SIGN	GB
13	106268109	1	COVER FOR CANISTER SPAREPART	
16	6228086	1	GASKET	
17	2012243	1	CONTAINER FUEL 20L	
18	1802594	1	STRAP 18 X 2 X 1150	
19	1813278	1	STRAP F. CONTAINER	
20	1804285	2	Låsemøtrik M5	
21	1804152	2	WASHER M5	
22	6164934	1	ANGLE HINGE	
23	6228744	2	CROOK F. BATTERY HOLDER	
24	3804523	1	BATTERY 12V 44Ah	
25	6228253	1	BOILER TOP SECTION	
26	6200310	3	Topmøtrik	
27	1800440	6	Plansskive M6	
28	6228810	1	OIL PIPE COMPL.	
29	107318160	1	OIL/PETROL HOSE 3 METERS KIT	
30	107318160	1	OIL/PETROL HOSE 3 METERS KIT	
31	107318160	1	OIL/PETROL HOSE 3 METERS KIT	
33	6184100	1	Oliefilter	
34	1813484	12	Skrue Insex M6X16	UP TO 19.08.94
35	1800440	20	Plansskive M6	
36	1805399	15	Låsemøtrik M/Ny lonring M6	
37	1800796	3	Skive M8	
38	1800515	3	Låsemøtrik M8	
39	3601262	1	Manometer 0-300 Bar	
40	1602127	1	"Manometerring 1/4" "	
41	1609072	1	Muffe	
44	6228468	1	PLATE F. THROTTLE	
45	5218193	2	PROFILE EDGE PROTECTION RUBBER	
46	5218193	2	PROFILE EDGE PROTECTION RUBBER	
51	6228510	1	OUTLET PIPE	
52	1803220	1	Kontramøtrik M18X1,5	
53	1810076	1	TOOTHED WASHER J M18	
54	6200484	1	Skotforskruning	

Overview

CONTRACTOR DIESEL

29-03-2013

StyMiste ID
CON I DIE02

5

Pos	Vare nr.	Ant	Beskrivelse	
55	1801075	2	"Tætningsskive 3/8" Rg "	
56	1600493	1	"Lynkoblingsnippel 3/8" "	
56	1603101	1	Lynkoblingsnippel, Rf	SS
57	6101038	1	Stempel	
58	1405460	1	HIGH PRESSURE HOSE L 1240	
59	1801240	4	Vibrationsdæmper Ø40	
60	1813286	12	CABLE CLIP	
61	1802347	7	CABLE BINDER 3 MM WHITE	
62	3819877	12	CABLE CLIP	
63	1800317	16	Underlagsskive Encore 26/28/30	
64	1801257	12	Låsemøtrik M10	
65	6228217	1	CHASSIS	
66	6228467	1	FITTING F. FAN	
67	6228911	1	NUT/COUPLING FLANGE F. FAN	
68	6228913	1	Koblingsgummiskive	
69	6228910	1	NUT/COUPLING FLANGE F. MOTOR	
70	103821890	1	PLUG	
72	1801745	2	SET SCREW	M6120
73	103821889	1	Charging Relay Or	
75	6228934	1	EXHAUST CONTRACTOR DIESEL	
77	6228160	1	CABINET ALTO	
78	1801133	4	Sætskrue M10X25	M10125
79	6228216	1	PUMP BRACKET	
80	6105511	1	Filterhus	86mm long
80	6228666	1	SCREEN HOUSING 65MM LONG HEAVY DUTY	65mm long
81	6100941	1	Filter	for 65mm long housing
82	1602945	1	"Lynkobling 3/4" Lav tryk "	
83	3000320	1	O-Ring 20X3 Nitril	
84	3001237	1	Pakning Ø24,5Xø16X3	
85	1801075	1	"Tætningsskive 3/8" Rg "	
86	6220554	1	Skærreringsforskruning	
87	1604487	1	Vinkel Ø12	
89	1804152	4	WASHER M5	
90	1804285	4	Låsemøtrik M5	
91	3819901	1	Tændtransformer	
92	1119302	1	Rep.Sæt F. Tændhætte	
97		1	NOTE COMMENT	Battry cable (+) Ruggerini
98		1	NOTE COMMENT	Battery cable (-) Ruggerini
100	3803780	1	Pakdåse Tet 10-14C	
101	6228252	1	FITTING F. TUBE	
102	6228378	1	TUBE F. SENSOR-FLAME CONTROL	
103	1119672	1	FITTING FOR ATTACHMENT REP.KIT	
104	6228857	1	WIRE BUNDLE	UP TO 31.05.02

Overview

CONTRACTOR DIESEL

29-03-2013

StyMiste ID
CON1DIE02

6

Pos	Vare nr.	Ant	Beskrivelse	
104	6228865	1	WIRE BUNDLE MOTOR/CONNECTION	FROM 01.06.02

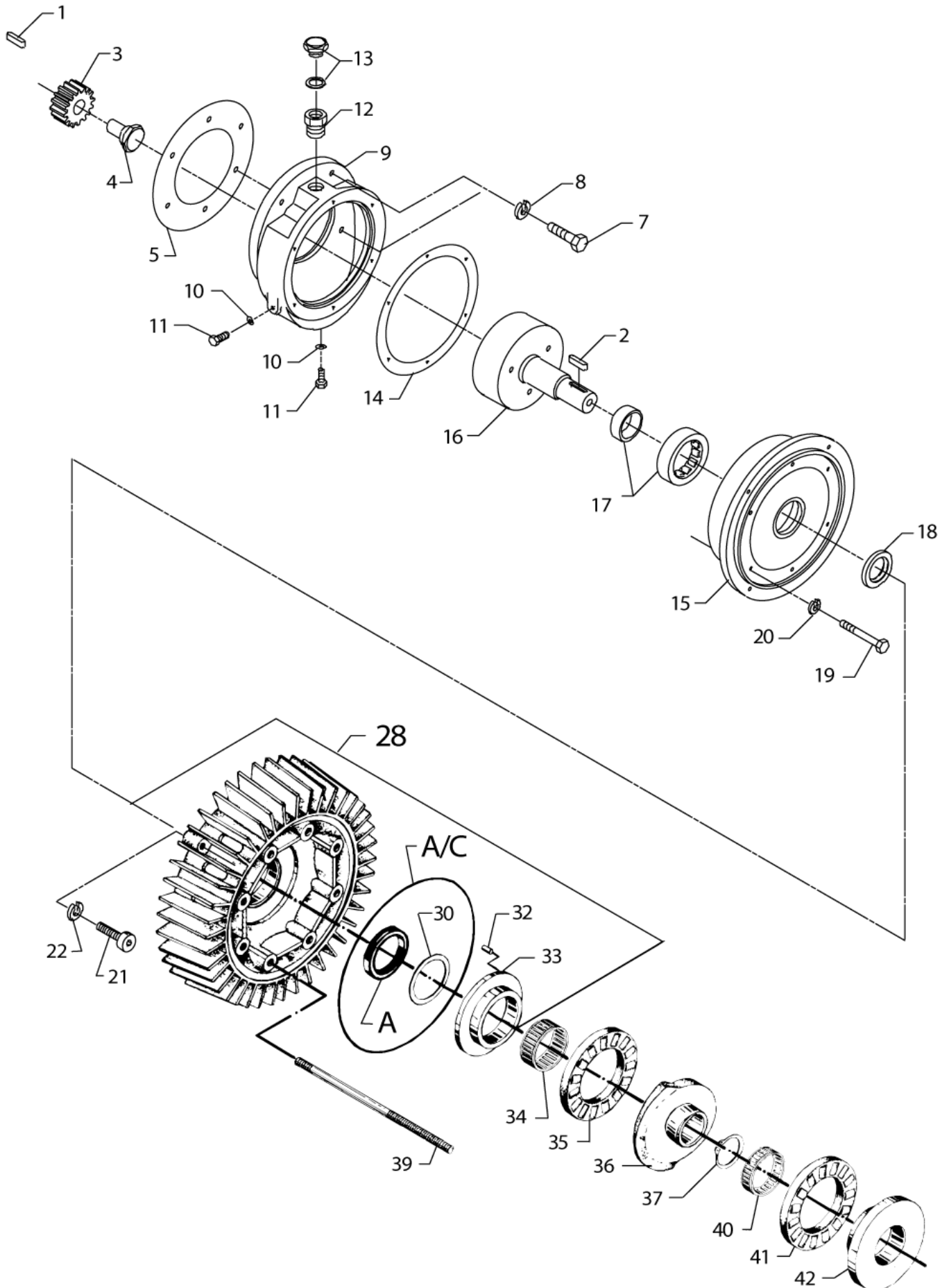
Motor pump unit compl. (a)

CONTRACTOR DIESEL

29-03-2013

StyMiste ID
CONTDIE04

7



Motor pump unit compl. (a)

CONTRACTOR DIESEL

29-03-2013

StyMiste ID
CON DIE04

8

Pos	Vare nr.	Ant	Beskrivelse
0	1119287	1	MOTOR RUGGERINI COMPL.
2	3200672	1	Feder
3	6228661	1	TOOTHED WHEEL UP TO 05.11.94
3	6228667	1	TOOTHED WHEEL
4	6228662	1	SCREW F. TOOTHED WHEEL
5	6228663	1	GASKET FOR MOTOR/GEAR
6	1800150	2	Sætskrue M8X30
7	1803345	4	Skrue M8X30
8	1801182	10	Fjederskive M8
9	6228660	1	TRANSMISSION BOX PART 1
10	3000098	2	COPPER WASHER
11	1803089	2	SCREW INSEX M8X12
12	6401460	1	THREADED CONNECTION
13	1604024	1	SCREW F. OILFILLING
14	6164602	1	GASKET FOR GEAR
15	6164604	1	GEARBOX PART 2
16	6164607	1	GEAR WHEEL W. AXLE
17	3200797	1	ROLLER BEARING NU 207
18	3001146	1	Olietætningsring
19	1802420	6	HEXAGON-HEADED SCREW M6X65
20	1802875	6	Fjederskive M6 Rf
21	1802115	4	Skrue M8X40
22	1801182	4	Fjederskive M8
28	6101750	1	D-Lejedæksel Komp. 03 TSB-PPW-2011-013 C3 Pump information
30	6100995	1	Skive
32	6100996	1	Styrestift
33	107120703	1	Lejeskive
34	3200656	1	Nåleleje Ina K 40X46X17
35	3200615	1	Rulleleje
36	107120707	1	Skråskive 3 NO. 3 HEAVY DUTY
36	107120710	1	Skråskive 6 NO. 6
37	1802511	1	Seegerring U 28 X 1,5
39	6100710	8	Stagbolt F. Pumpe M10X200
39	6301368	8	Stagbolt HEAVY DUTY
40	3200664	1	Nåleleje
41	3200615	1	Rulleleje
42	107120704	1	Lejeskive

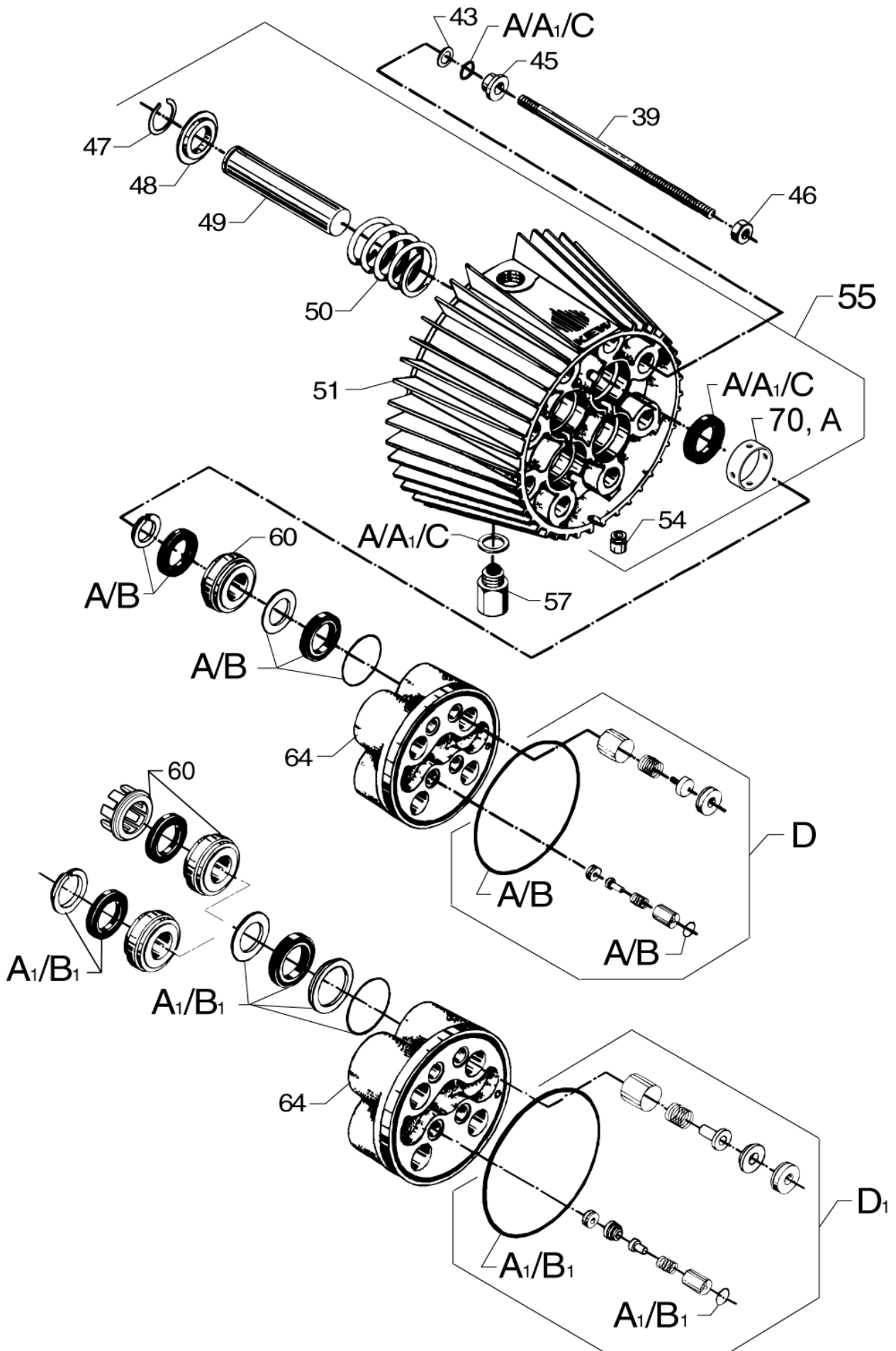
Motor pump unit, compl. (b)

CONTRACTOR DIESEL

29-03-2013

StyMiste ID
CONTDIE06

9



Motor pump unit, compl. (b)

CONTRACTOR DIESEL

29-03-2013

StyMiste ID
CON I DIE06

10

Pos	Vare nr.	Ant	Beskrivelse	
A	6109046	1	Rep.Sæt, Pakninger	
B	1119035	1	Rep.Sæt Pakninger Reduc.	
C	1119820	1	Rep.Sæt Olieætning 03	
D	1119310	1	Rep.Sæt F. Ventiler	
43	6100718	8	Skive F. Stagbolt	
45	6100719	8	Trykring	
46	1800465	8	Møtrik M10	
47	1802529	4	Seeger Springring	
48	6100666	4	Ring F. Returfjeder	
49	6100901	4	Trykstempel	
49	6301166	4	Trykstempel-Keramik C3	HEAVY DUTY
50	102602517	4	Returfjeder C3K	HEAVY DUTY
50	2602274	4	Fjeder Retur C3	
51	6100610	1	Cylinderblok	
54	6100919	1	Dryptud	
55	6101702	1	Cylinderblok Komplet 03	
55	6300071	1	Cylinderblok Komp.	HEAVY DUTY
57	6150400	1	Bundprop	
60	107120700	4	Trykring & Støttering	HEAVY DUTY
60	6100631	4	Trykring	
64	107120701	1	Cylinder	HEAVY DUTY
64	6100907	1	Topstykke	
70	107140321	4	Afstandsstykke	
A1	1119570	1	Rep.Sæt Pakninger C3	HEAVY DUTY
A2	1119568	1	Rep.Sæt Pakninger F.Omløb	HEAVY DUTY
B1	1119571	1	Pakningssæt (Reduceret)	HEAVY DUTY

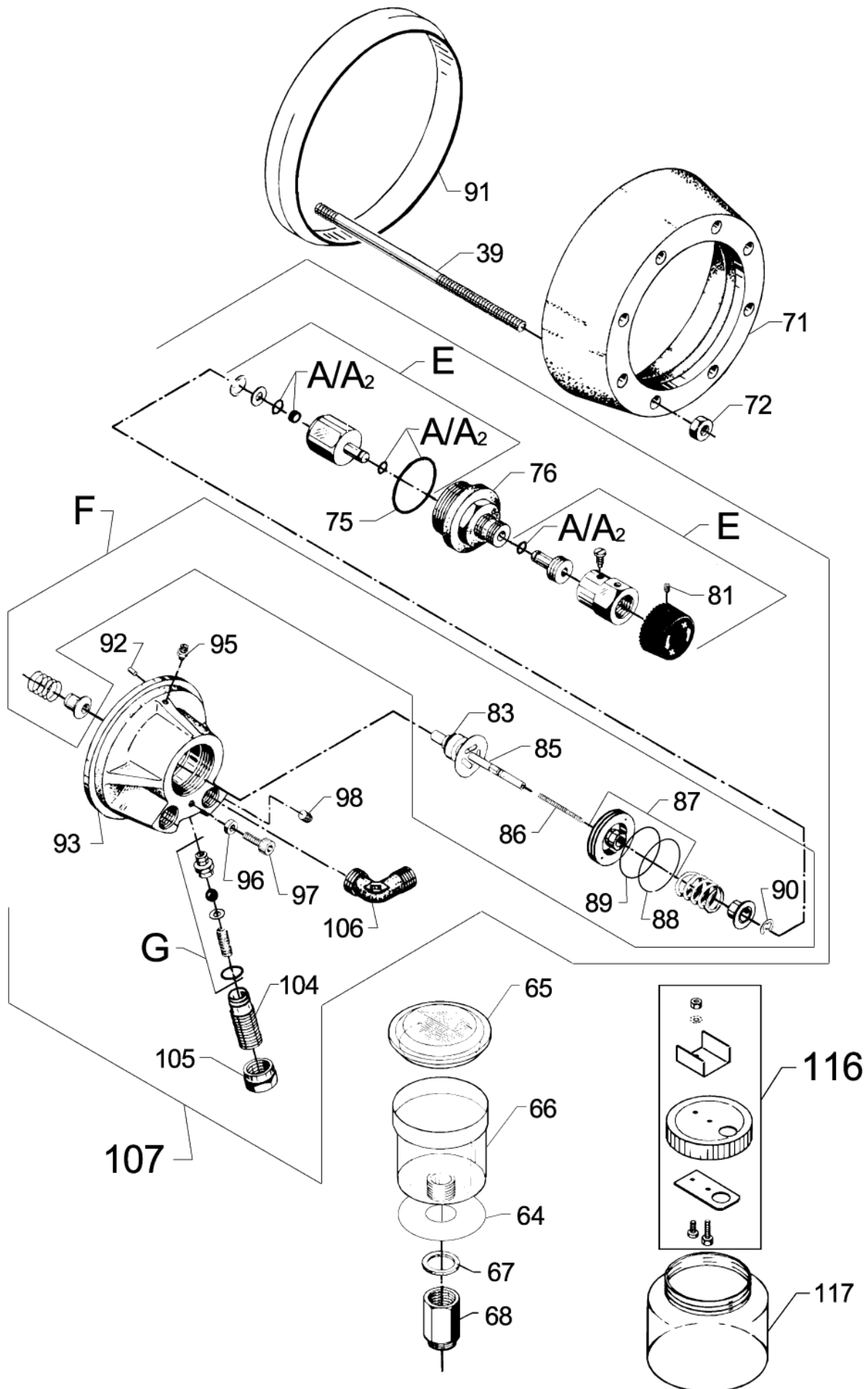
Motor pump unit, compl. (c)

CONTRACTOR DIESEL

29-03-2013

StyMiste ID
CONTDIE08

11



Motor pump unit, compl. (c)

CONTRACTOR DIESEL

29-03-2013

StyMiste ID
CON I DIE08

12

Pos	Vare nr.	Ant	Beskrivelse	
-	5218433	1	Pump Oil Iso 150 1 L.	1,01
A	6109046	1	Rep.Sæt, Pakninger	
E	1118538	1	Rep.Sæt Reguleringsventil	
F	1118580	1	Rep.Sæt F. Omløbsventil	
F	1119315	1	Rep.Kit For Omløbsventil	HEAVY DUTY
G	1118512	1	Rep.Sæt, Sikkerhedsventil	
64	6162617	1	Skive F. Olieglas	
65	2201854	1	Låg F. Olieglas	
66	2200285	1	Olieglas	
67	3000361	1	Kobberskive Ø27Xø21X1,5	
68	6160610	1	Studs	
71	6100602	1	Spændering	
72	1800465	8	Møtrik M10	
75	3001179	1	O-Ring 39,6X2,4 Nitril	
76	6100984	1	Bøsning F. Justerspindel	
81	1802602	1	Kraterskrue M4X6 Rf	
83	3000460	1	O-Ring 11X2 Nitril	
85	6101784	1	Ventilkegle	
86	2600286	1	Fjeder	
87	6100925	1	Stempel F. Omløbsventil	
87	6228554	1	Stempel F. Omløbsventil	HEAVY DUTY
88	6101061	1	Stempeling	
89	3001716	1	O-Ring 35,1X1,6 Nitril	
90	6101069	1	Låsering F. Fjederstyr	
91	6301392	1	Ring F. Motorpumpeenhed	HEAVY DUTY
92	6100996	1	Styrestift	
93	6101042	1	Ventildæksel	
95	1603422	1	"Ligeforskrning Ø4X1/8" "	
96	6100985	1	Låseskive	
97	3913	1	Skrue M6X12	
98	1602333	2	"Rørprop 1/8" "	
104	6100940	1	Justerskrue	
105	6100928	1	Kontramøtrik	
106	1600444	1	"Vinkel Ø12 X 3/8" "	
107	6228559	1	Omløbsventil Kompl.	HEAVY DUTY
107	6228568	1	BY-PASS VALVE COMP. CONTR.DIE	
116	6101625	1	Slamglaslæg Mont.	
117	2200467	1	Slamglas	

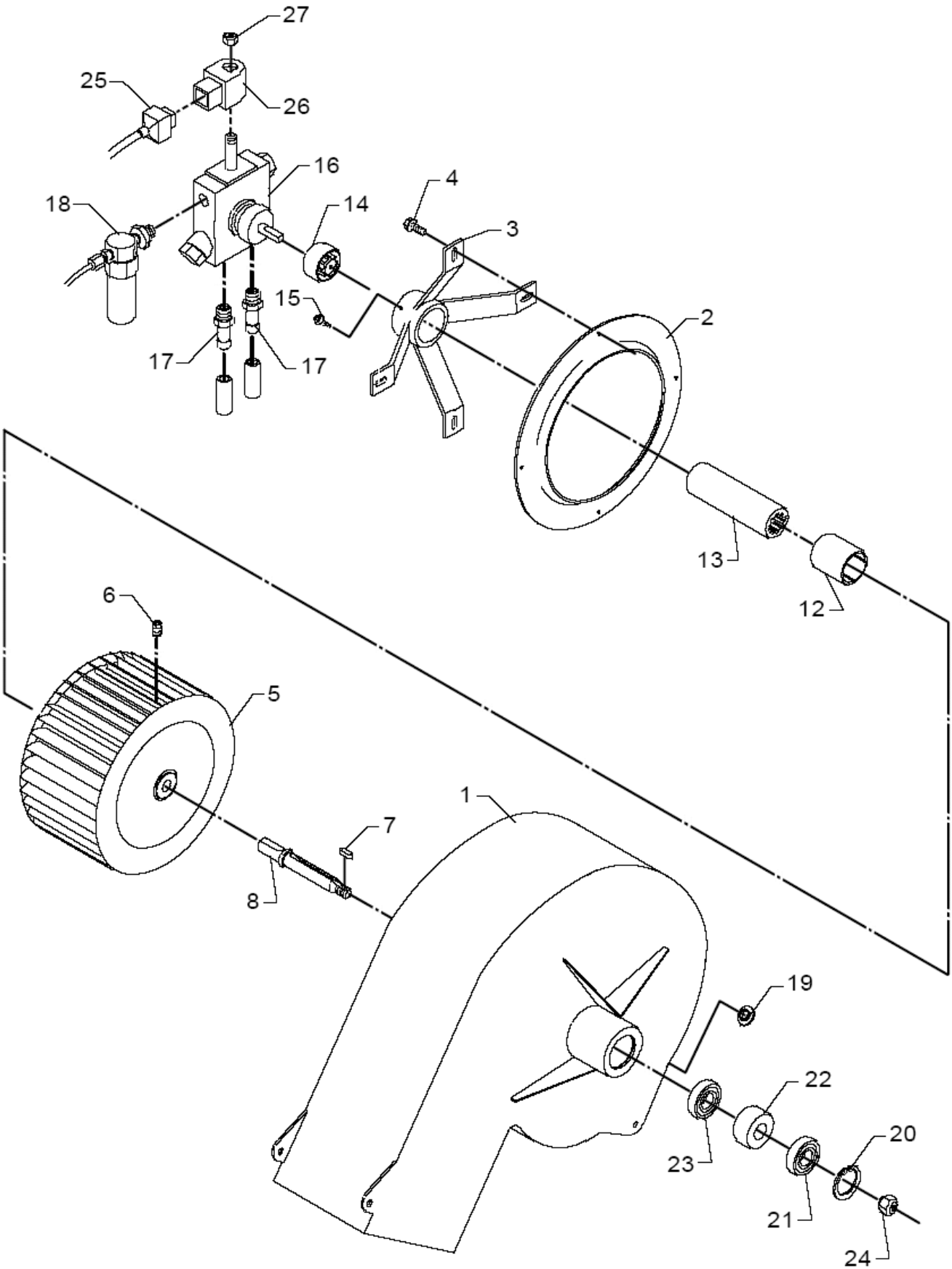
Fan, compl.

CONTRACTOR DIESEL

29-03-2013

StyMiste ID
CONTDIE10

13



Fan, compl.

CONTRACTOR DIESEL

29-03-2013

StyMiste ID
CON I DIE10

14

Pos	Vare nr.	Ant	Beskrivelse
-	6228470	1	FAN COMPL.
1	6220450	1	FAN HOUSING
2	6220403	1	Indsugningstragt
3	6200458	1	Oliepumpekonsol
4	1803956	4	Skrue M4X12
5	6228457	1	Ventilatorhjul F. Contrac
6	1800325	1	Kraterskrue M8X10
7	3200995	1	Feder 4X4X12
8	6201402	1	Blæseraksel
12	3800984	1	Kobling F. Blæserhjul
13	6220404	1	Koblingslange
14	3800992	1	Kobling F. Oliepumpe
15	1801091	1	Skrue M5X10
16	101117978	1	Oliepumpe, 24V
17	1604008	2	"Slangestuds 1/4" "
18	6220456	1	Dæmpecy linder Komp.
19	4601134	1	Dupsko Ø11 Hul
20	1803477	1	Seegerring I 32
21	3200680	1	Kugleleje
22	6200409	1	Afstandsbesøning
23	3201019	1	Kugleleje Grøn
24	1800465	1	Møtrik M10
25	3812906	1	CABLE F. OIL-PUMP
26		1	Spole F. Suntec
26		1	Spole (Danfoss)
30		1	Oliepumpe, 24V
30		1	Rep.Sæt Danfoss Oliepumpe

Flow switch, (outlet)

CONTRACTOR DIESEL

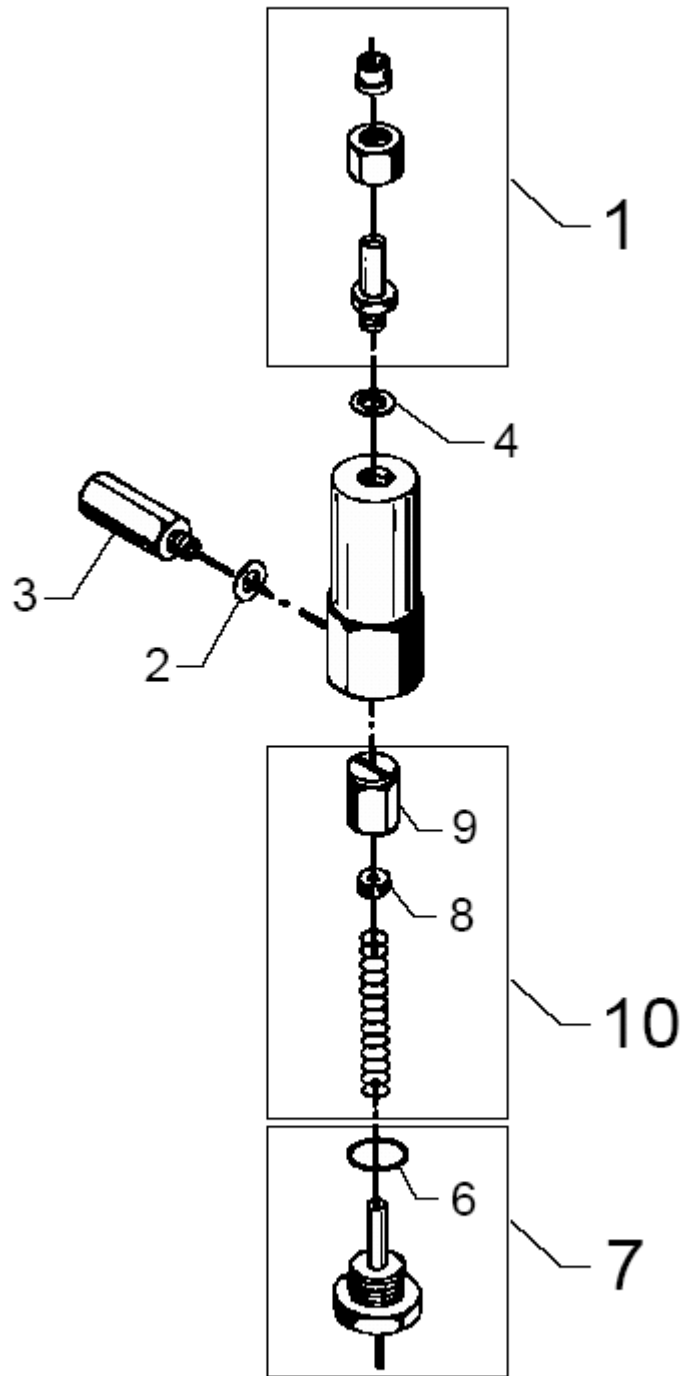
29-03-2013

StyMiste ID
CONTDIE12

15

3

6228572



Flow switch, (outlet)

CONTRACTOR DIESEL

29-03-2013

StyMiste ID
CON I DIE12

16

Pos	Vare nr.	Ant	Beskrivelse
1	6220554	1	Skæreringsforskruning
2	1803493	1	"Tætningsskive F. 1/4"Rg "
3	6220530	1	Hus F. Kontraventil
3	6228572	1	FLOW SWITCH OUTLET (OUTLET)
4	1801075	1	"Tætningsskive 3/8" Rg "
6	3000825	1	O-Ring 20,24X2,62 Nitril
7	6221773	1	Reedkontakt Komp.
8	1803485	1	Ringmagnet Ø14 X Ø5,2 X 9
9	6200554	1	Stempel Komp.
10	1119701	1	Rep.Sæt Strømningskontrol

Flow switch, (boiler)

CONTRACTOR DIESEL

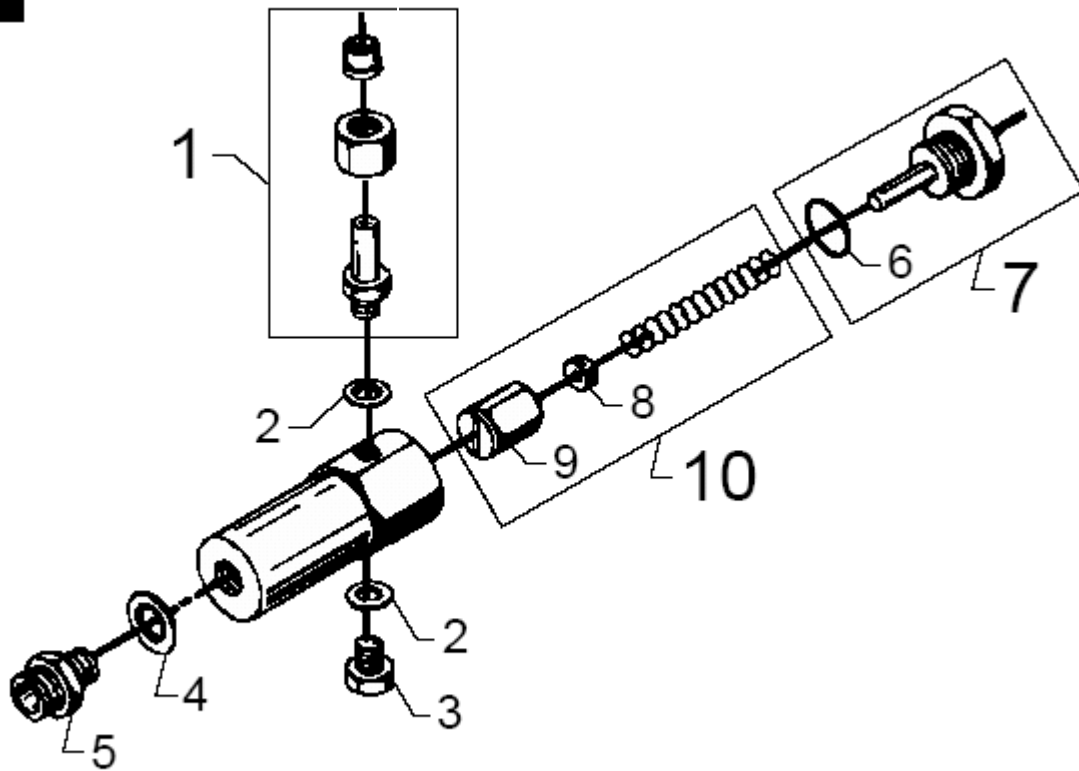
29-03-2013

StyMiste ID
CONTDIE14

17

4

6228570



Flow switch, (boiler)

CONTRACTOR DIESEL

29-03-2013

StyMiste ID
CON DIE14

18

Pos	Vare nr.	Ant	Beskrivelse
1	6200558	1	Skæreringsforskruening
2	1803493	2	"Tætningsskive F. 1/4"Rg "
3	6200529	1	Aftapningsskrue
4	1801075	1	"Tætningsskive 3/8" Rg "
4	6228570	1	Strømningskontrol Kpl (BOILER)
5	1601079	1	Ligeforskruening
6	3000825	1	O-Ring 20,24X2,62 Nitril
7	6221773	1	Reedkontakt Komp.
8	1803485	1	Ringmagnet Ø14 X Ø5,2 X 9
9	6200554	1	Stempel Komp.
10	1119701	1	Rep.Sæt Strømningskontrol

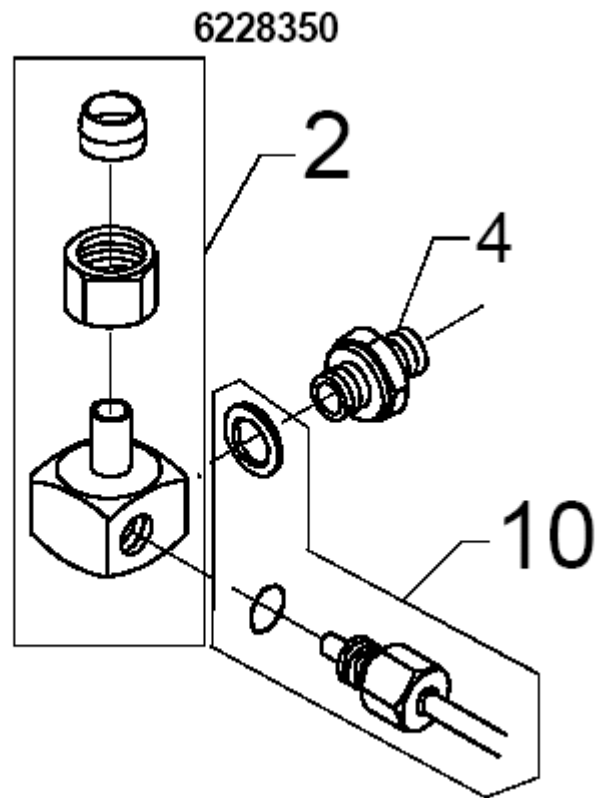
Outlet for coil, elbow, compl.

CONTRACTOR DIESEL

29-03-2013

StyMiste ID
CONTDIE16

19



Outlet for coil, elbow, compl.

CONTRACTOR DIESEL

29-03-2013

StyMiste ID
CON I DIE16

20

Pos	Vare nr.	Ant	Beskrivelse
2	6200360	1	Spiralaf gangsv inkel
4	1601079	1	Ligef orskruning
6	6228350	1	Spiralaf g.Vinkel M Pt500
10	1119011	1	Temp. Føler Rep.Sæt

Outlet for coil, elbow, compl. f. AUS

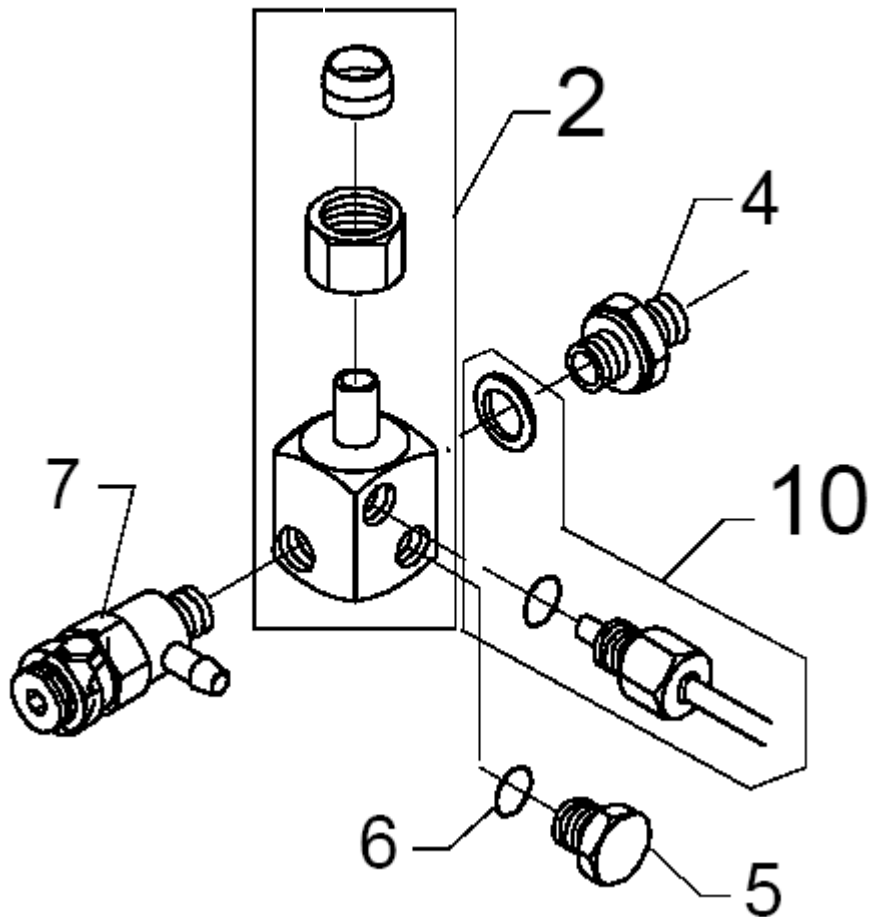
CONTRACTOR DIESEL

29-03-2013

StyMiste ID
CONTDIE18

21

6228357 (AUS)



Outlet for coil, elbow, compl. f. AUS

CONTRACTOR DIESEL

29-03-2013

StyMiste ID
CON DIE18

22

Pos	Vare nr.	Ant	Beskrivelse
2	6220368	1	OUTLET FOR COIL ELBOW
4	1601079	1	Ligeforskrning
5	6200491	1	PLUG
6	3000973	1	O-Ring 8,6X2,4 Viton
6	6228357	1	OUTLET F. COIL ELBOW COMPL. F. AUS
7	6220584	1	Sikkerhedsventil Kompl.
10	1119011	1	Temp. Føler Rep.Sæt

Outlet for coil, elbow, compl. f. N,S

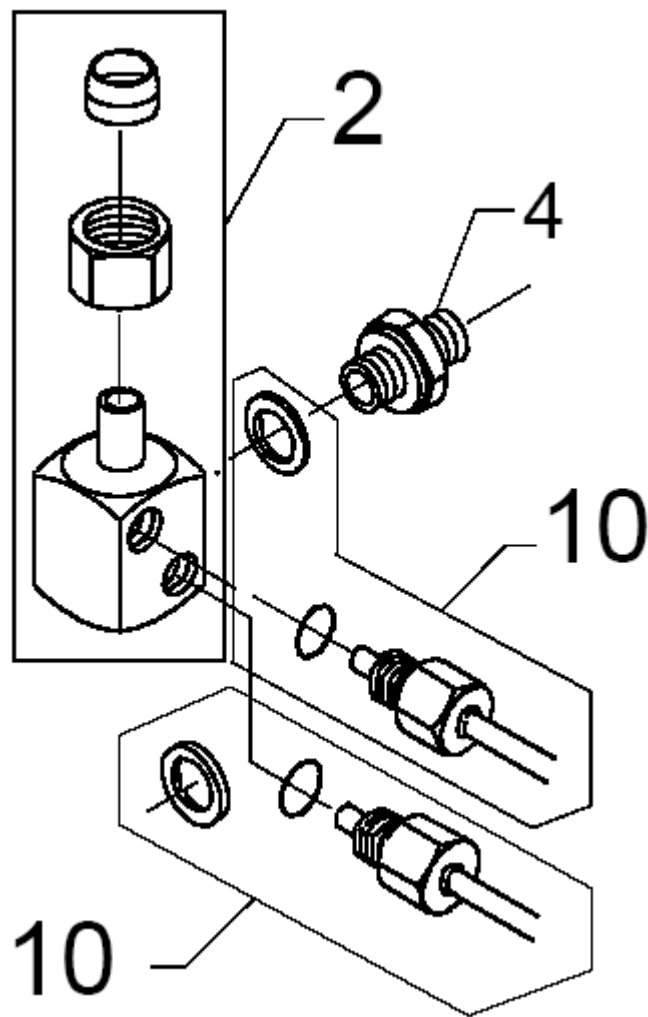
CONTRACTOR DIESEL

29-03-2013

StyMiste ID
CONTDIE20

23

6228354 (N, S)



Outlet for coil, elbow, compl. f. N,S

CONTRACTOR DIESEL

29-03-2013

StyMiste ID
CON I DIE20

24

Pos	Vare nr.	Ant	Beskrivelse
2	6200381	1	Spiralaf gangsv inkel
4	1601079	1	Ligef orskruning
6	6228354	1	Spiralaf gangsv inkel f. N, S
10	1119011	2	Temp. Føler Rep.Sæt

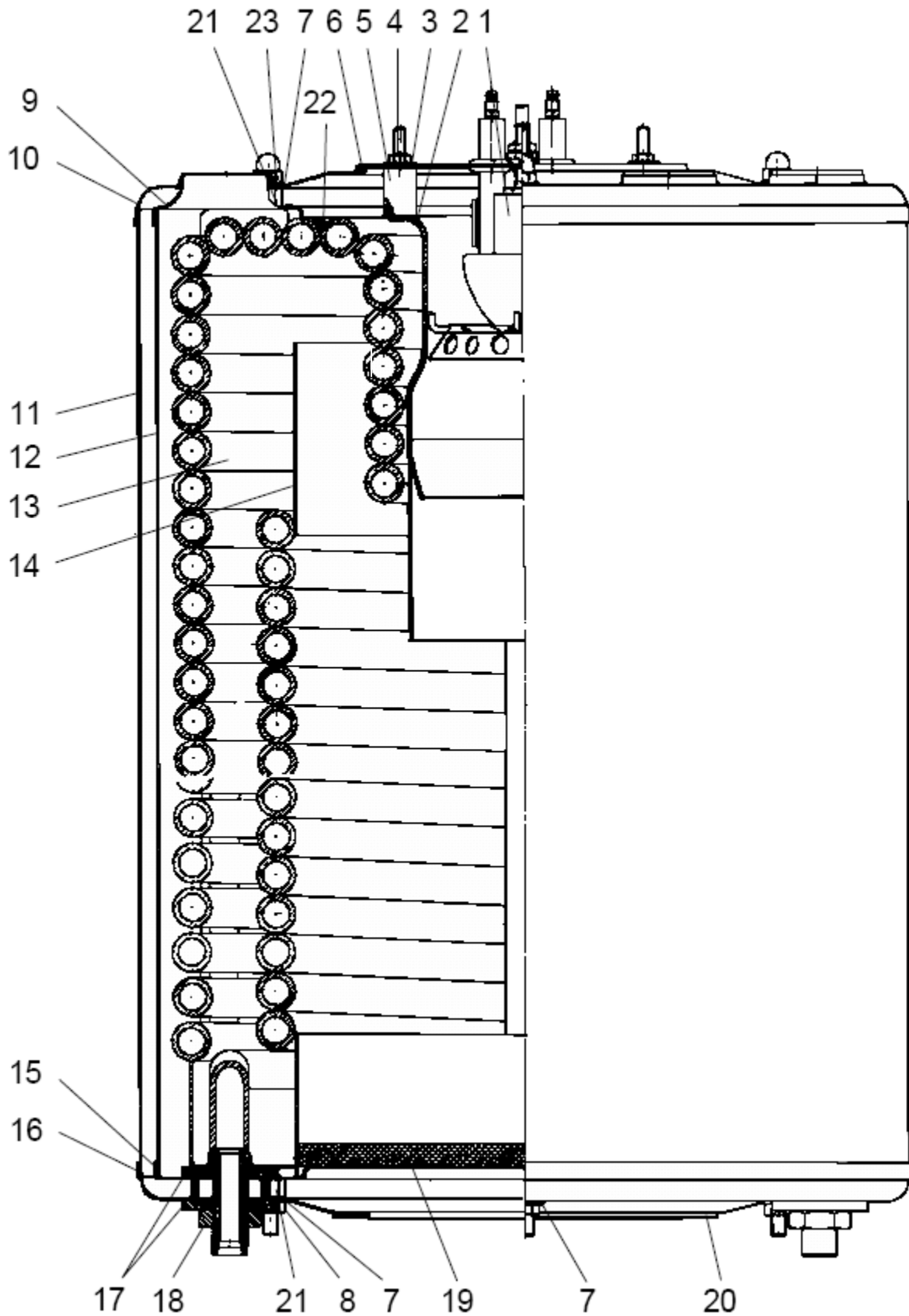
Boiler, compl.

CONTRACTOR DIESEL

29-03-2013

StyMiste ID
CONTDIE22

25



Boiler, compl.

CONTRACTOR DIESEL

29-03-2013

StyMiste ID
CON I DIEZZ

26

Pos	Vare nr.	Ant	Beskrivelse
1	6228380	1	AIR DISTRIBUTOR COMPL.
2	6220354	1	Brænderrør
3	1800440	3	Plansskive M6
4	1800705	3	Møtrik M6
5	6200281	3	Afstandsøsning F.Brænder
6	3001104	1	O-Ring 164.3X3.0 Nitril
7	1800796	7	Skive M8
8	2758	3	HEXAGON NUT M8
9	6200354	1	Kedeltop Indvendig
10	6200250	1	Kedeltop, Udv .
11	6220257	1	Ydersvøb
12	6220258	1	Indersvøb, 03V
13	6220393	1	Spiral 03V, Contr. Diesel
14	6220351	1	Flammerør
15	6200253	1	Kedelbund, Indv .
16	6200355	1	Kedelbund Udvendig
17	6200273	4	Skive
18	1803220	2	Kontramøtrik M18X1,5
19	6240257	1	Keramisk Kedelisolering
20	6200282	1	Pakning F. Kedel
21	6200286	6	Kedelmøtrik
22	6200299	1	Paksnor
23	1807528	3	Topmøtrik M8 Rustfri

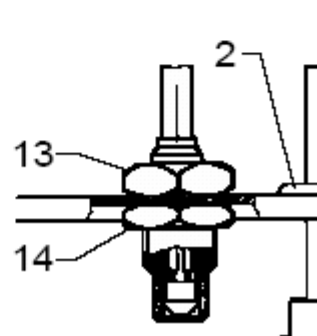
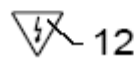
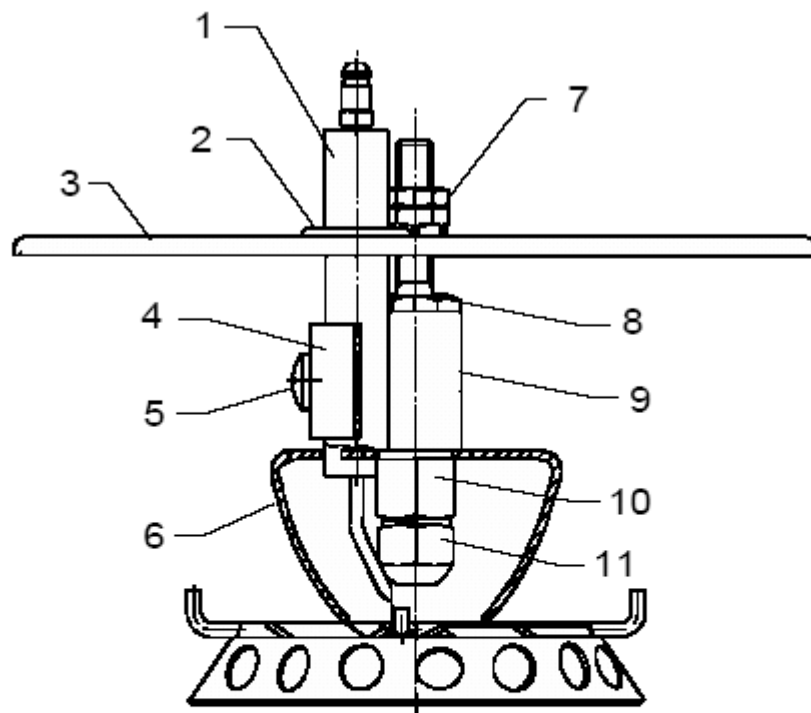
Air distributor, compl.

CONTRACTOR DIESEL

29-03-2013

StyMiste ID
CONTDIE24

27



Air distributor, compl.

CONTRACTOR DIESEL

29-03-2013

StyMiste ID
CON I DIE24

28

Pos	Vare nr.	Ant	Beskrivelse
1	6200326	2	Tændelegtrode
1	6228380	1	AIR DISTRIBUTOR COMPL.
2	3001427	2	Kabelgennemføring
3	6200373	1	Dæksel-Luftfordeler M.Føle
4	6200260	1	Elektrodebøjle
5	1801273	1	Maskinskrue M6X12
6	6200365	1	Luftfordeler
7	1803402	1	Kontramøtrik M8X1
8	6200296	1	Møtrik F. Dyseholder
9	6200297	1	Elektrodeholder
10	6220250	1	Dyseholder, Lang
11	2800142	1	Dyse 10,29 60 Gr 5
13	6228377	1	Føler F Flammeovervågning.
14	1803535	1	"Kontramøtrik 1/4" X 5 "

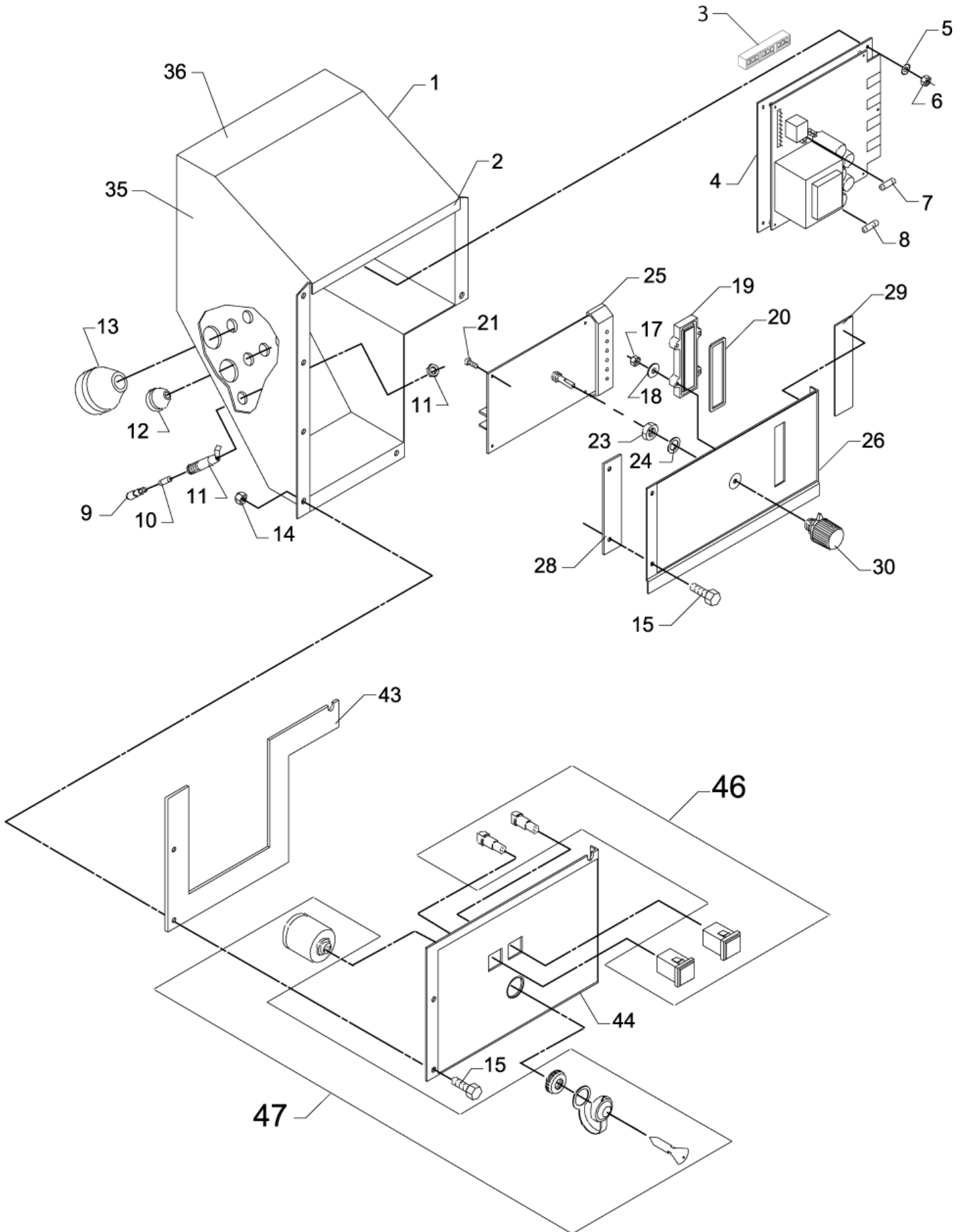
Connection box, compl.

CONTRACTOR DIESEL

29-03-2013

StyMiste ID
CONTDIE26

29



Connection box, compl.

CONTRACTOR DIESEL

29-03-2013

StyMiste ID
CON I DIE26

30

Pos	Vare nr.	Ant	Beskrivelse	
1	6228859	1	El. Control Box Alto	
2	6228752	1	GASKET	
4	6420013	1	Print F.Contractor Diesel	
5	1810308	4	STAR WASHER M4 INTERN.TOOTHING	
6	1800127	4	Låsemøtrik M4	
7	3819539	1	Sikring Ø5X25	1 A T
8	3812385	1	Sikring Ø5X20	6,3 AT
9	3812666	1	Indsats F. Sikringsholder	
H	4208591	1	Advarselskilt F Optøning	
10	3808250	1	Sikring Ø5X20 1,25A	1,25 A
11	3812674	1	Sokkel F. Sikringsholder	
12	3803764	6	Pakdåse Tet 5-7C	TET 5-7 C
13	3803780	2	Pakdåse Tet 10-14C	TET 10-14 C
13	3803798	2	Pakdåse Tet 14-20C	TET 14-20 C, UP TO 19.08.94
14	1805399	4	Låsemøtrik M/Ny lonring M6	
15	1813484	5	Skrue Insex M6X16	
17	2759	4	Møtrik M8	
18	1800887	4	WASHER M4	
19	6200729	1	INSPECTION GLASS F.THERMONETER	
20	6201756	1	GASKET FOR PANE	
21	1803139	4	Maskinskrue M3X6	
23	1803535	1	"Kontramøtrik 1/4" X 5 "	
24	3001468	1	Fiberpakning Ø20Xø14X1	
25	6420009	1	Elektronisk Sty ring	
26	1119384	1	COVER I F. CONNECTION BOX	KEW TECHNOLOGY
26	1119385	1	COVER 1 F. CONNECTION BOX + LO	HEAVY DUTY, KEW TECHNOLOGY
28	6228748	1	GASKET RIGHT	RIGHT
29	6228751	1	GASKET LEFT	LEFT
30	1117381	1	Drejeknap F.Potentiometer	
43	6228749	1	GASKET	
44	1119281	1	COVER 2/ LABLE CONTR.D REP.KIT	
46	1119282	1	REP. KITS LAMPS	
47	3821281	1	Tændingslås (Ruggerini)	

Throttle lever 98.33>

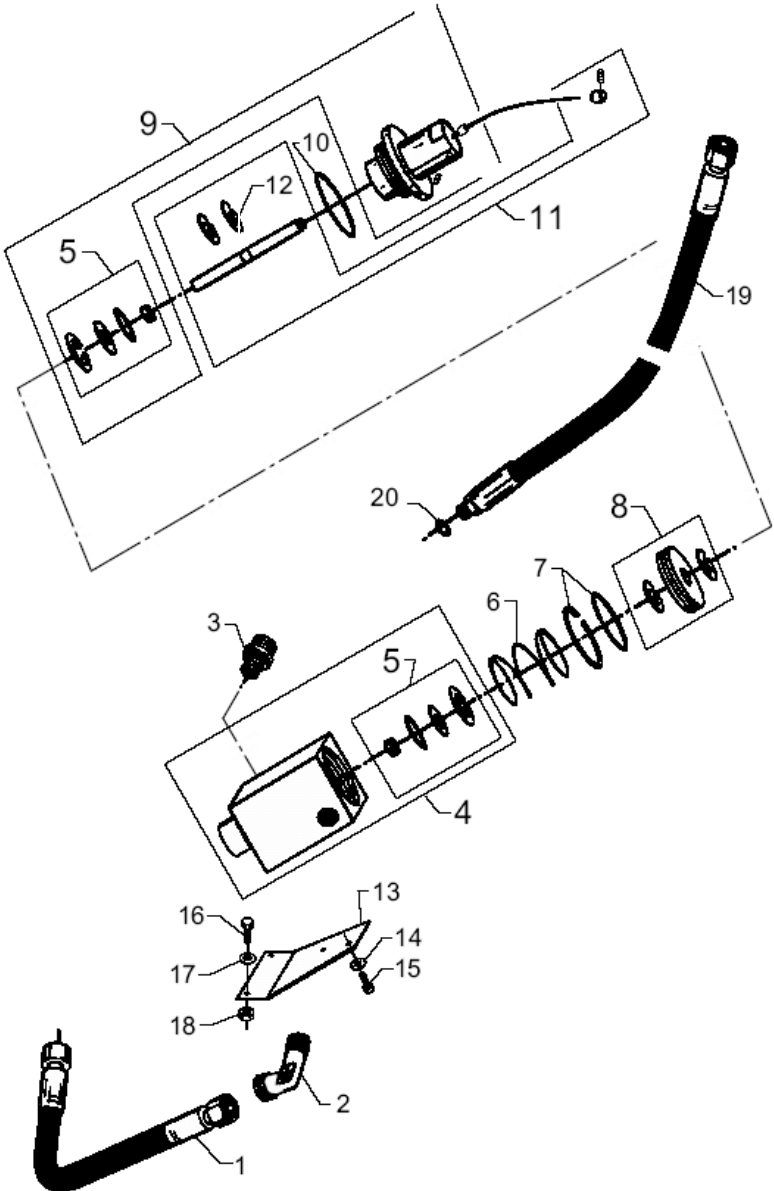
CONTRACTOR DIESEL

29-03-2013

StyMiste ID
CONTDIE28

31

98.33 >



Throttle lever 98.33>

CONTRACTOR DIESEL

29-03-2013

StyMiste ID
CON I DIE28

32

Pos	Vare nr.	Ant	Beskrivelse
0	6402022	1	THROTTLE LEVER COMPL. FROM 98.33
1	1405663	1	Slange, L=307
2	1603119	1	"Vinkel Ø12X1/4" "
3	1601079	1	Ligeforskruning
4	6404356	1	REP. KIT HOUSING TROTTLE CONTROL
5	1119590	1	Rep.Sæt F. Stempeltætning
6	6162627	1	Returfjeder F Gasregu.
7	1119591	1	Rep.Sæt O-Ring+Stempelr.
8	1119592	1	Rep.Sæt F. Stempel
9	6404355	1	REP. KIT PLUG TROTTLE CONTROL
10	3004242	1	O-Ring 30,3X2,4
11	1119400	1	CABLE REP.KIT
12	1814086	2	Seeger
13	6228899	1	FITTING
14	1805191	2	SAFETY WASHER
15	1801638	2	SCREW HEX CAP M6X10
16	1813484	2	Skrue Insex M6X16
17	1800440	4	Plansskive M6
18	1805399	1	Låsemøtrik M/Ny lonring M6
19	1405664	1	Slange L=1025
20	3000064	1	O-Ring 14,1X1,6 Nitril

Throttle lever >98.32

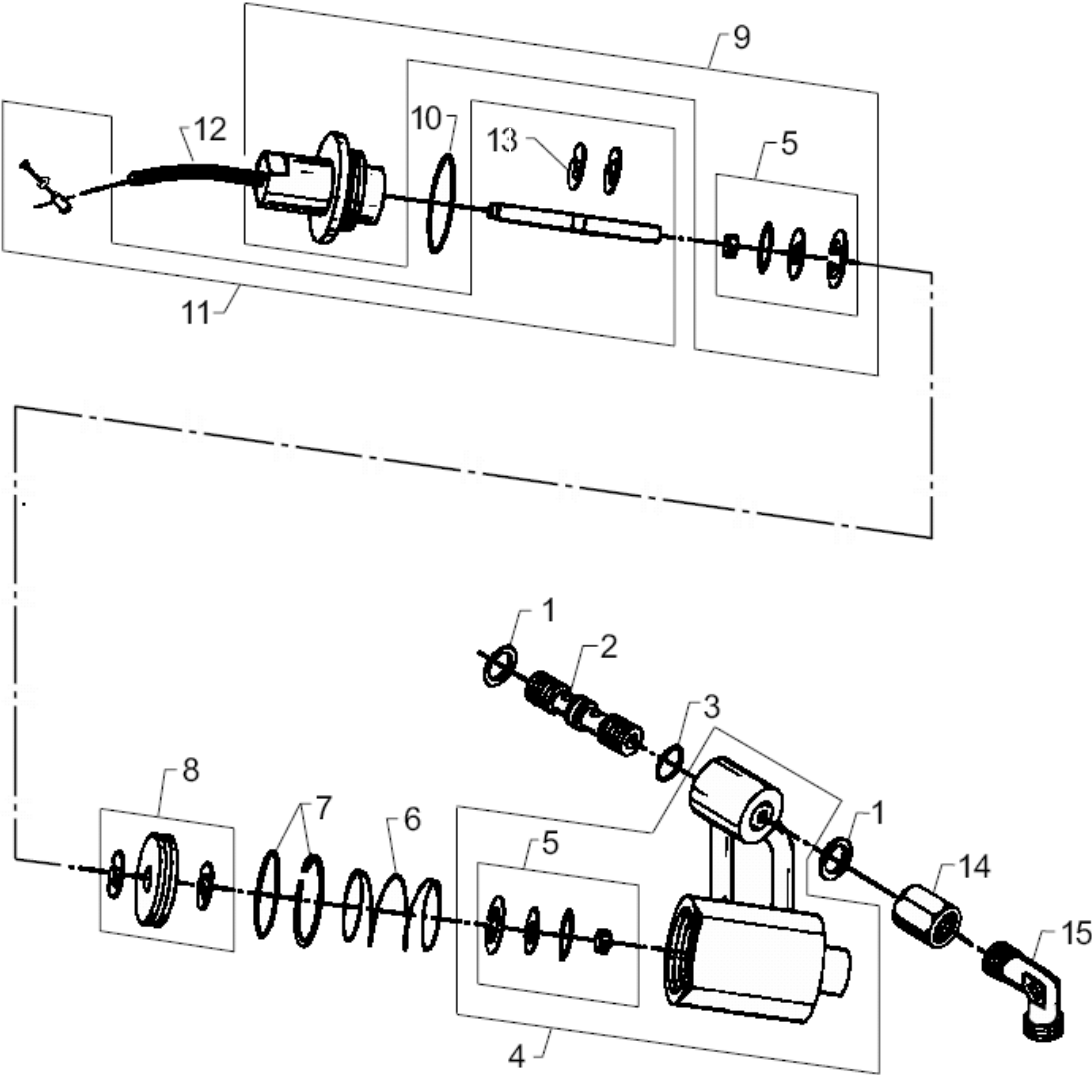
CONTRACTOR DIESEL

29-03-2013

StyMiste ID
CONTDIE30

33

> 98.32



Throttle lever >98.32

CONTRACTOR DIESEL

29-03-2013

StyMiste ID
CON I DIE30

34

Pos	Vare nr.	Ant	Beskrivelse
1	1801075	2	"Tætningsskive 3/8" Rg "
2	6400712	1	Støtterør F. Banjorør
3	3001682	1	O-Ring 12,3X2,4
4	6162619	1	Banjorør M. Hus Komp.
5	1119590	1	Rep.Sæt F. Stempeltætning
6	6162627	1	Returfjeder F Gasregu.
7	1119591	1	Rep.Sæt O-Ring+Stempelr.
8	1119592	1	Rep.Sæt F. Stempel
9	6404319	1	PLUG COMPL.
10	3004242	1	O-Ring 30,3X2,4
11	1119374	1	Rep. Sæt For Gaskabel
12	6401950	1	CABLE PROTECTOR
13	1814086	2	Seeger
14	6401895	1	"Sleeve 3/8" "
15	1606110	1	"Vinkelforskr. Ø12X3/8"Krg "

Default accessories

CONTRACTOR DIESEL

29-03-2013

StyMiste ID
CONTDIE32

35

Ingen tegning

Default accessories

CONTRACTOR DIESEL

29-03-2013

StyMiste ID
CON I DIE32

36

Pos	Vare nr.	Ant	Beskrivelse
1	101119745	1	"Tornado+ 0640 1/8" "
1	106402190	1	Spulehåndtag Ergo 3000
1	106403010	1	Tornado Plus, Uden Dyse LænGDe: 112 Cm.
1	6101766	1	Dampslange 10 M.