

TW 300 S, TW 300 CAR, HOME CLEANER

Model:
HOME CLEANER
TW 300
TW 300 CAR



Stykliste Dansk

23-03-2011

Indholdsfortegnelse

TW 300 S, TW 300 CAR, HOME CLEANER

HOME CLEANER - Tube, hose and lever	3
HOME CLEANER - Nozzles and bag	5
Cabinet	7
Vac motor	9
Carpet adaptor	11
Hand adaptor	13
Spray pump	15
Bottom plate, wheels	17

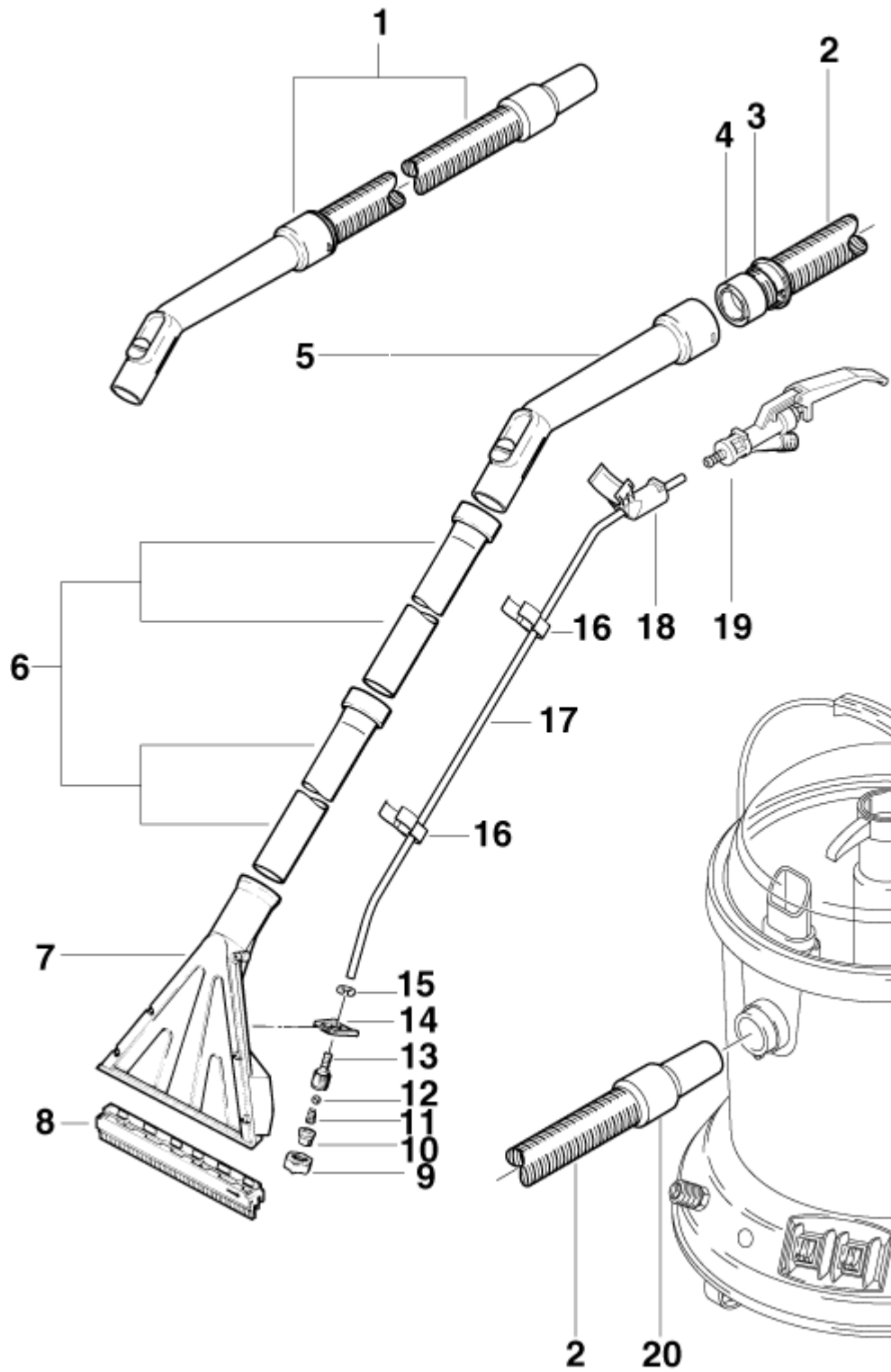
HOME CLEANER - Tube, hose and lever

TW 300 S, TW 300 CAR, HOME CLEANER

23-03-2011

StyMiste ID
HOMECL03

3



Homecleaner-103-S

HOME CLEANER - Tube, hose and lever

23-03-2011

TW 300 S, TW 300 CAR, HOME CLEANER

StyMiste ID

HOMECL03

4

Pos	Vare nr.	Ant	Beskrivelse	EAN
1	48331	1	SUGESLANGE KOMPL. Ø32	4005337483
2	14240	1	SLANGE UNIV.Ø32 P/MTR P/METER	4005337142
			PLEASE INDICATE LENGTHS IN METRES WHEN ORDERING	
3	61154	2	RING	4005337611
4	302000476	2	BØSNING	4005337682
5	48332	1	RØRBØJNING	4005337483
6	15546	1	FORLÆNGERRØR, 2 STK, Ø36 500MM	4005337155
7	47895	1	SUGEMUNDSTYKKE	4005337478
8	47896	1	INDSATS F.SUGEMUNDSTYKKE	4005337478
9	7365	1	CAP NUT R3/8	4005337073
10	7364	1	SPRAYDYSE	4005337073
11	34477	1	SINGLE NOZZLE SPRING	4005337344
12	34478	1	SINGLE NOZZLE BALL	4005337344
13	34479	1	NOZZLE HOLDER (TW 300S)	4005337344
14	47897	1	PLATE	4005337478
15	34480	1	SKIVE	4005337344
16	48375	2	HOSE CLIP	4005337483
17	28090	1	CHEMICAL TUBE	4005337280
18	34481	1	MOUNTING TW 300 S	4005337344
19	48376	1	HÅNDTAG	4005337483
20	46679	1	SLANGEMUFFE	4005337466

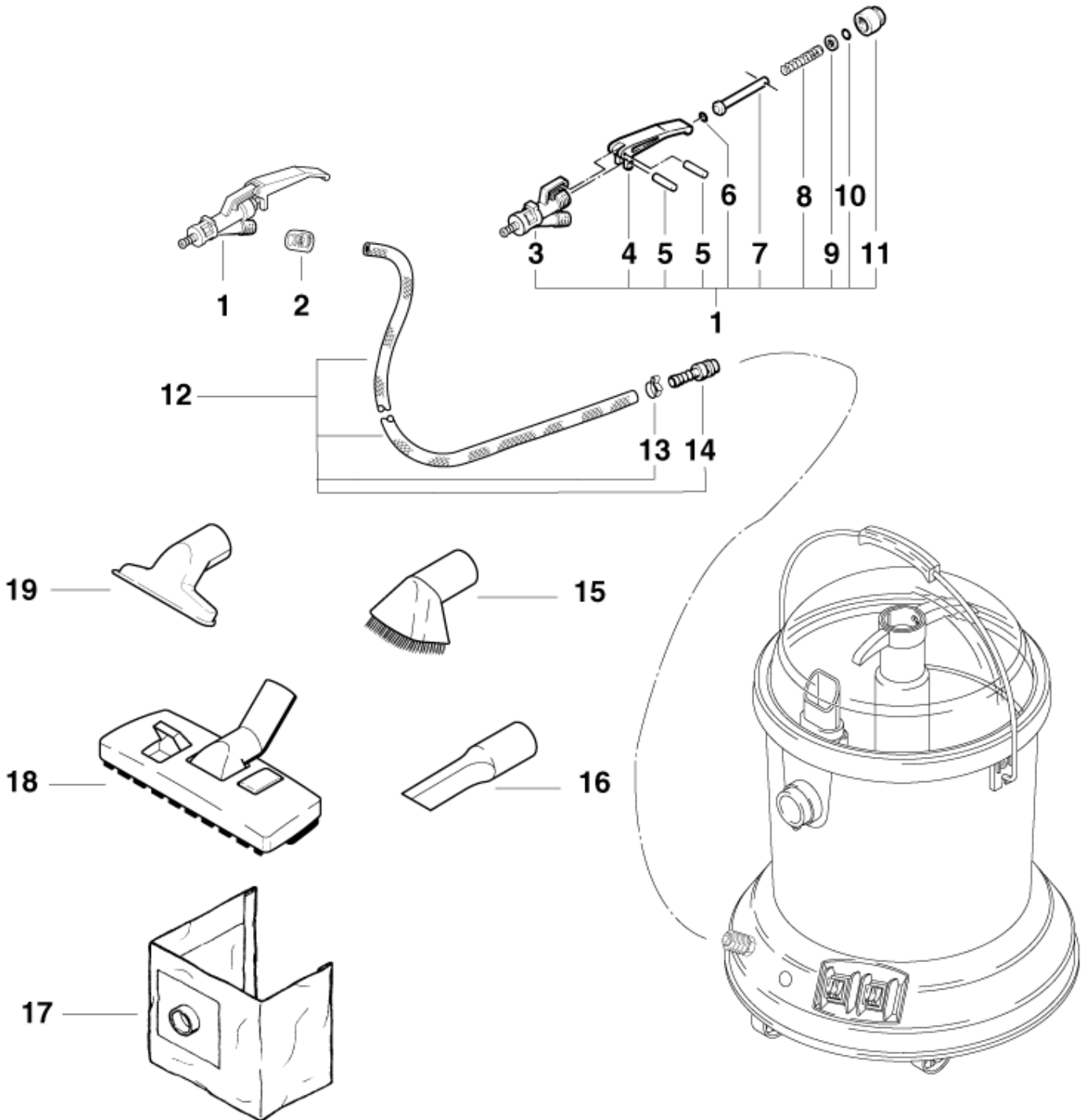
HOME CLEANER - Nozzles and bag

23-03-2011

StyMiste ID
HOMECL04

TW 300 S, TW 300 CAR, HOME CLEANER

5



HOME CLEANER - Nozzles and bag

23-03-2011

StyMiste ID
HOMECL04

TW 300 S, TW 300 CAR, HOME CLEANER

6

Pos	Vare nr.	Ant	Beskrivelse	EAN
1	48376	1	HÅNDTAG	4005337483
2	48379	1	CAP NUT 8-6 _	4005337483
3	34482	1	VALVE BODY	4005337344
4	7399	1	LEVER	4005337073
5	7401	2	CYLINDRICAL PIN 1,5X14 VA	4005337074
6	3001633	1	O-RING 5,3X2,4 VITON	5701715038
7	7400	1	VALVE PIN	4005337074
8	7370	1	SPRING	4005337073
9	15498	1	SCREW 5,3X1,0 A 125 VA	4005337154
10	7368	1	O-RING 5.0X2.0 DIN 3770 NBR70	4005337073
11	7371	1	CAP NUT R3/8X19,2	4005337073
12	48377	1	SLANGE	4005337483
13	48378	1	BUSH D10	4005337483
14	48820	1	HOSE LINER DN6	4005337488
15	5146	1	BØRSTE Ø36	4005337051
16	6084	1	FUGEMUNDSTYKKE, PLAST Ø36	4005337060
17	6695	1	STØVPOSE TW (10 STK)	4005337066
18	302000477	1	KOMBIMUNDSTYKKE Ø36 260MM	4005337682
19	14295	1	POLSTERMUNDSTYKKE MBØRST Ø36 115MM	4005337142

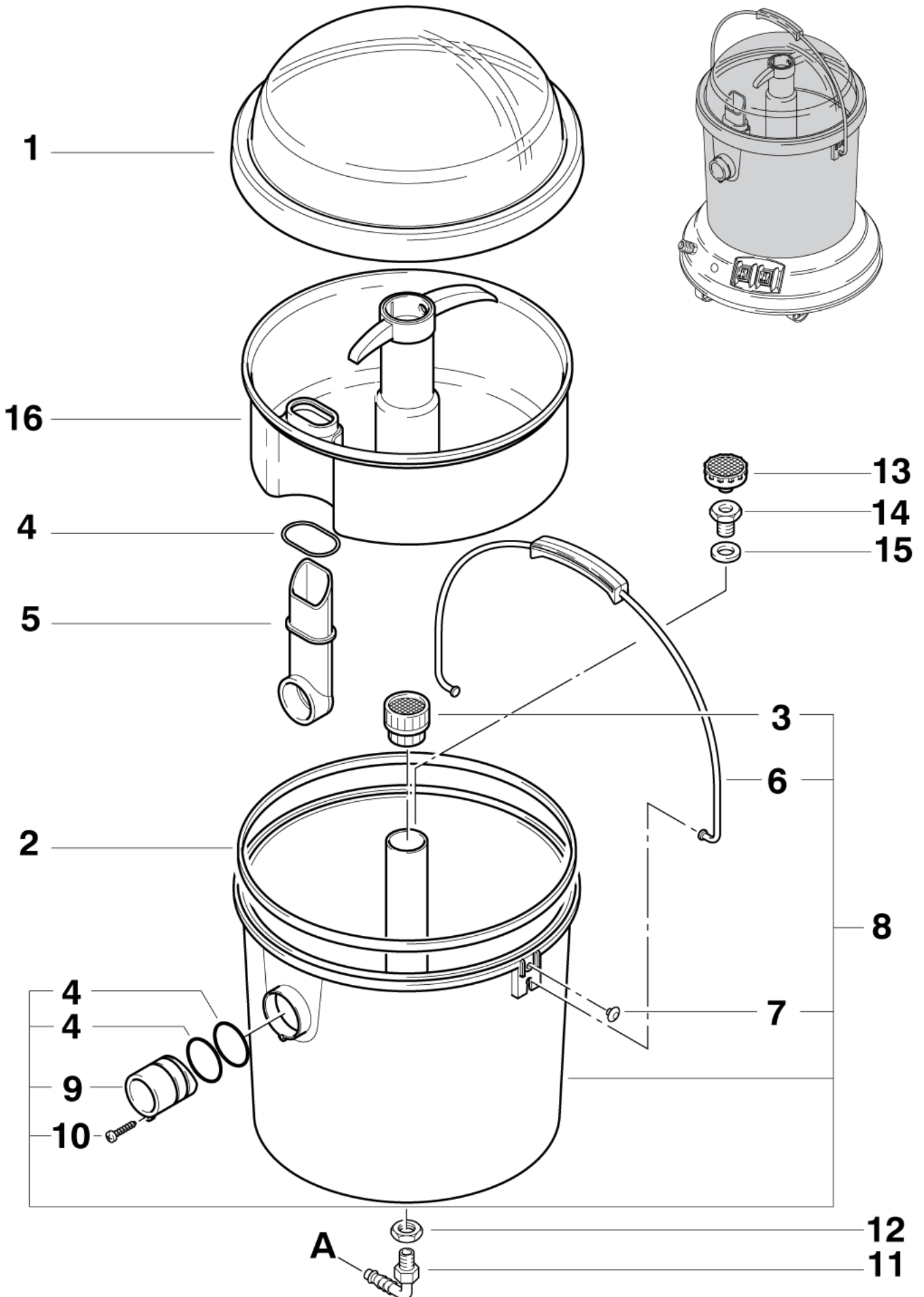
Cabinet

TW 300 S, TW 300 CAR, HOME CLEANER

23-03-2011

StyMiste ID
TW300S300CAR01

7



Cabinet

23-03-2011

StyMiste ID
TW300S300CAR01

TW 300 S, TW 300 CAR, HOME CLEANER

8

Pos	Vare nr.	Ant	Beskrivelse	EAN
0	31000269	1	CARDBOARD BOX TW300/SW250	5715492061
1	7211	1	ACRYLTOP FOR TW	4005337072
2	48323	1	PACKING RING 290X7,5X8	4005337483
3	48324	1	STRAINER	4005337483
4	4643	3	O-RING 38,0 X3,0 SMS 1586 NBR70	4005337046
5	7350	1	SPRAY JET BENT WAS 7210	4005337073
6	48325	1	U-BRACKET WITH HANDLE D	4005337483
7	48326	2	PUFFER	4005337483
8	67081	1	BEHOLDER	4005337670
9	46766	1	INDGANGSBØSNINF TW400	4005337467
10	3351	1	SHEET METAL SCREW 3,5X16	4005337033
11	7356	1	HOSE LINER Ø8 R1/4	4005337073
12	7393	1	HEXAGON NUT R3/8X5	4005337073
13	7282	1	FRESH WATER FILTER DUR.40	4005337072
14	15629	1	NIPPLE	4005337156
15	7279	1	PACKING RING Ø17X2XØ32	4005337072
16	7342	1	WASTE WATER TANK	4005337073

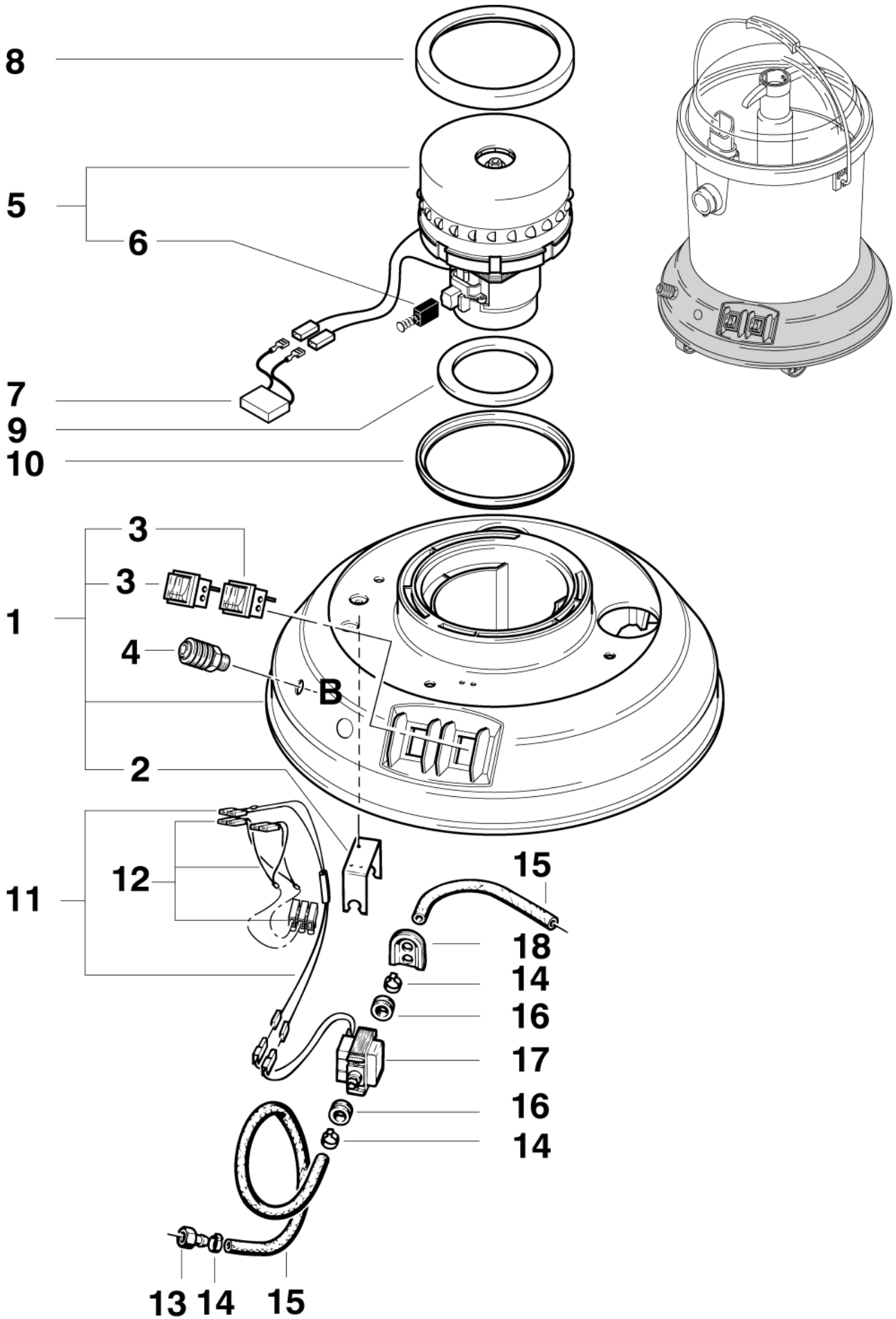
Vac motor

TW 300 S, TW 300 CAR, HOME CLEANER

23-03-2011

StyMiste ID
TW300S300CAR02

9



Vac motor

TW 300 S, TW 300 CAR, HOME CLEANER

23-03-2011

StyMiste ID
TW300S300CAR02

10

Pos	Vare nr.	Ant	Beskrivelse	EAN
1	67083	1	DÆKSEL	4005337670
2	7386	1	MONTERINGSBESLAG	4005337073
3	43989	2	SWITCH F. TW300S	4005337439
4	7354	1	COUPLING 1/4"	4005337073
5	11487	1	EL MOTOR	4005337114
6	15762	1	KULBØRSTE SÆT	4005337157
7	7225	1	INTERFERENCE SUPPRESSION	4005337072
8	31843	1	MOTORPAKNINGSRING	4005337318
9	15712	1	PACKING RING 78X105X10 GUM	4005337157
10	31844	1	MOTORPAKNINGSRING	4005337318
11	7389	1	CABLE LEAD WIRE W. DIODES	4005337073
12	34042	1	CABLE NET WITH CLAMPS	4005337340
13	7355	1	HOSE LINER Ø8 R1/4	4005337073
14	7239	3	HOSE CLIP Ø14,5	4005337072
15	101406100	1	KEMISLANGE, 5 METER	Please indicate required length when ordering! 4005337163
16	7385	2	RETAINING RING	4005337073
17	48330	1	PUMPE SSE 350	HOME CLEANER 4005337483
17	7343	1	IMPULS PUMPE	TW 300 4005337073
18	7395	1	RUBBER SPOUT	4005337073

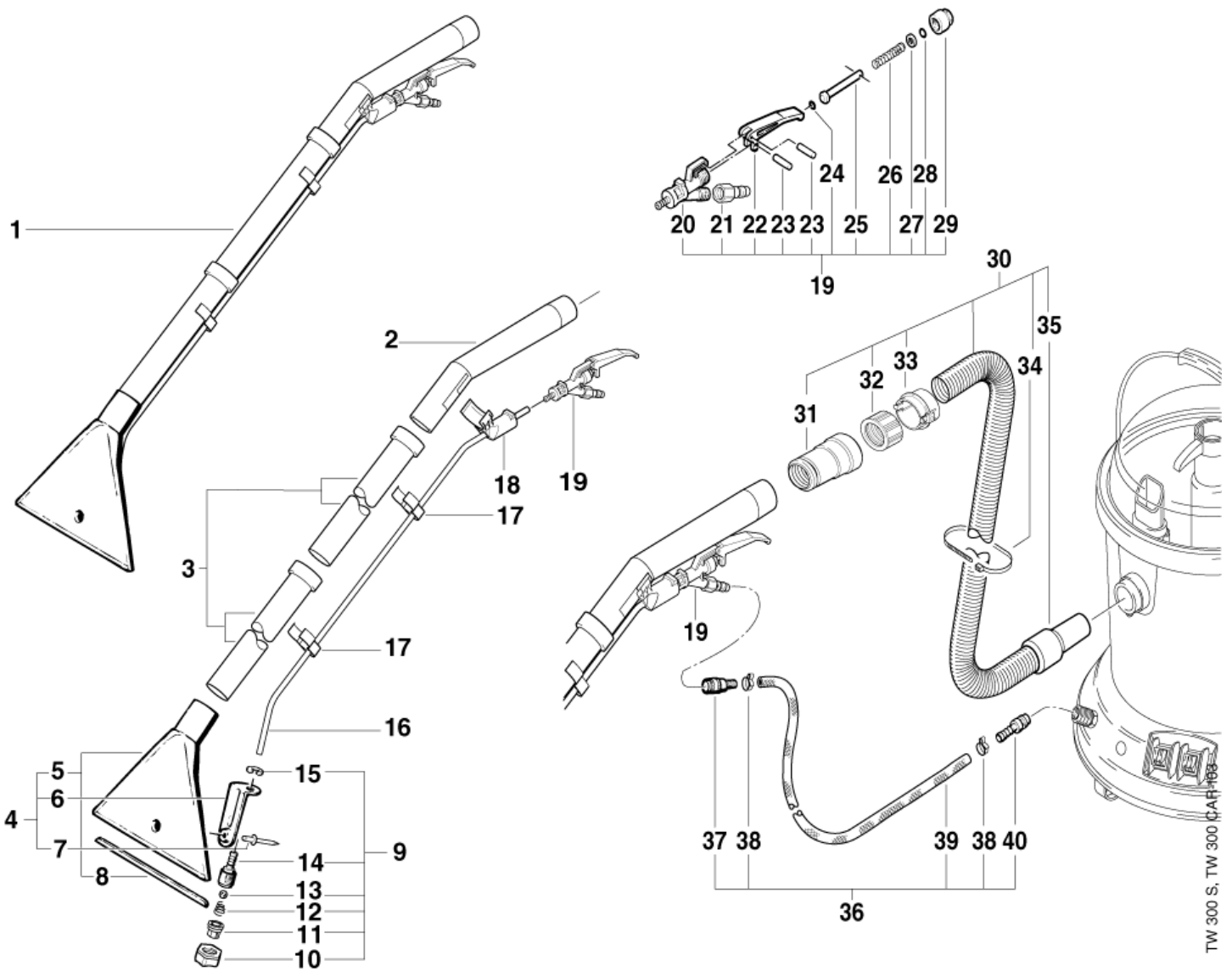
Carpet adaptor

TW 300 S, TW 300 CAR, HOME CLEANER

23-03-2011

StyMiste ID
TW300S300CAR03

11



Carpet adaptor

TW 300 S, TW 300 CAR, HOME CLEANER

23-03-2011

StyMiste ID
TW300S300CAR03

12

Pos	Vare nr.	Ant	Beskrivelse	EAN
1	7310	1	TÆPPEMUNDST. INCL. RØR 260MM METAL	4005337073
2	34475	1	RØRBØJNING PLAST F/TW	4005337344
3	15546	1	FORLÆNGERRØR, 2 STK, Ø36 500MM	4005337155
4	34472	1	SUGEMUNDSTYKKE	4005337344
5	34473	1	SUGEMUNDSTYKKE TW300 S	4005337344
6	7247	1	BRAKETT F 7243	4005337072
7	15792	1	NAGLE	4005337157
8	7245	1	SLIDE RAILS FOR CARPET	4005337072
9	34476	1	SPRAY NOZZLE	4005337344
10	7365	1	CAP NUT R3/8	4005337073
11	7364	1	SPRAYDYSE	4005337073
12	34477	1	SINGLE NOZZLE SPRING	4005337344
13	34478	1	SINGLE NOZZLE BALL	4005337344
14	34479	1	NOZZLE HOLDER (TW 300S)	4005337344
15	34480	1	SKIVE	4005337344
16	28090	1	CHEMICAL TUBE	4005337280
17	48375	2	HOSE CLIP	4005337483
18	34481	1	MOUNTING TW 300 S	4005337344
19	7379	1	VENTIL,VANNUTLEGG	consisting of 20 - 29 4005337073
20	34482	1	VALVE BODY	4005337344
21	7369	1	NIPPEL	4005337073
22	7399	1	LEVER	4005337073
23	7401	2	CYLINDRICAL PIN 1,5X14 VA	4005337074
24	3001633	1	O-RING 5,3X2,4 VITON	5701715038
25	7400	1	VALVE PIN	4005337074
26	7370	1	SPRING	4005337073
27	15498	1	SCREW 5,3X1,0 A 125 VA	4005337154
28	7368	1	O-RING 5.0X2.0 DIN 3770 NBR70	4005337073
29	7371	1	CAP NUT R3/8X19,2	4005337073
30	34484	1	SLANGE,SUG,KOMPL 3M Ø32	4005337344
31	34487	1	SLANGEMUFFE	4005337344
32	302000476	2	BØSNING	4005337682
33	61154	2	RING	4005337611
34	8819	3	STRIPS	4005337088
35	46679	1	SLANGEMUFFE	4005337466
36	7359	1	SPRAYSLANGE M.KOBLING	4005337073
37	7238	1	KOBLING	4005337072
38	7239	2	HOSE CLIP Ø14,5	4005337072
39	101406100	1	KEMISLANGE, 5 METER	Please indicate required length when ordering! 4005337163
40	7241	1	NIPPLE NW 8	4005337072

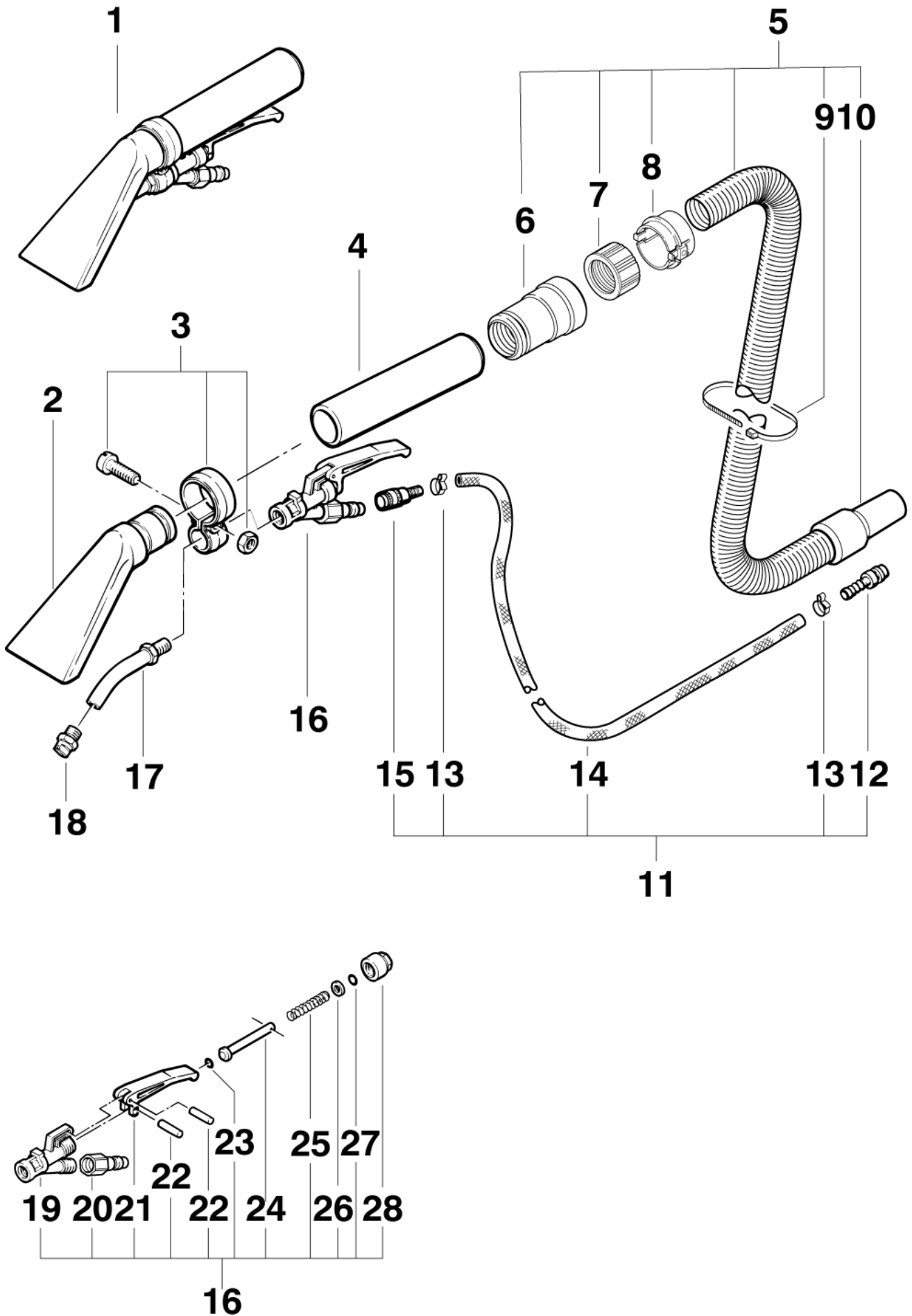
Hand adaptor

TW 300 S, TW 300 CAR, HOME CLEANER

23-03-2011

StyMiste ID
TW300S300CAR04

13



Hand adaptor

TW 300 S, TW 300 CAR, HOME CLEANER

23-03-2011

StyMiste ID
TW300S300CAR04

14

Pos	Vare nr.	Ant	Beskrivelse	EAN
1	6696	1	POLSTERMUNDSTYKKE 80MM.	4005337066
2	7377	1	SUCTION NOZZLE	4005337073
3	7246	1	ADAPTER PIPE CLAMP	4005337072
4	7375	1	RØR FOR POLSTERMUNDSTYKKE	4005337073
5	34484	1	SLANGE,SUG,KOMPL 3M Ø32	4005337344
6	34487	1	SLANGEMUFFE	4005337344
7	302000476	1	BØSNING	4005337682
8	61154	1	RING	4005337611
9	8819	3	STRIPS	4005337088
10	46679	1	SLANGEMUFFE	4005337466
11	7359	1	SPRAYSLANGE M.KOBLING	4005337073
12	7241	1	NIPPLE NW 8	4005337072
13	7239	2	HOSE CLIP Ø14,5	4005337072
14	101406100	1	KEMISLANGE, 5 METER	Please indicate required length when ordering! 4005337163
15	7238	1	KOBLING	4005337072
16	7366	1	LEVER	Consisting of 19 -28 4005337073
17	7256	1	NOZZLE TUBE	4005337072
18	7376	1	HP NOZZLE 1/8-27NPT H-VV 11004 Ms	4005337073
19	34483	1	VENTIL	4005337344
20	7369	1	NIPPEL	4005337073
21	7399	1	LEVER	4005337073
22	7401	2	CYLINDRICAL PIN 1,5X14 VA	4005337074
23	3001633	1	O-RING 5,3X2,4 VITON	5701715038
24	7400	1	VALVE PIN	4005337074
25	7370	1	SPRING	4005337073
26	15498	1	SCREW 5,3X1,0 A 125 VA	4005337154
27	7368	1	O-RING 5.0X2.0 DIN 3770 NBR70	4005337073
28	7371	1	CAP NUT R3/8X19,2	4005337073

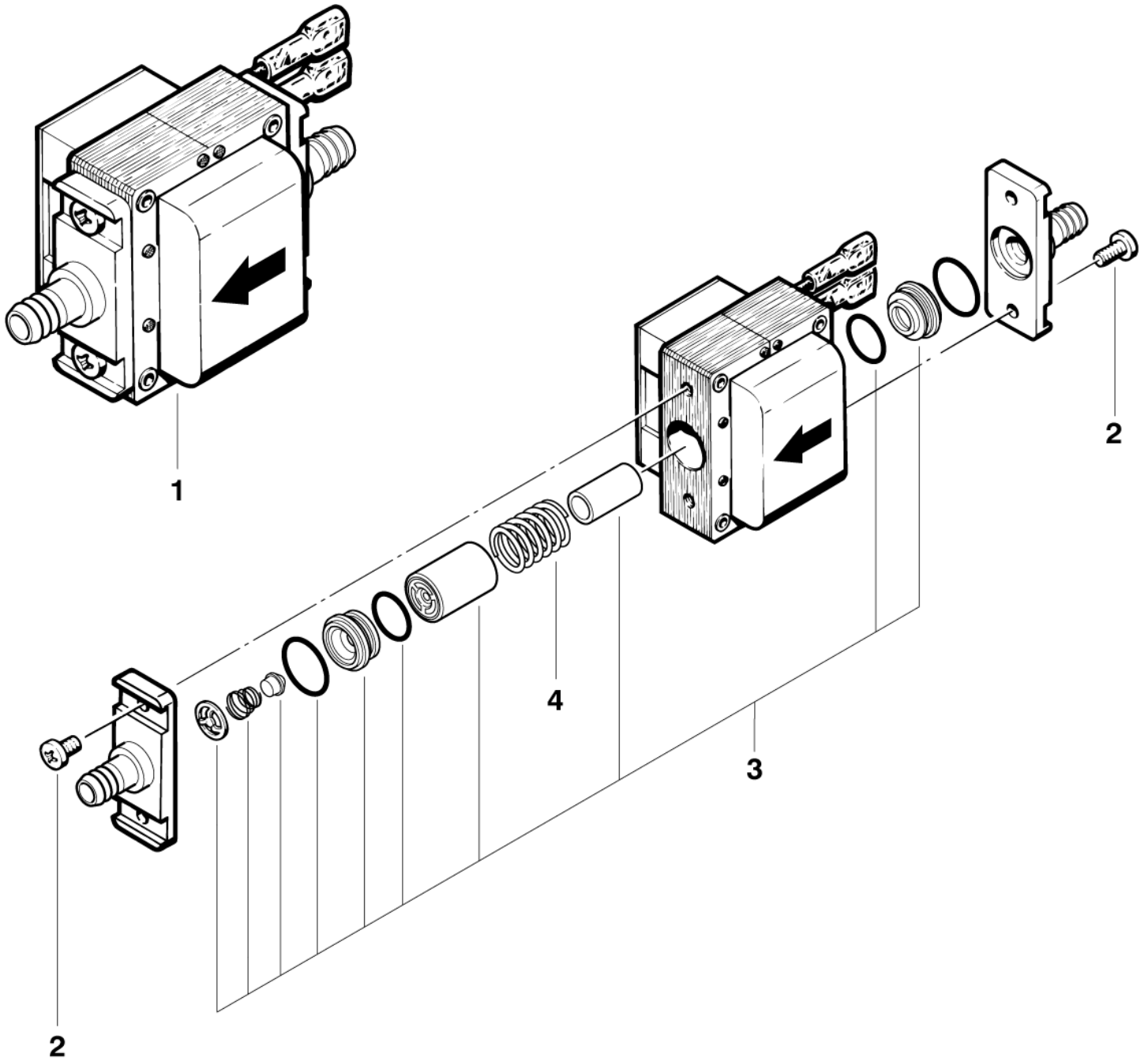
Spray pump

TW 300 S, TW 300 CAR, HOME CLEANER

23-03-2011

StyMiste ID
TW300S300CAR05

15



Spray pump

TW 300 S, TW 300 CAR, HOME CLEANER

23-03-2011

StyMiste ID
TW300S300CAR05

16

Pos	Vare nr.	Ant	Beskrivelse	EAN
1	7343	1	IMPULS PUMPE	4005337073
2	46269	4	LENS HEAD COUNTERS. SCREW	4005337462
3	34049	1	REPAIR KIT	4005337340
4	909100089	1	TRYKFJEDER	4005337679

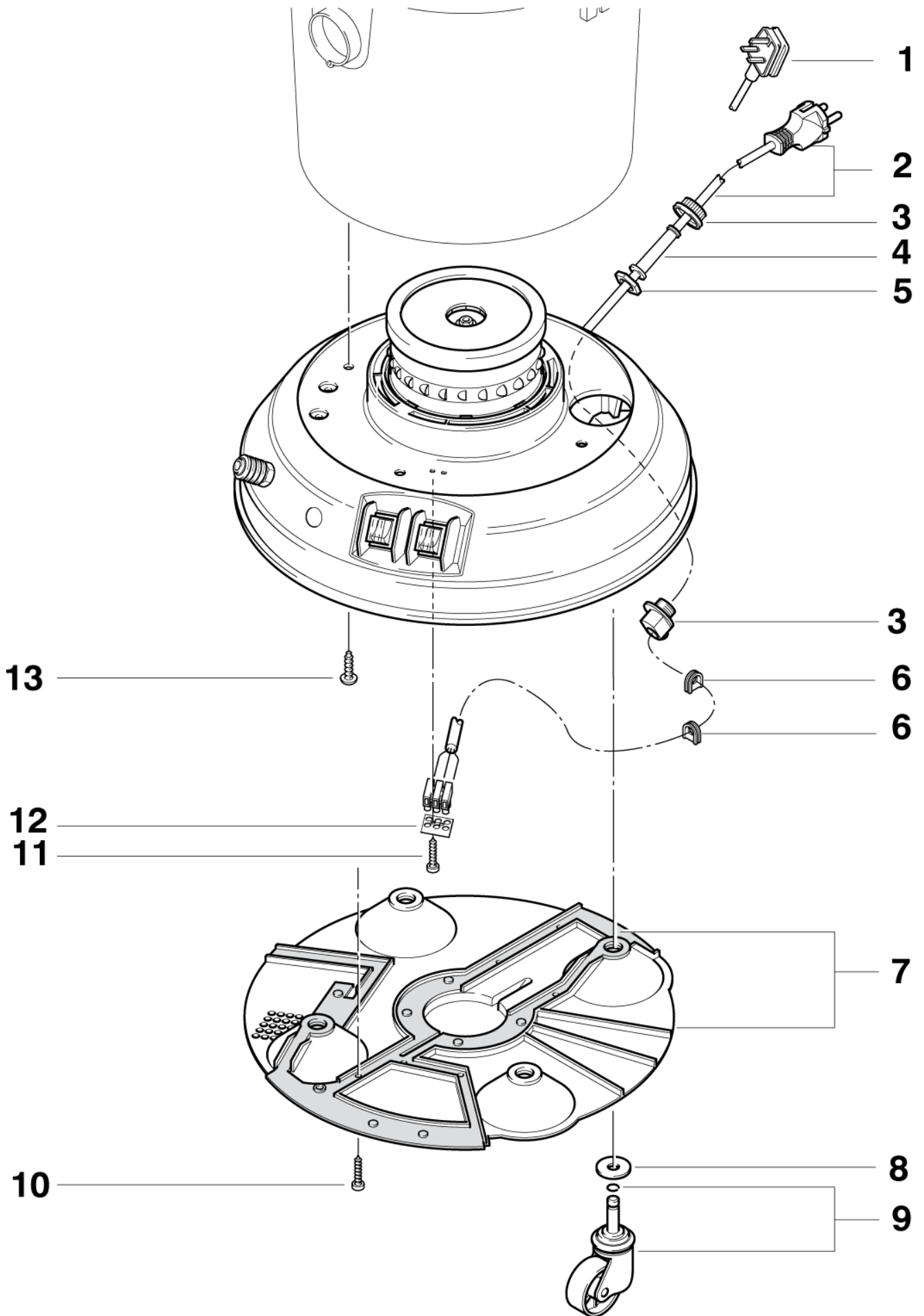
Bottom plate, wheels

TW 300 S, TW 300 CAR, HOME CLEANER

23-03-2011

StyMiste ID
TW300S300CAR06

17



Bottom plate, wheels

TW 300 S, TW 300 CAR, HOME CLEANER

23-03-2011

StyMiste ID
TW300S300CAR06

18

Pos	Vare nr.	Ant	Beskrivelse		EAN
1	302000566	1	POWER C.H07RN-F 2X1X8.05 GB	*GB*	4005337683
2	26771	1	LEDNING AERO 400-440-640	*EU*	4005337267
3	7309	1	CABLE FIXATION PG9		4005337073
4	7352	1	CABLE GROMMET		4005337073
5	1458	1	NUT 6KT PG 9 46320 MS		4005337673
7	31282	1	BOTTOM PLATE		4005337312
8	4827	4	WASHER 10,5X2,5		4005337048
9	7228	4	GUIDE ROLLER		4005337072
10	2791	7	SCREW BL- 2,9X16 B D		4005337027
11	5188	2	SHEET METAL SCREW 2,9X16		4005337051
12	7146	1	LABEL		4005337071
13	10028	4	SKRUE		4005337100