

ATTIX 7

Model:

ATTIX 751-01

ATTIX 751-11

ATTIX 751-21

ATTIX 751-61

ATTIX 751-71

ATTIX 761-21 XC

ATTIX 791-21 EC



Stykliste Dansk

12-08-2011

Nilfisk
ALTO
works for you

www.nilfisk-alto.com

Indholdsfortegnelse

ATTIX 7

Cabinet 751-01	3
Cabinet 751-11, -21, 19 GALLON	5
Cabinet 751-61, -71, 19 GALLON AE	7
Cabinet 761-21 XC	9
Cabinet 19 GALLON AS/PE	11
Cabinet 791-21	13
Base, motor, filter 751-01, -11, -21, 19 GALLON	15
Base, motor, filter 751-61, -71, 19 GALLON AE	17
Base, motor 761-21 XC, 19 GALLON AS/PE	19
Filter, cleaning system 761-21 XC, 19 GALLON AS/PE	21
Base, motor, filter 791-21	23
Buzzer, flow sensor 791-21	25
Container 751-01, - 11, -21, 19 GALLON	27
Container 751-61, -71, 19 GALLON AE	29
Container 761-21, 19 GALLON AS/PE	31
Container 791-21	33
Frame 751-01, -11, -21, -61, 19 GALLON, 19 GALLON	35
Frame 751-71	37
Frame 761-21, 19 GALLON AS/PE	39
Frame 791-21	41
Accessories 550, 751	43
Accessories 560, 761, 763	45
Accessories 590, 791	47
ANBEFALEDE RESERVEDELE	49

Cabinet 751-01

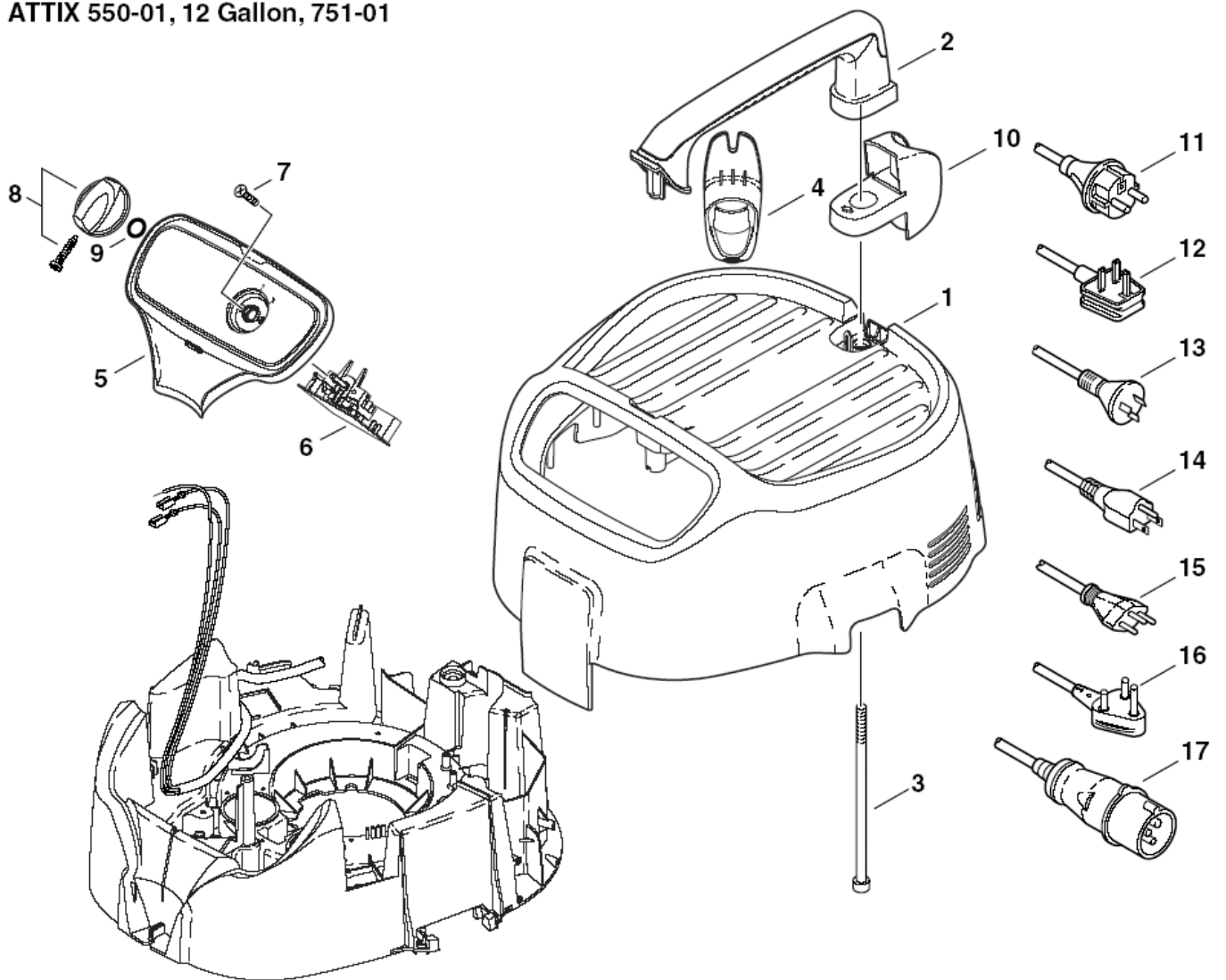
ATTIX 7

12-08-2011

StyMiste ID
ATTIX75002

3

ATTIX 550-01, 12 Gallon, 751-01



Cabinet 751-01

ATTIX 7

12-08-2011

StyMiste ID
ATTIX75002

4

Pos	Vare nr.	Ant	Beskrivelse		EAN
0	302000517	1	CARDBOARD BOX 570X487X710	not shown	4005337683
0	302002015	1	FOLDING BOX ATTIX 7 2.40 BC	not shown	4005337085
1	107402652	1	KABINET (TOP)		7319519682
2	107402650	1	HANDLE KIT		7319519682
3	909100084	2	SKRUE M6		4005337679
4	302000380	1	KABELHOLDER		4005337674
5	302000756	1	SWITCH BOX	550-1, 12 GALLON, 751-01	4005337020
6	302000825	1	ELECTRONIC SOFT START 100-	100-120V	4005337026
6	302000826	1	ELEKTRONIK	220-240V	4005337026
7	18274	2	SKRUE M4X12		4005337182
8	909100204	1	DREJEKNAP		4005337689
9	9868	1	O-RING 10.0X2.5		4005337098
10		1	RØRHOLDER	550-01, 12 GALLON	4005337674
11	302000430	1	POWER CORD H05RR-F 3G0.75X8.0	*EU*	4005337680
11	302000433	1	POWER CABLE DK	*DK*	4005337680
12	302000752	1	CORD SET H05RR-F 3G1.5X10.7-GB	*GB,230V*	4005337021
13	302000434	1	POWER CORD H05RR-F 3G0,7	*AU*	4005337681
14	302000435	1	POWER CORD SJTW-A AWG18/3X8.2M NEMA -US	JS*	4005337681
15	302000432	1	POWER CORD H05RR-F 3G0.75X8.2M SNV -CH	*CH*	4005337680
16	302000685	1	POWER CORD H05RR-F3G0,75	*ZA*	4005337690
17	107400574	1	CORD H05BQ-F 3G1.0 CEE GB 110	*GB*	7319519672

Cabinet 751-11, -21, 19 GALLON

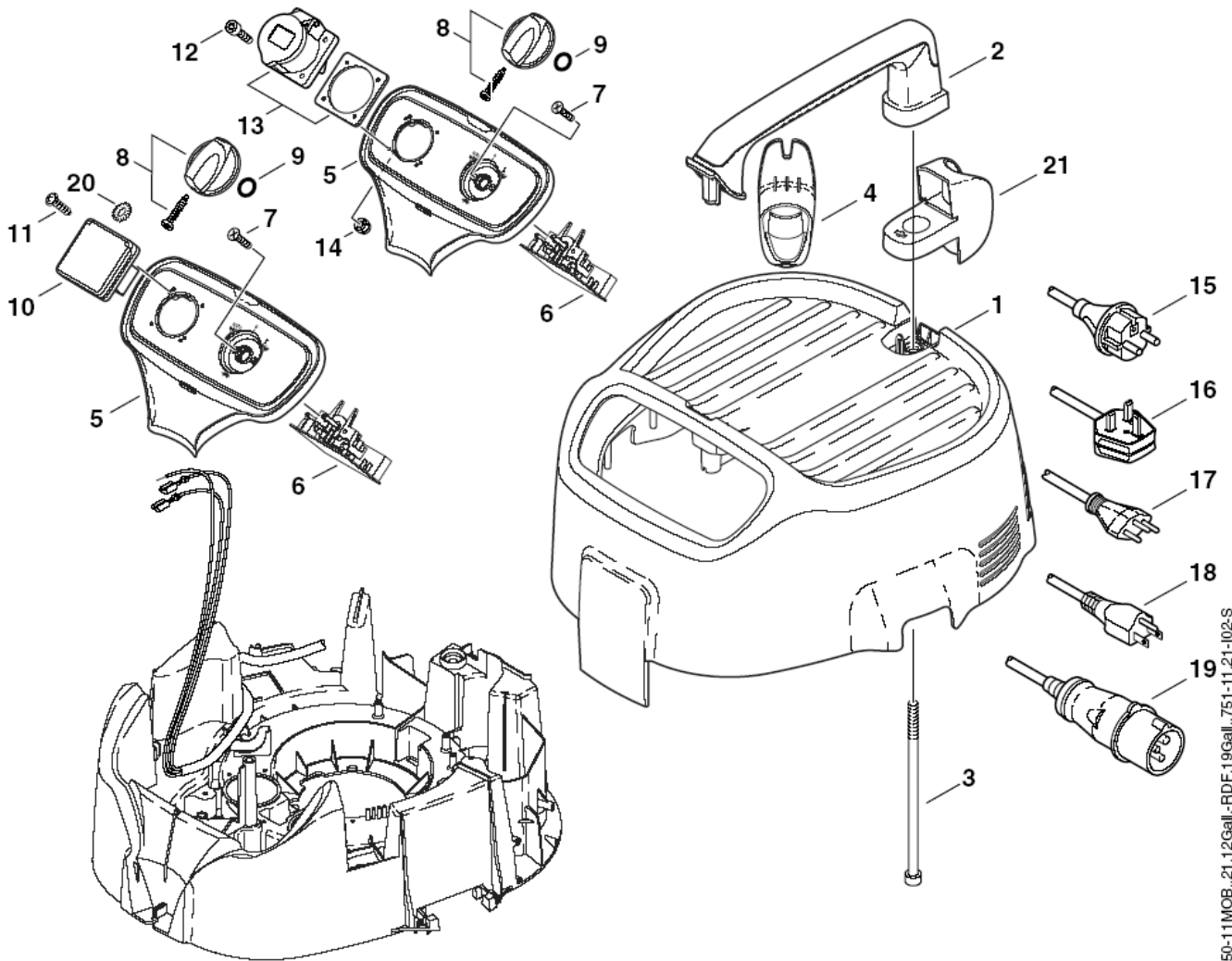
ATTIX 7

12-08-2011

StyMiste ID
ATTIX75004

5

ATTIX 550-11 MOBIL, 550-21, 12 Gallon RDF, 751-11, 751-21, 19 Gallon



550-11 MOB., 21, 12 Gall.-RDF, 19 Gall., 751-11, 21-102-S

Cabinet 751-11, -21, 19 GALLON

ATTIX 7

12-08-2011

StyMiste ID
ATTIX75004

6

Pos	Vare nr.	Ant	Beskrivelse	EAN
1	107402652	1	KABINET (TOP)	7319519682
2	107402650	1	HANDLE KIT	7319519682
3	909100084	2	SKRUE M6	4005337679
4	302000380	1	KABELHOLDER	4005337674
5	302000757	1	SWITCH BOX	550-21, 751-21, 12GALL.RDF 4005337020
5	302001287	1	SWITCH BOX ATTIX 5-7	550-11 MOBIL,751-11, 19GALL. 4005337043
6	302000627	1	ELECTRONIC 110-120V SET1	100-120V, 12GALL.RDF 4005337687
6	302000628	1	ELEKTRONIK M. DREJEGREB	220-240V, 550-21, 751-21 4005337687
6	302000825	1	ELECTRONIC SOFT START 100-	100-120V, 751-11*GB,110/50*, 19GALL. 4005337026
6	302000826	1	ELEKTRONIK	220-240V 4005337026
7	18274	2	SKRUE M4X12	4005337182
8	909100204	1	DREJEKNAP	4005337689
9	9868	1	O-RING 10.0X2.5	4005337098
10	302000683	1	STIKDÅSE	*DK* 4005337690
10	302004034	1	STIKDÅSE 16A/250V EU	*EU* 4005337147
10	302004336	1	SOCKET 13A/250V GB	*GB,230V* 7319519675
10	302004337	1	SOCKET 10A/250V CH	*CH* 7319519675
10	302004338	1	SOCKET 15A/125V US/CSA	*US* 7319519675
11	11256	2	SKRUE KA3,5X18	4005337112
12	50598	4	SCREW M5X20	*GB,110V* 4005337505
13	43238	1	SOCKET 2-POL.16A-4H/110-1 30V	*GB,110V* 4005337432
14	7417	4	MØTRIK M5	*GB,110V* 4005337074
15	302000437	1	KABEL	*EU* 4005337681
15	302000440	1	ELKABEL	*DK* 4005337681
16	302000752	1	CORD SET H05RR-F 3G1.5X10.7-GB	*GB,230V* 4005337021
17	302000439	1	P.CORD H05RR-F 3G1.0X8.2M-CH	*CH* 4005337681
18	302004332	1	POWER CORD US	*US* 7319519675
19	107400271	1	CORD H07BQ-F 3G2.5 GB	*GB,110V* 4005337153
20	4021	2	SPÆNDESKIVE	*US* 4005337040
21		1	RØRHOLDER	550-11 MOBIL 4005337674

Cabinet 751-61, -71, 19 GALLON AE

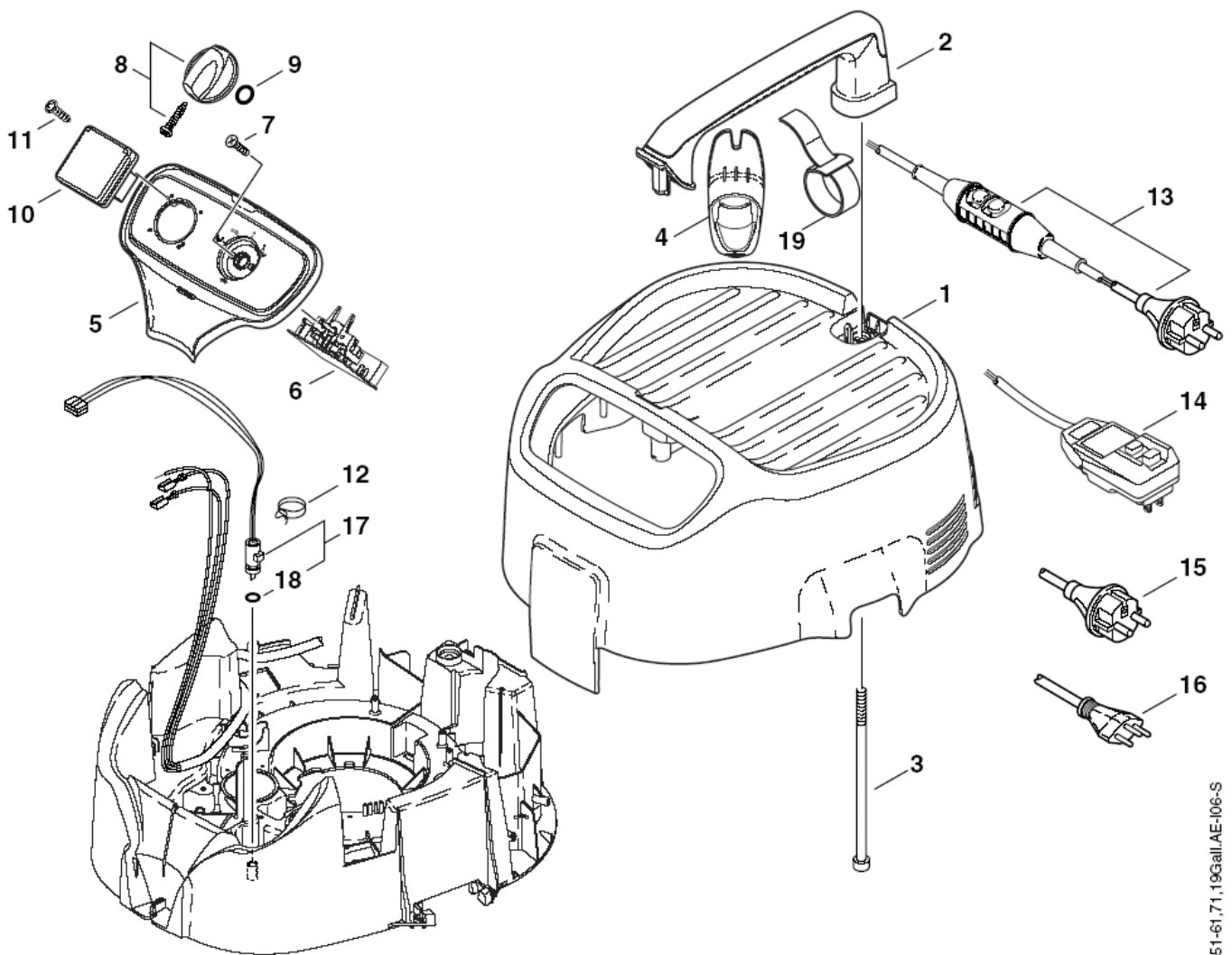
ATTIX 7

12-08-2011

StyMiste ID
ATTIX75006

7

ATTIX 751-61, 751-71, 19 Gallon AE



751-61,71,19Gall,AE-106-S

Cabinet 751-61, -71, 19 GALLON AE

ATTIX 7

12-08-2011

StyMiste ID
ATTIX75006

8

Pos	Vare nr.	Ant	Beskrivelse	EAN
1	107402652	1	KABINET (TOP)	7319519682
2	107402650	1	HANDLE KIT	7319519682
3	909100084	2	SKRUE M6	4005337679
4	302000380	1	KABELHOLDER	751-61, 19 Gallon AE 4005337674
5	302001589	1	SWITCH BOX ATTIX 7-61	4005337067
6	302001711	1	ELECTRONIC 100-120V SET1	100-120V 4005337072
6	302001712	1	CIRCUIT BOARD EC 220/240V	220-240V 4005337072
7	18274	2	SKRUE M4X12	4005337182
8	909100204	1	DREJEKNAP	4005337689
9	9868	1	O-RING 10.0X2.5	4005337098
10	302004034	1	STIKDÅSE 16A/250V EU	4005337147
11	11256	2	SKRUE KA3,5X18	4005337112
12	107400578	1	HOSE CLAMP D10	7319519672
13	302001580	1	POWER CORD H07RN-F 3G1.5X10.7	751-71 4005337067
14	302001708	1	POWER CORD SJTW-A AWG	19GALLON AE 4005337072
15	302000437	1	KABEL	751-61*EU* 4005337681
15	302000440	1	ELKABEL	751-61*DK* 4005337681
16	302000439	1	P.CORD H05RR-F 3G1.0X8.2M -CH	751-61*CH* 4005337681
17	107402655	1	TEMPERATURE SENSOR KIT	7319519682
18	55416	1	O-RING 4,0X1,5 F. CENTIX	4005337554
19	302001611	1	CLAMPING TAPE ATTIX 7	751-71 4005337068

Cabinet 761-21 XC

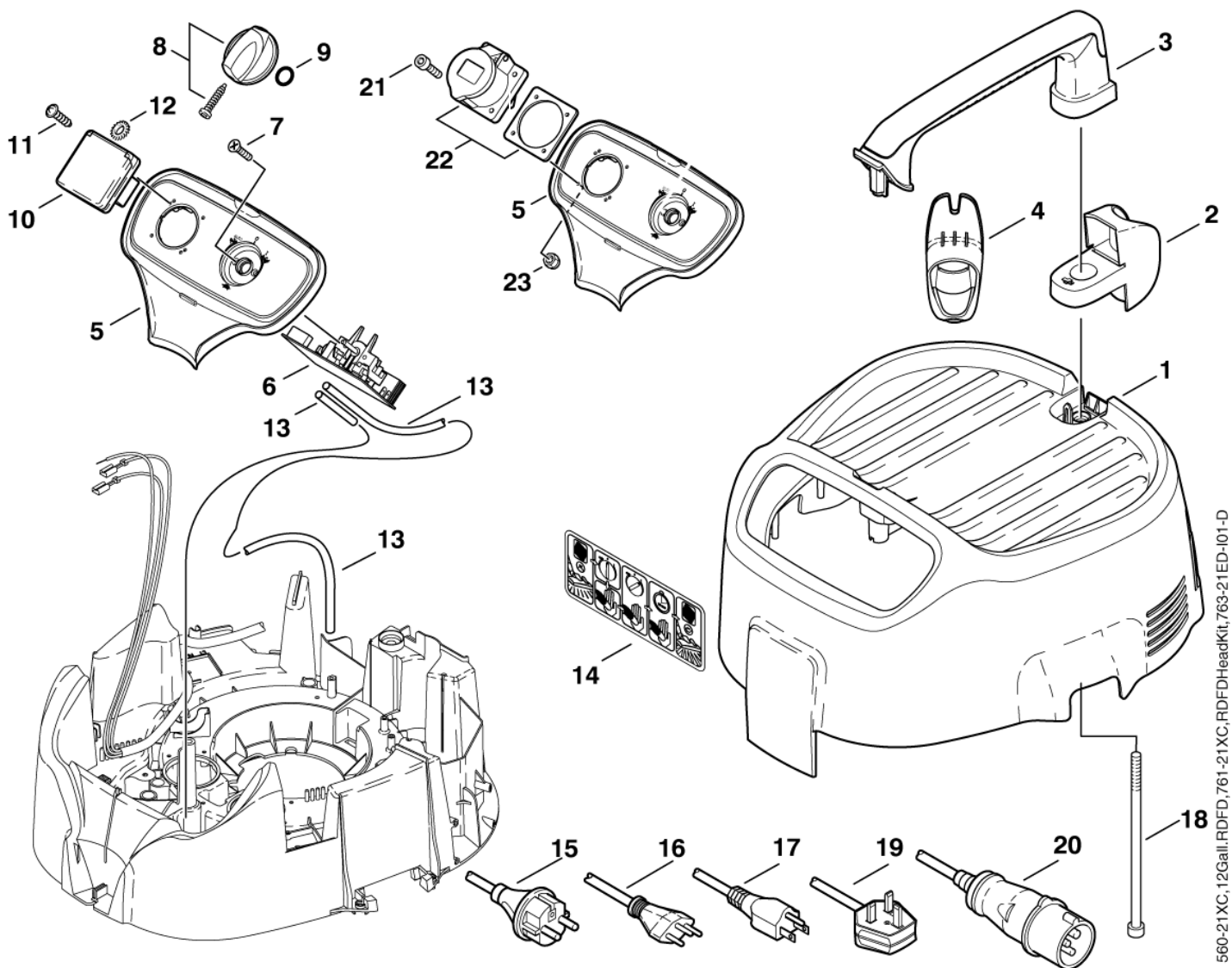
ATTIX 7

12-08-2011

StyMiste ID
ATTIX76002

9

ATTIX 560-21 XC, 12 Gallon RDFD, RDFD Head Kit, 761-21 XC, 763-21 ED



560-21XC, 12Gall. RDFD, 761-21XC, RDFD HeadKit, 763-21ED-I01-D

Cabinet 761-21 XC

ATTIX 7

12-08-2011

StyMiste ID
ATTIX76002

10

Pos	Vare nr.	Ant	Beskrivelse	EAN
1	107402652	1	KABINET (TOP)	7319519682
2		1	RØRHOLDER 560-21XC, 12GALLRDFD	4005337674
3	107402650	1	HANDLE KIT	7319519682
4	302000380	1	KABELHOLDER	4005337674
5	302000757	1	SWITCH BOX	4005337020
6	302000852	1	ELECTRONIC 120V SET1 100-120V	4005337028
6	302000853	1	PRINT 230V SÆT 220-240V	4005337028
7	18274	2	SKRUE M4X12	4005337182
8	909100204	1	DREJEKNAP	4005337689
9	9868	1	O-RING 10.0X2.5	4005337098
10	302000683	1	STIKDÅSE *DK*	4005337690
10	302004034	1	STIKDÅSE 16A/250V EU *EU*	4005337147
10	302004336	1	SOCKET 13A/250V GB *GB,230V*	7319519675
10	302004337	1	SOCKET 10A/250V CH *CH*	7319519675
10	302004338	1	SOCKET 15A/125V US/CSA *US*	7319519675
11	11256	2	SKRUE KA3,5X18	4005337112
12	4021	2	SPÆNDESKIVE *US*	4005337040
13	11379	1	HOSE Ø3X1,5 * SEE NOTE	4005337113
14	302000824	1	LABEL	4005337025
15	302000437	1	KABEL *EU*	4005337681
15	302000440	1	ELKABEL *DK*	4005337681
16	302000439	1	P.CORD H05RR-F 3G1.0X8.2M -CH *CH*	4005337681
17	302004332	1	POWER CORD US *US*	7319519675
18	909100084	2	SKRUE M6	4005337679
19	302000752	1	CORD SET H05RR-F 3G1.5X10.7-GB *GB,230V*	4005337021
20	107400271	1	CORD H07BQ-F 3G2.5 GB *GB,110V*	4005337153
21	50598	4	SCREW M5X20 *GB,110V*	4005337505
22	43238	1	SOCKET 2-POL.16A-4H/110-1 30V *GB,110V*	4005337432
23	7417	4	MØTRIK M5 *GB,110V*	4005337074

* NOTE: PLEASE INDICATE LENGTHS IN METRES WHEN ORDERING

Cabinet 19 GALLON AS/PE

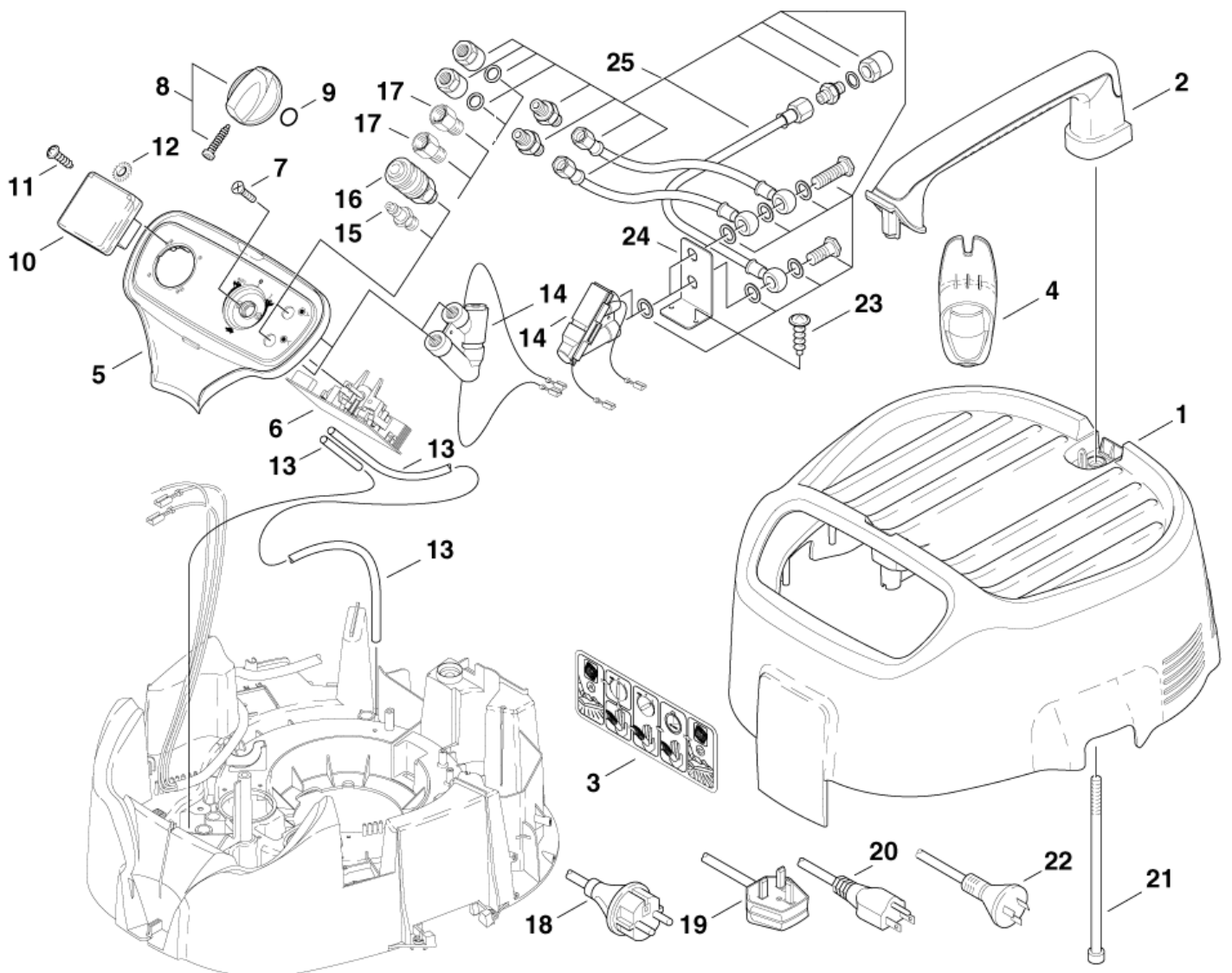
ATTIX 7

12-08-2011

StyMiste ID
ATTIX76004

11

ATTIX 560-31 XC, 12 Gallon AS/PE, 19 Gallon AS/PE 2



Cabinet 19 GALLON AS/PE

ATTIX 7

12-08-2011

StyMiste ID
ATTIX76004

12

Pos	Vare nr.	Ant	Beskrivelse	EAN
2	107402650	1	HANDLE KIT	7319519682
3	302000824	1	LABEL	4005337025
4	302000380	1	KABELHOLDER	4005337674
5		1	SWITCH BOX -31 ATTIX 5	560-31XC, 12GALLON AS/PE 4005337020
5	302001590	1	SWITCH BOX	19GALLON AS/PE2 4005337067
6	302000852	1	ELECTRONIC 120V SET1	100-120V 4005337028
6	302000853	1	PRINT 230V SÆT	220-240V 4005337028
7	18274	2	SKRUE M4X12	4005337182
8	909100204	1	DREJEKNAP	4005337689
9	9868	1	O-RING 10.0X2.5	4005337098
10	302001185	1	SOCKET	*AU* 4005337041
10	302004034	1	STIKDÅSE 16A/250V EU	*EU* 4005337147
10	302004336	1	SOCKET 13A/250V GB	*GB,230V* 7319519675
10	302004338	1	SOCKET 15A/125V US/CSA	*US* 7319519675
11	11256	2	SKRUE KA3,5X18	4005337112
12	4021	2	SPÆNDESKIVE	*US* 4005337040
13	11379	1	HOSE Ø3X1,5	4005337113
14	60392	1	FLOW SENSOR	4005337603
15		1	OVERGANG	560-31XC 4005337148
16		1	NIPPEL	560-31XC 4005337148
17		2	NIPPLE G1/4-R1/4	12GALLON AS/PE 4005337254
18	302000437	1	KABEL	*EU* 4005337681
19	302000752	1	CORD SET H05RR-F 3G1.5X10.7-GB	*GB,230V* 4005337021
20	302004332	1	POWER CORD US	*US* 7319519675
21	909100084	2	SKRUE M6	4005337679
22	302004333	1	POWER CORD AU	*AU* 7319519675
23	24738	2	SKRUE KA3,5X8	19GALLON AS/PE2 4005337247
24	302001681	1	ANGLE 1.5 100X70X40X32.5 ST	19GALLON AS/PE2 4005337070
25	302001678	1	LUFT MANIFOLD	19GALLON AS/PE2 4005337070

Cabinet 791-21

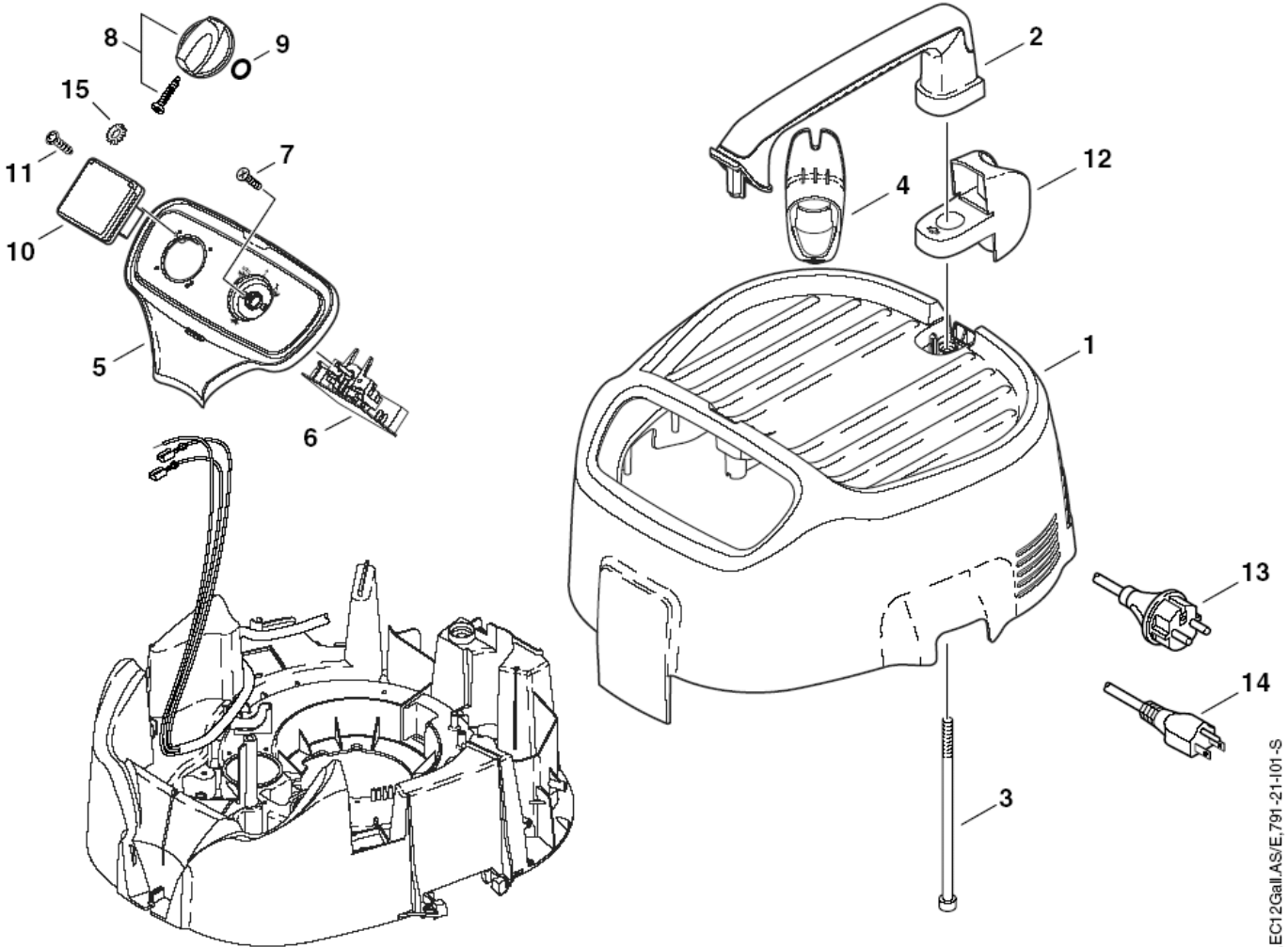
ATTIX 7

12-08-2011

StyMiste ID
ATTIX79002

13

ATTIX 590-21, EC 12 Gallon AS/E, 791-21



590-21, EC12Gall, AS/E, 791-21-101-S

Cabinet 791-21

ATTIX 7

12-08-2011

StyMiste ID
ATTIX79002

14

Pos	Vare nr.	Ant	Beskrivelse	EAN	
1	107402652	1	KABINET (TOP)	7319519682	
2	107402650	1	HANDLE KIT	7319519682	
3	909100084	2	SKRUE M6	4005337679	
4	302000380	1	KABELHOLDER	4005337674	
5	302000757	1	SWITCH BOX	4005337020	
6		1	ELECTRONIC EA.W.SPEED EC	EC 12GALLON AS/E	4005337055
6	302001425	1	ELECTRONIC EA.W.SPEED EC	590-21, 791-21	4005337054
7	18274	2	SKRUE M4X12		4005337182
8	909100204	1	DREJEKNAP		4005337689
9	9868	1	O-RING 10.0X2.5		4005337098
10	302004034	1	STIKDÅSE 16A/250V EU	*EU* -590-21, 791-21	4005337147
10		1	SOCKET 15A/125V US/CSA	*US*-EC 12GALLON AS/E	7319519675
11	11256	2	SKRUE KA3,5X18		4005337112
12		1	RØRHOLDER	590-21, EC 12GALLON AS/E	4005337674
13	302000437	1	KABEL	*EU* -590-21, 791-21	4005337681
14		1	POWER CORD US	*US* -EC 12GALLON AS/E	7319519675
15	4021	1	SPÆNDESKIVE		4005337040

Base, motor, filter 751-01, -11, -21, 19 GALLO

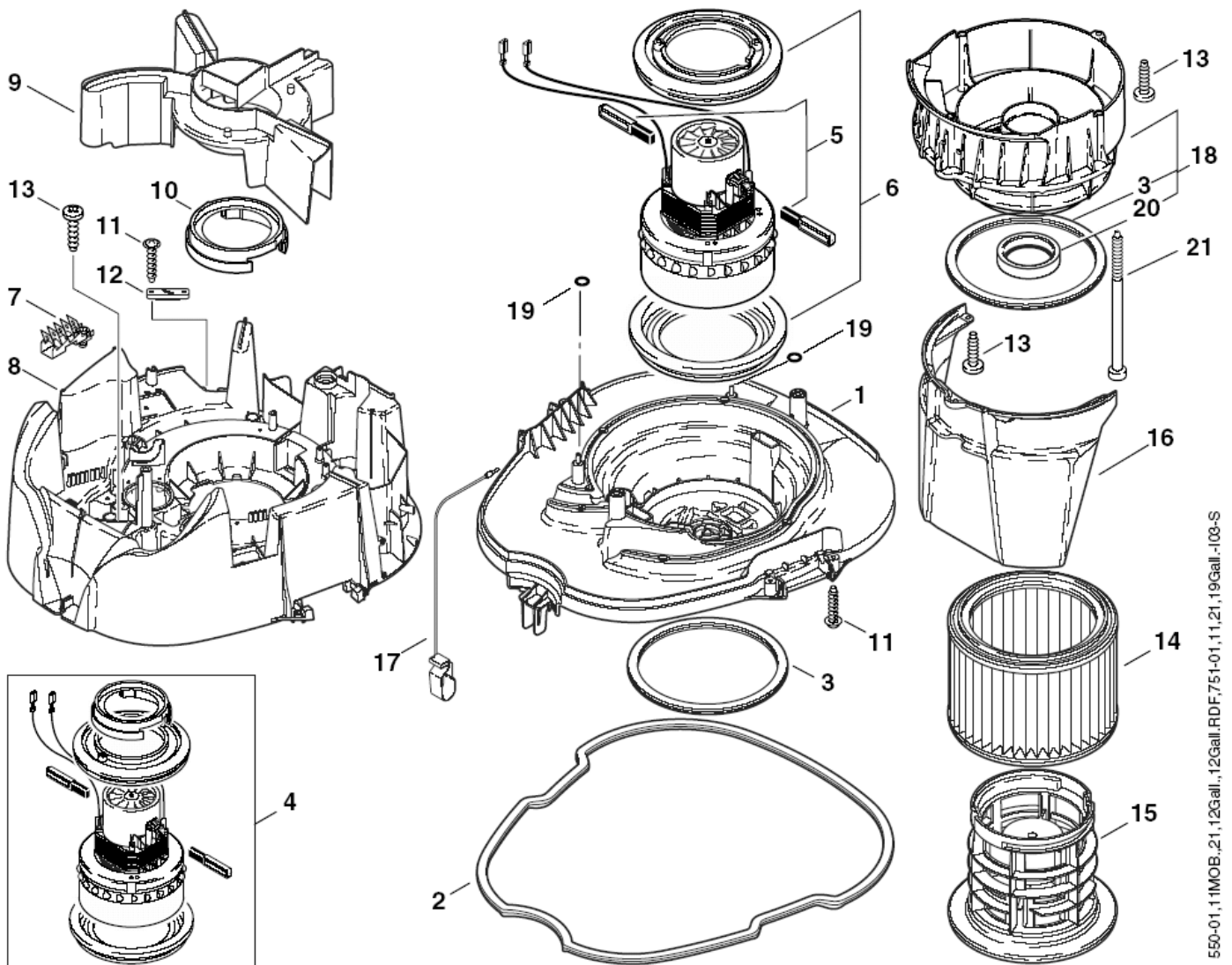
12-08-2011

StyMiste ID
ATTIX75008

15

ATTIX 7

ATTIX 550-01, 550-11 MOBIL, 550-21, 12 Gallon, 12 Gallon RDF, 751-01, 751-11, 751-21, 19 Gallon



550-01,11MOB.,21,12Gall.,12Gall.,RDF,751-01,11,21,19Gall.-103-S

Base, motor, filter 751-01, -11, -21, 19 GALLO

ATTIX 7

12-08-2011

StyMiste ID
ATTIX75008

16

Pos	Vare nr.	Ant	Beskrivelse	EAN
1	302000372	1	PLADE ATTIX 5	4005337674
2	302000637	1	TÆTNING F. BEHOLDER ATTIX	4005337687
3	302000460	1	TÆTNING F. FILTER ATTIX	4005337136
4	26783	1	MOTOR 100V 1200W	100V/1200W 4005337267
4	26784	1	MOTOR 120V 1200W	110-120V/1200W 4005337267
4	26785	1	MOTOR 120V 1000W	120V/1000W 4005337267
4	49594	1	MOTOR 220V SQ	220-240V/1200W 7319519675
5	26774	1	KULSÆT "M"	FOR IDENTIF.LETTER "M" 4005337267
5	26775	1	KULSÆT "L"	FOR IDENTIF.LETTER "L" 4005337267
5	49625	1	KULSÆT "C"	FOR IDENTIF. LETTER "C" 4005337496
6	28875	1	MOTORPAKNINGSSÆT "L"+"M"	FOR IDENTIF.LETTER "L"+"M" 4005337288
6	29205	1	MOTOR BEARING RING SET	FOR IDENTIF. LETTER "L"+"M" 4005337292
6	42538	1	MOTORPAKNINGSSÆT "C"	FOR IDENTIF. LETTER "C" 4005337425
6	61167	1	MOTORPAKNING	FOR IDENTIF. LETTER "C" 4005337611
7	302000755	1	FORDELERSTIK	4005337021
8	302000371	1	SPÆNDPLADE	4005337674
9	302000373	1	LUFTFORDELER ATTIX 5	4005337674
10		1	COLLAR 55 SHORE A EPDM	12GALL., 12GALL. RDF, 19GALL. 4005337470
10	47036	1	GUMMIPAKNING	4005337470
11	11256	6	SKRUE KA3,5X18	4005337112
12	5697	1	LASKE	4005337056
13	909100138	10	SKRUE	4005337023
14	11753	1	FILTER AERO/SQ 550/SQ 650	*ZA* 4005337117
14	302000490	1	FILTER ELEMENT ATTIX 3-5	4005337682
15	107402646	1	FILTER SUPPORT CAGE ATTIX PP	7319519682
16	302000379	1	BESKYTTELSESPLADE	4005337674
17	302000823	1	Contact spring 41,8x14 as br	*GB,230V* 4005337025
17	61174	1	JORDKABEL	4005337611
18	302001641	1	Adapter base plate/filter	751-01, 751-11, 751-21, 19GALL. 4005337069
19	62359	2	PAKNING	4005337623
20	302001546	1	PAKNING	751-01, 751-11, 751-21, 19GALL. 4005337068
21	909100196	3	SCREW 5X90	751-01, 751-11, 751-21, 19GALL. 4005337056

Base, motor, filter 751-61, -71, 19 GALLON AI

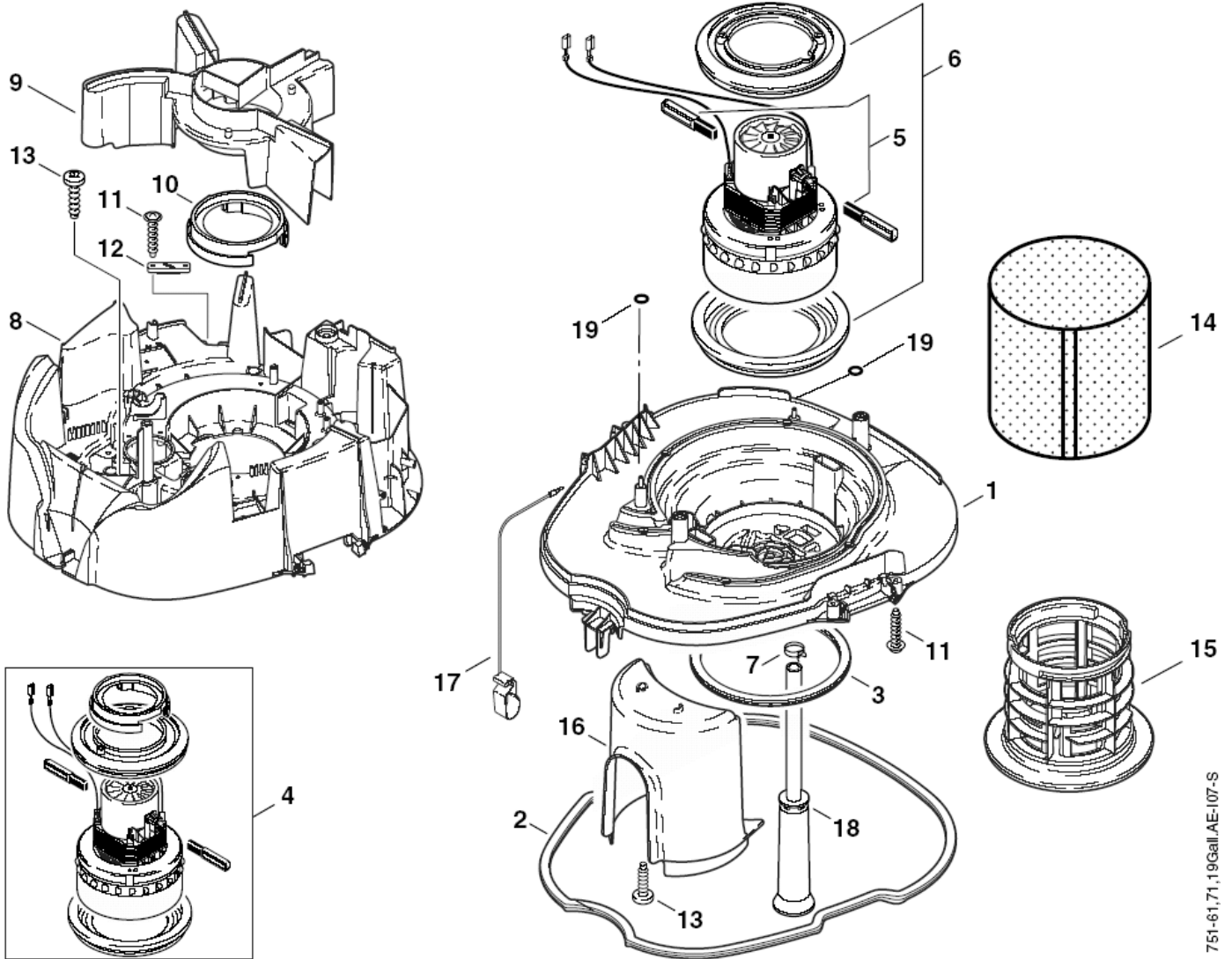
ATTIX 7

12-08-2011

StyMiste ID
ATTIX75010

17

ATTIX 751-61, 19 Gallon AE, 751-71



751-61, 71, 19Gall AE-107-S

Base, motor, filter 751-61, -71, 19 GALLON AI

ATTIX 7

12-08-2011

StyMiste ID
ATTIX75010

18

Pos	Vare nr.	Ant	Beskrivelse	EAN
1	302000372	1	PLADE ATTIX 5	4005337674
2	302000637	1	TÆTNING F. BEHOLDER ATTIX	4005337687
3	302000460	1	TÆTNING F. FILTER ATTIX	4005337136
4	26783	1	MOTOR 100V 1200W	100V/1200W 4005337267
4	26784	1	MOTOR 120V 1200W	110-120V/1200W 4005337267
4	26785	1	MOTOR 120V 1000W	120V/1000W 4005337267
4	49594	1	MOTOR 220V SQ	220-240V/1200W 7319519675
5	26774	1	KULSÆT "M"	FOR IDENTIF. LETTER "M" 4005337267
5	26775	1	KULSÆT "L"	FOR IDENTIF. LETTER "L" 4005337267
5	49625	1	KULSÆT "C"	FOR IDENTIF. LETTER "C" 4005337496
6	28875	1	MOTORPAKNINGSSÆT "L"+"M"	FOR IDENTIF. LETTER "L"+"M" 4005337288
6	29205	1	MOTOR BEARING RING SET	FOR IDENTIF. LETTER "L"+"M" 4005337292
6	42538	1	MOTORPAKNINGSSÆT "C"	FOR IDENTIF. LETTER "C" 4005337425
6	61167	1	MOTORPAKNING	FOR IDENTIF. LETTER "C" 4005337611
7	909100137	1	BAND CLAMP FITTING 19	4005337021
8	302000371	1	SPÆNDPLADE	4005337674
9	302000373	1	LUFTFORDELER ATTIX 5	4005337674
10	47035	1	COLLAR 55 SHORE A EPDM	19GALLAE 4005337470
10	47036	1	GUMMIPAKNING	4005337470
11	11256	6	SKRUE KA3,5X18	4005337112
12	5697	1	LASKE	4005337056
13	909100138	9	SKRUE	4005337023
14	15475	1	FILTER-SI SQ 4-5-6	4005337154
15	302000345	1	FILTER SUPPORT	4005337674
16	302001436	1	DEFLECTOR	4005337056
17	61174	1	JORDKABEL	4005337611
18	302001473	1	HOSE D40X396	4005337059
19	62359	2	PAKNING	4005337623

Base, motor 761-21 XC, 19 GALLON AS/PE

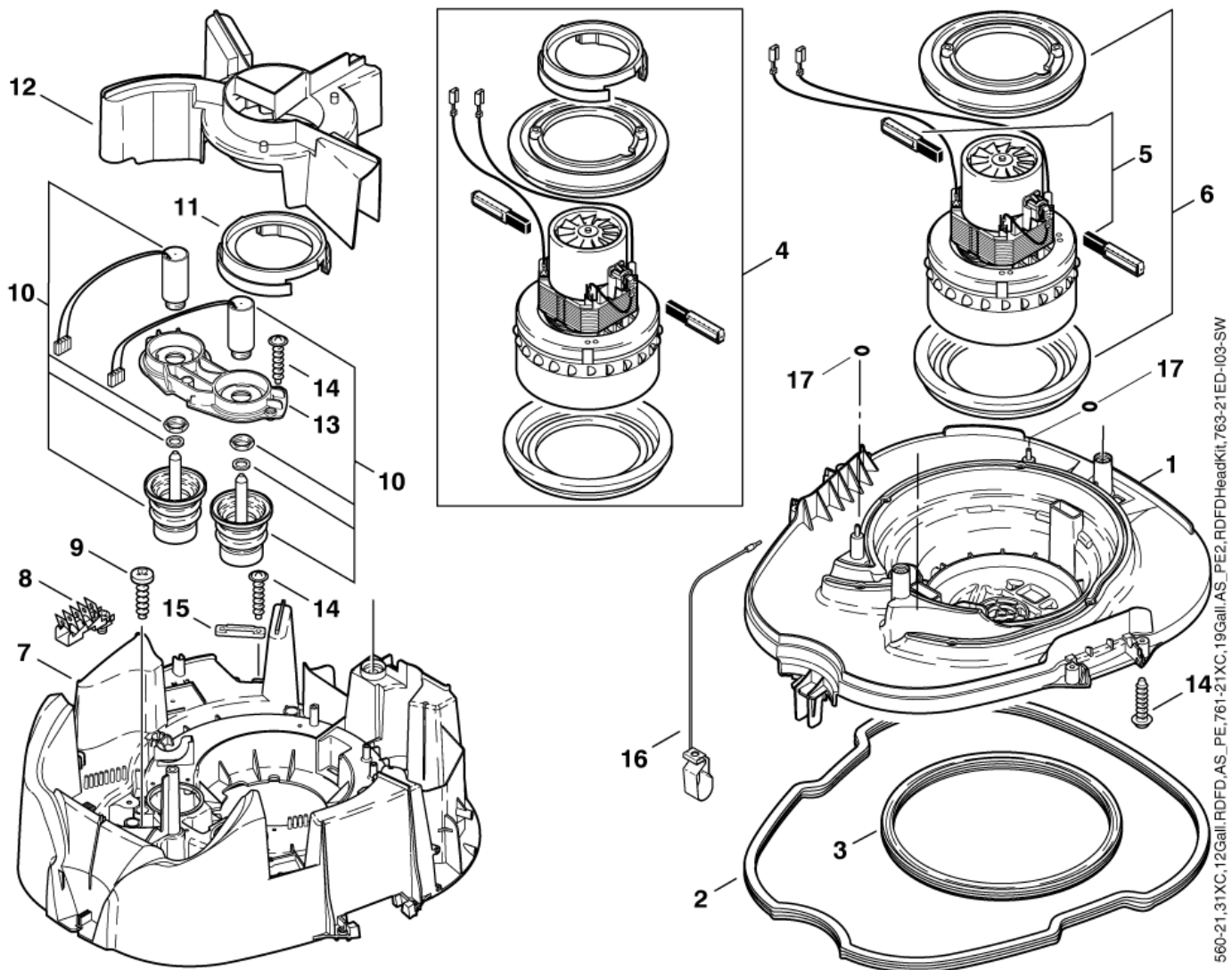
ATTIX 7

12-08-2011

StyMiste ID
ATTIX76006

19

ATTIX 560-21 XC, 560-31 XC, 12Gallon RDFD, 12Gallon AS/PE, RDFD Head Kit, 761-21 XC, 19Gallon AS/PE2, 763-21 ED



560-21,31XC,12Gall.RDFD,AS_PE,761-21XC,19Gall,AS_PE2,RDFD-HeadKit,763-21ED-103-SW

Base, motor 761-21 XC, 19 GALLON AS/PE

ATTIX 7

12-08-2011

StyMiste ID
ATTIX76006

20

Pos	Vare nr.	Ant	Beskrivelse	EAN
1	302000511	1	PLADE	4005337021
2	302000637	1	TÆTNING F. BEHOLDER ATTIX	4005337687
3	302000697	1	GASKET FILTER	4005337690
4	26784	1	MOTOR 120V 1200W	110-120V/1200W 4005337267
4	49594	1	MOTOR 220V SQ	220-240V/1200W 7319519675
4		1	E-MOTOR 230V/1400 W	763-21 ED 4005337620
5	26774	1	KULSÆT "M"	FOR IDENTIF.LETTER "M" 4005337267
5	26775	1	KULSÆT "L"	FOR IDENTIF.LETTER "L" 4005337267
5	49625	1	KULSÆT "C"	FOR IDENTIF.LETTER "C" 4005337496
6	28875	1	MOTORPAKNINGSSÆT "L"+"M"	FOR IDENTIF.LETTER "L"+"M" 4005337288
6	29205	1	MOTOR BEARING RING SET	FOR IDENTIF.LETTER "L"+"M" 4005337292
6	42538	1	MOTORPAKNINGSSÆT "C"	FOR IDENTIF. LETTER "C" 4005337425
6	61167	1	MOTORPAKNING	FOR IDENTIF. LETTER "C" 4005337611
7	107402639	1	MONTERINGSPLADE	7319519682
8	302000755	1	FORDELERSTIK	4005337021
9	909100138	6	SKRUE	4005337023
10	107402635	2	ELECTROMAGNET 24V KIT	FOR 220-240V 7319519682
10	302000217	2	ELECTROMAGNET 12V	FOR 100-120V 4005337673
11	47036	1	GUMMIPAKNING	4005337470
12	302000373	1	LUFTFORDELER ATTIX 5	4005337674
13	302000388	1	Frame 190x90x18 PP	4005337020
14	11256	11	SKRUE KA3,5X18	4005337112
15	5697	1	LASKE	4005337056
16	302000823	1	Contact spring 41,8x14 as br	*GB,230V* 4005337025
16	61174	1	JORDKABEL	4005337611
17	62359	2	PAKNING	4005337623

Filter, cleaning system 761-21 XC, 19 GALLON A

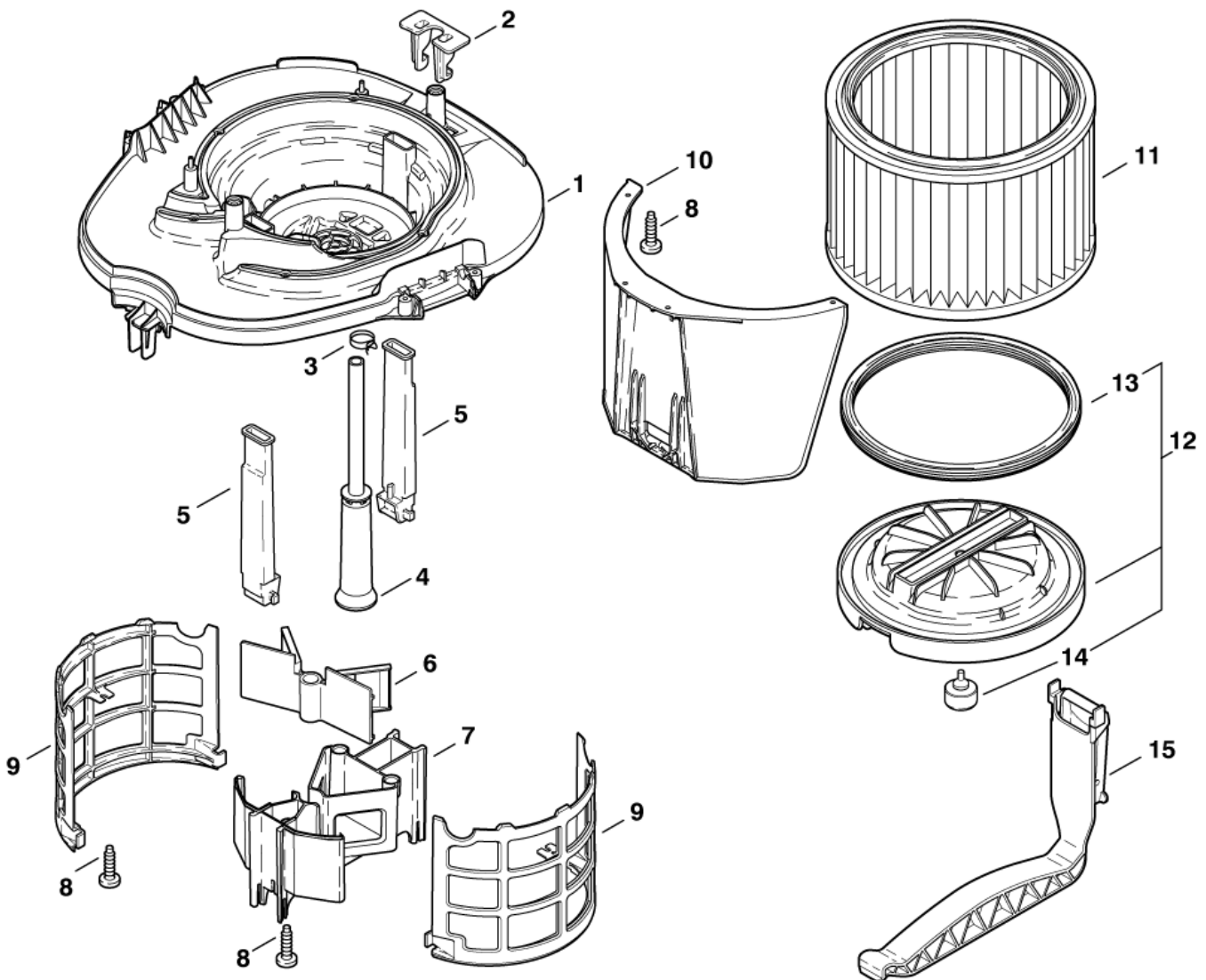
ATTIX 7

12-08-2011

StyMiste ID
ATTIX76008

21

ATTIX 560-21 XC, 560-31 XC, 12Gallon RFD, 12Gallon AS/PE, RFD Head Kit, 761-21 XC, 19Gallon AS/PE2, 763-21 ED



560-21,31XC,12Gall.RFD,AS_PE,761-21XC,19Gall.AS_PE2,RFDHeadKit,763-21ED-104-S

Filter, cleaning system 761-21 XC, 19 GALLON A

ATTIX 7

12-08-2011

StyMiste ID
ATTIX76008

22

Pos	Vare nr.	Ant	Beskrivelse	EAN
1	302000511	1	PLADE	4005337021
2	302000512	1	KROG F.FILTERHOLDER ATTIX	4005337020
3	909100137	1	BAND CLAMP FITTING 1/2	4005337021
4	302001473	1	HOSE D40X396	* SEE NOTE 4005337059
4	303000516	1	SLANGE	** SEE NOTE 4005337023
5	302000514	2	PAKNING	4005337023
6	302000387	1	FLAP	4005337020
7	302000386	1	LUFTKANAL	4005337021
8	909100138	9	SKRUE	4005337023
9	302000385	2	FILTERHUS	4005337020
10	107402640	1	DEFLECTOR 318X180X212 KIT	7319519682
11	302000751	1	FILTERELEMENT L+M SET	4005337020
12	107402653	1	BUNDPLADE F/FILTER	7319519682
13	302000697	1	GASKET FILTER	4005337690
14	302000515	1	PLUG	4005337023
15	107402651	1	TENSION JACK	7319519682

* NOTE: 761-21XC, 19Gall.AS/PE2, RDFD Head Kit, not 763-21 ED

**NOTE: 560-21XC, 560-31XC, 12Gall.RDFD, 12Gall.AS/PE, not 763-21 ED

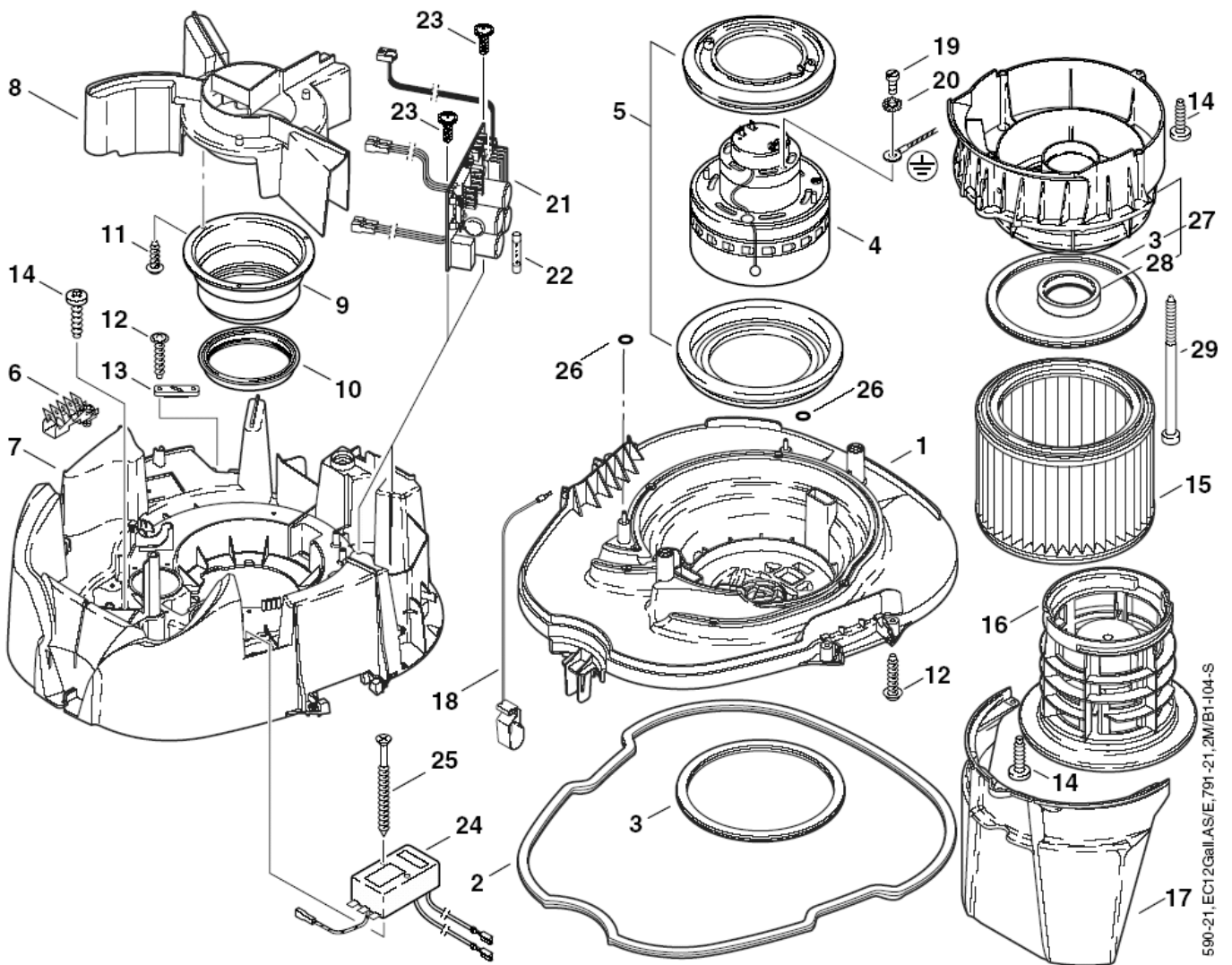
Base, motor, filter 791-21

ATTIX 7

12-08-2011

StyMiste ID
ATTIX79008

23



590-21, EC12Gall AS/E, 791-21, 2M/B1-104-S

Base, motor, filter 791-21

ATTIX 7

12-08-2011

StyMiste ID
ATTIX79008

24

Pos	Vare nr.	Ant	Beskrivelse	EAN	
1	302000372	1	PLADE ATTIX 5	4005337674	
2	302000637	1	TÆTNING F. BEHOLDER ATTIX	4005337687	
3	302000460	1	TÆTNING F. FILTER ATTIX	4005337136	
4	107402629	1	MOTOR TURBINE 1000W 100/120V	EC 12GALLON AS/E, 791-2M/B1*GB,110V*	7319519682
4	60561	1	SUGEMOTOR 220-240V 1200W	590-21, 791-21,, 791-2M/B1*EU*GB,230V*	4005337605
5	61167	1	MOTORPAKNING		4005337611
6	302000755	1	FORDELERSTIK		4005337021
7	302000371	1	SPÆNDPLADE	590-21, EC 12GALLON AS/E, 791-21	4005337674
7		1	STØTTEPLADE ATTIX 550	791-2M/B1	4005337043
8	302000373	1	LUFTFORDELER ATTIX 5		4005337674
9	60877	1	BRACKET		4005337608
10	47364	1	PACKING RING 108X86X18		4005337473
11	11254	3	SKRUE KA3,5X10		4005337112
12	11256	6	SKRUE KA3,5X18		4005337112
13	5697	1	LASKE		4005337056
14	909100138	9	SKRUE		4005337023
15	302000490	1	FILTER ELEMENT ATTIX 3-5		4005337682
16	107402646	1	FILTER SUPPORT CAGE ATTIX PP		7319519682
17	302000379	1	BESKYTTELSESPLADE		4005337674
18	61174	1	JORDKABEL		4005337611
19	6163	1	CYLINDER SCREW M4X12 ISO 1207 ZN		4005337061
20	4021	1	SPÆNDESKIVE		4005337040
21	302000833	1	ELECTRONICS EC-3 230V SET	590-21, 791-21, 791-2M/B1*EU*GB,230V*	4005337035
21		1	ELECTRONIC EC 110V SET-1	EC 12GALLON AS/E, 791-2M/B1*GB,110V*	4005337055
22	48333	1	SIKRING 10A	590-21, 791-21, 791-2M/B1*EU*GB,230V*	4005337483
22		1	FINE-WIRE FUSE	EC 12GALLON AS/E, 791-2M/B1*GB,110V*	4005337650
23	10028	2	SKRUE		4005337100
24	107402619	1	SCREENING FILTER KIT	590-21, 791-21, 791-2M/B1*EU*GB,230V*	7319519682
24		1	SCREENING FILTER	EC 12GALLON AS/E, 791-2M/B1*GB,110V*	4005337649
25	11255	2	SCREW 3.5X30		4005337112
26	62359	2	PAKNING		4005337623
27	302001641	1	Adapter base plate/filter	791-21, 791-2M/B1	4005337069
28	302001546	1	PAKNING	791-21, 791-2M/B1	4005337068
29	909100196	3	SCREW 5X90	791-21, 791-2M/B1	4005337056

Buzzer, flow sensor 791-21

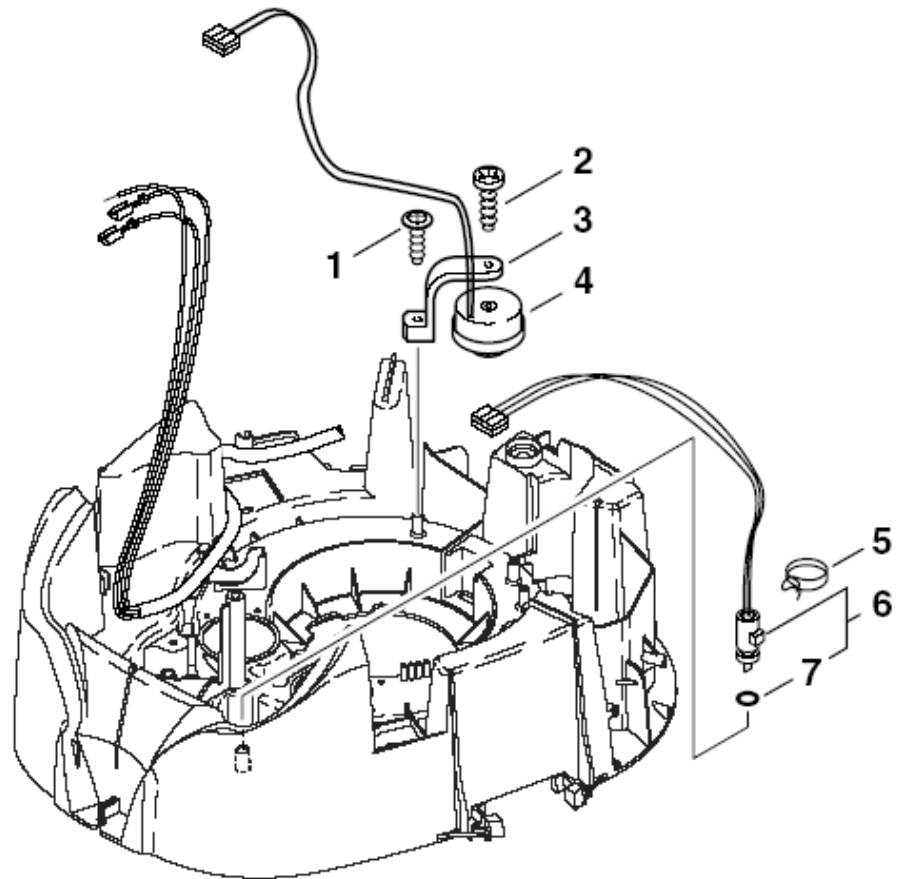
ATTIX 7

12-08-2011

StyMiste ID
ATTIX79006

25

ATTIX 791-2M/B1



Buzzer, flow sensor 791-21

ATTIX 7

12-08-2011

StyMiste ID
ATTIX79006

26

Pos	Vare nr.	Ant	Beskrivelse	EAN
1	11254	1	SKRUE KA3,5X10	4005337112
2	14418	1	SKRUE	4005337144
3	25871	1	HOLDER	4005337258
4	107400579	1	PIEZO BUZZER	7319519672
5	107400578	1	HOSE CLAMP D10	7319519672
6	302000428	1	ELECTRONIC FLOWSENS 9X6MM	4005337680
7	55416	1	O-RING 4,0X1,5 F. CENTIX	4005337554

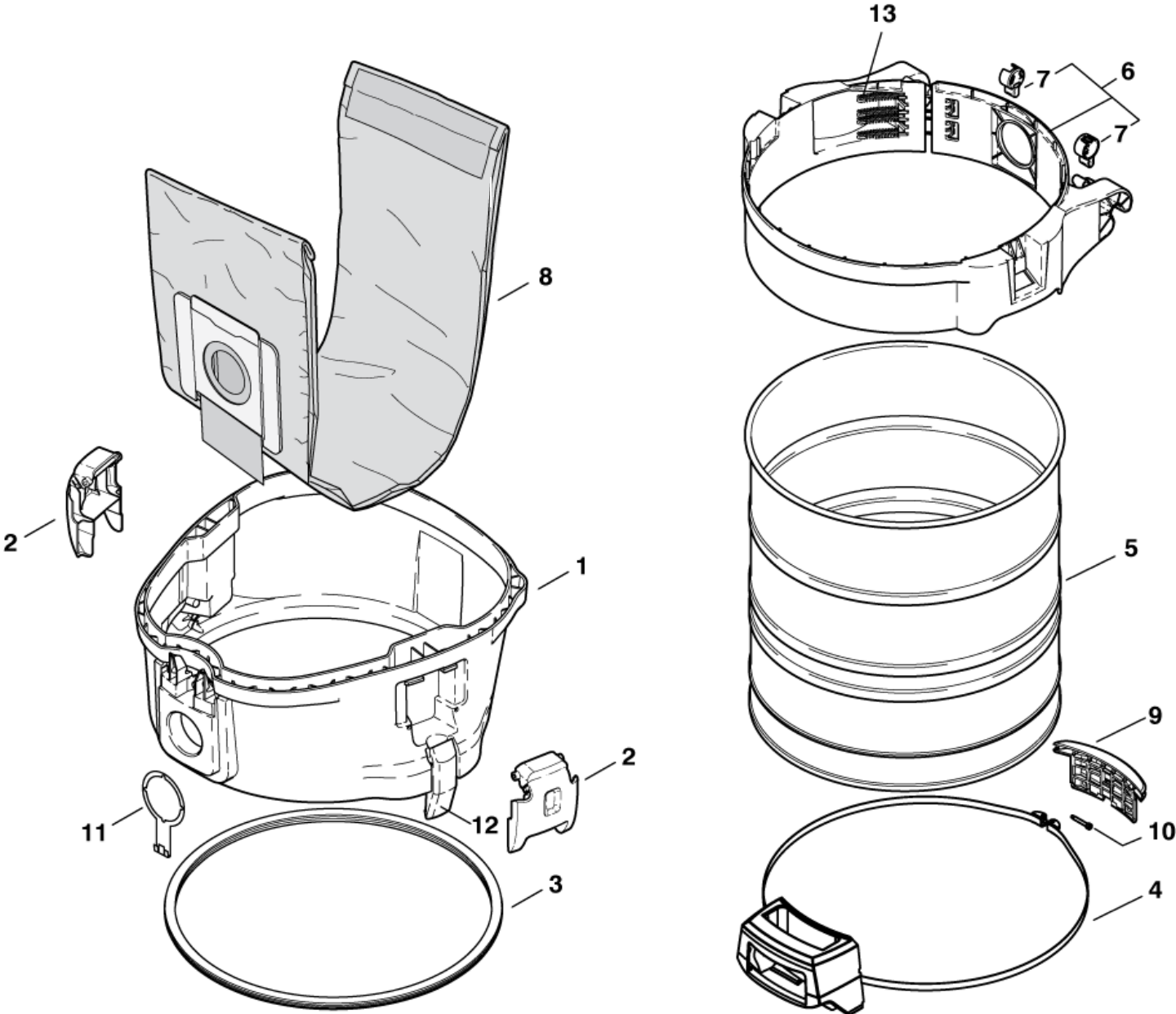
Container 751-01, - 11, -21, 19 GALLON

ATTIX 7

12-08-2011

StyMiste ID
ATTIX75016

27



Container 751-01, - 11, -21, 19 GALLON

ATTIX 7

12-08-2011

StyMiste ID
ATTIX75016

28

Pos	Vare nr.	Ant	Beskrivelse	EAN
1	107400257	1	MELLEMRING	4005337152
2	302000349	2	LUKKECLAMP	4005337674
3	302001432	1	PAKNING CONTAINER	4005337067
4	302001605	1	HÅNDTAG	4005337068
5	107402657	1	CONTAINER R408X430SS	7319519682
6	302001704	1	BELT CONTAINER 1480 SET	4005337072
7	302001441	2	INTERLOCK ATTIX 7	4005337059
8	302001484	1	FILTERPOSE ATTIX 7, 5 STK	4005337061
9	302001363	1	HOLDER 155X55X35	4005337045
10	302001613	1	SKRUE M5X35X5	4005337068
11	107400145	1	Ground connector ATTIX 7	4005337151
12	19880	1	SNAPLÅS SQ 550-11	4005337198
13	909100383	1	SPRING 1.40X7.5X113	4005337077

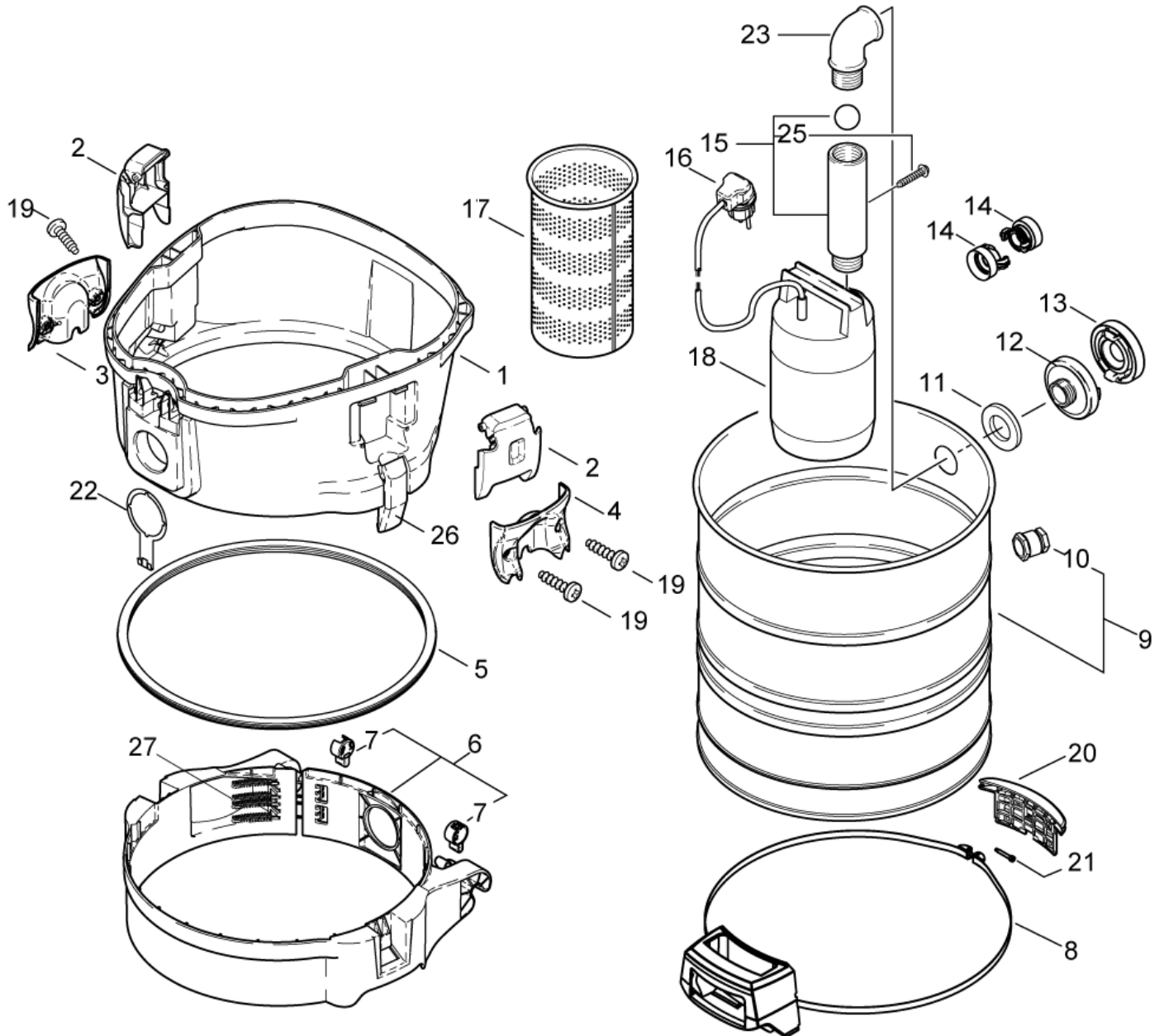
Container 751-61, -71, 19 GALLON AE

ATTIX 7

12-08-2011

StyMiste ID
ATTIX75018

29



Container 751-61, -71, 19 GALLON AE

ATTIX 7

12-08-2011

StyMiste ID
ATTIX75018

30

Pos	Vare nr.	Ant	Beskrivelse	EAN
1	107400257	1	MELLEMRING	4005337152
2	302000349	2	LUKKECLAMP	4005337674
3	302001553	1	SEAL CLAMP	4005337063
4	302001552	1	SEAL CLAMP	4005337063
5	302001432	1	PAKNING CONTAINER	4005337067
6	302001704	1	BELT CONTAINER 1480 SET	4005337072
7	302001441	2	INTERLOCK ATTIX 7	4005337059
8	302001605	1	HÅNDTAG	4005337068
9	302001361	1	CONTAINER ATTIX 7 /FIRE B RIGAD	4005337045
10	64901	1	CORD FIXING M16X1,5	4005337649
11	107402254	1	GASKET KIT D42X58X6	7319519680
11	60901	2	PACKING	4005337609
12	302001482	1	KOPLING C 1 1/4"	4005337061
13	34460	1	Coupling C	4005337344
14	7729	2	GEKA KOBLING	4005337077
15	302001133	1	DISCHARGE PIPE ASSY.	4005337036
16	11832	1	ELSTIK F. DYKPUMPE I SQ	4005337118
17	302001434	1	METAL BASKET 1200X372	4005337056
18	302000297	1	PUMP 230/50 650W	230V/50HZ 4005337674
18	302000307	1	PUMP SUBM. 115/60 650WC G 5/4/	115V/60HZ 4005337674
19	909100138	4	SKRUE	4005337023
20	302001363	1	HOLDER 155X55X35	4005337045
21	302001613	1	SKRUE M5X35X5	4005337068
22	107400145	1	Ground connector ATTIX 7	4005337151
23	21678	1	VINKEL 1.1/4	4005337216
24		1	RUBBER BALL D 35	4005337343
25	43341	1	SKRUE 5X30	4005337433
26	19880	1	SNAPLÅS SQ 550-11	4005337198
27	909100383	1	SPRING 1.40X7.5X113	4005337077

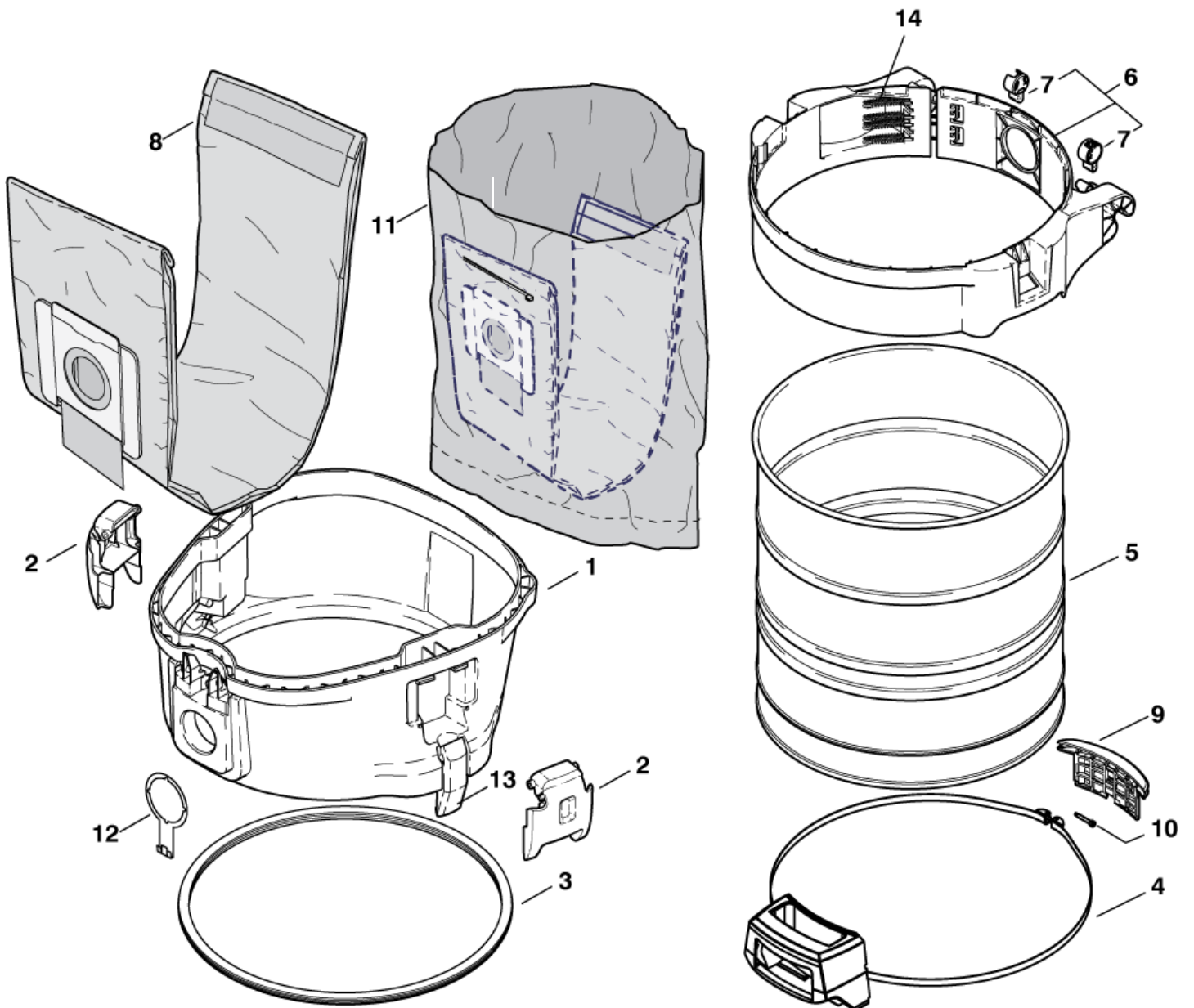
Container 761-21, 19 GALLON AS/PE

ATTIX 7

12-08-2011

StyMiste ID
ATTIX76012

31



Container 761-21, 19 GALLON AS/PE

ATTIX 7

12-08-2011

StyMiste ID

ATTIX76012

32

Pos	Vare nr.	Ant	Beskrivelse	EAN
1	107400257	1	MELLEMRING	4005337152
2	302000349	2	LUKKECLAMP	4005337674
3	302001432	1	PAKNING CONTAINER	4005337067
4	302001605	1	HÅNDTAG	4005337068
5	107402657	1	CONTAINER R408X430SS	7319519682
6	302001704	1	BELT CONTAINER 1480 SET	4005337072
7	302001441	2	INTERLOCK ATTIX 7	4005337059
8	302001484	1	FILTERPOSE ATTIX 7, 5 STK	4005337061
9	302001363	1	HOLDER 155X55X35	4005337045
10	302001613	1	SKRUE M5X35X5	4005337068
11	302001480	1	OPSAMLINGSGROSE ATTIX 7	4005337061
12	107400145	1	Ground connector ATTIX 7	4005337151
13	19880	1	SNA PLÅS SQ 550-11	4005337198
14	909100383	1	SPRING 1.40X7.5X113	4005337077

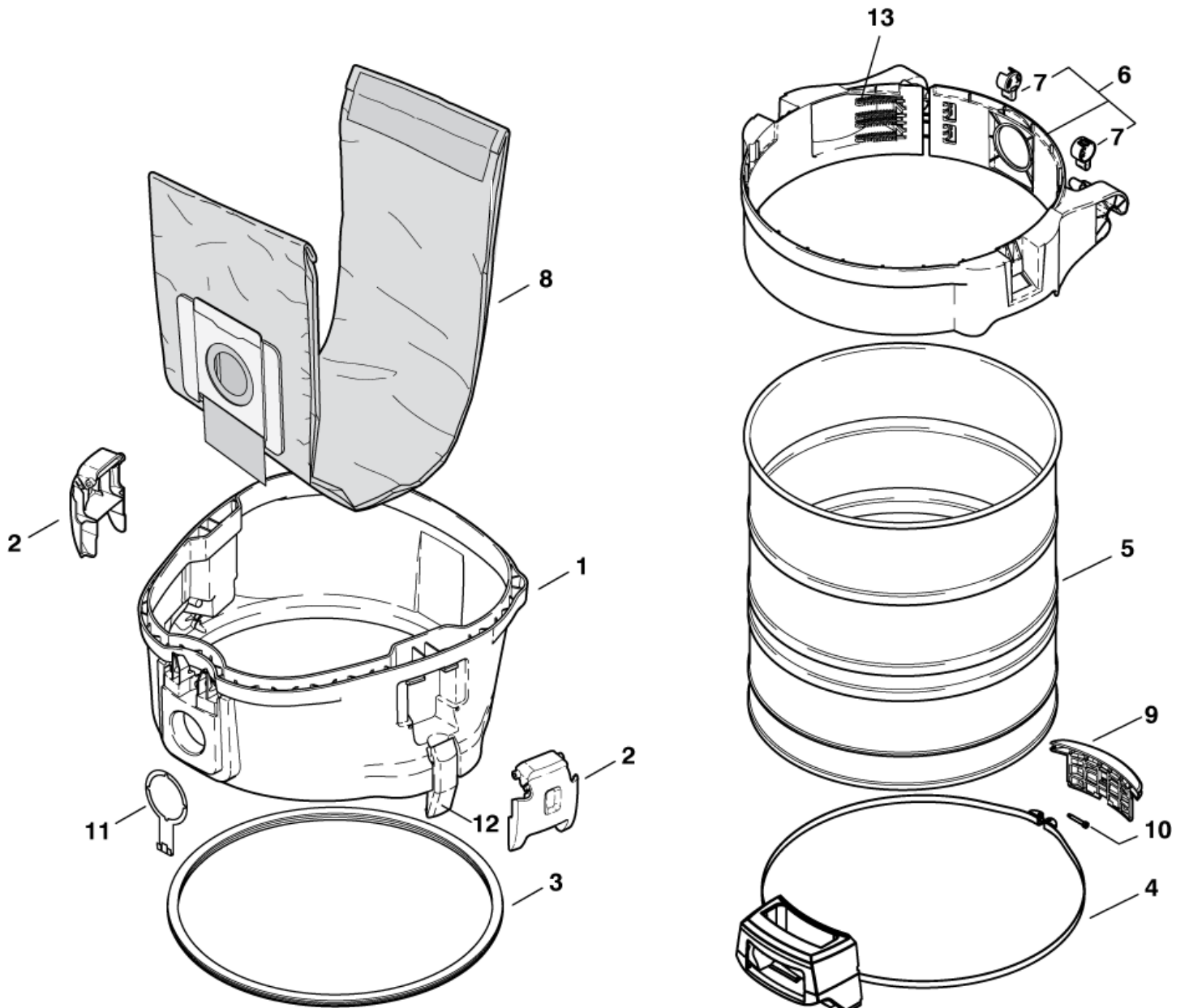
Container 791-21

ATTIX 7

12-08-2011

StyMiste ID
ATTIX59012

33



Container 791-21

ATTIX 7

12-08-2011

StyMiste ID

ATTIX59012

34

Pos	Vare nr.	Ant	Beskrivelse	EAN
1	107400257	1	MELLEMRING	4005337152
2	302000349	2	LUKKECLAMP	4005337674
3	302001432	1	PAKNING CONTAINER	4005337067
4	302001605	1	HÅNDTAG	4005337068
5	107402657	1	CONTAINER R408X430SS	7319519682
6	302001704	1	BELT CONTAINER 480 SET	4005337072
7	302001441	2	INTERLOCK ATTIX 7	4005337059
8	302001484	1	FILTERPOSE ATTIX 7, 5 STK	4005337061
9	302001363	1	HOLDER 155X55X35	4005337045
10	302001613	1	SKRUE M5X35X5	4005337068
11	107400145	1	Ground connector ATTIX 7	4005337151
12	19880	1	SNAPLÅS SQ 550-11	4005337198
13	909100383	1	SPRING 1.40X7.5X113	4005337077

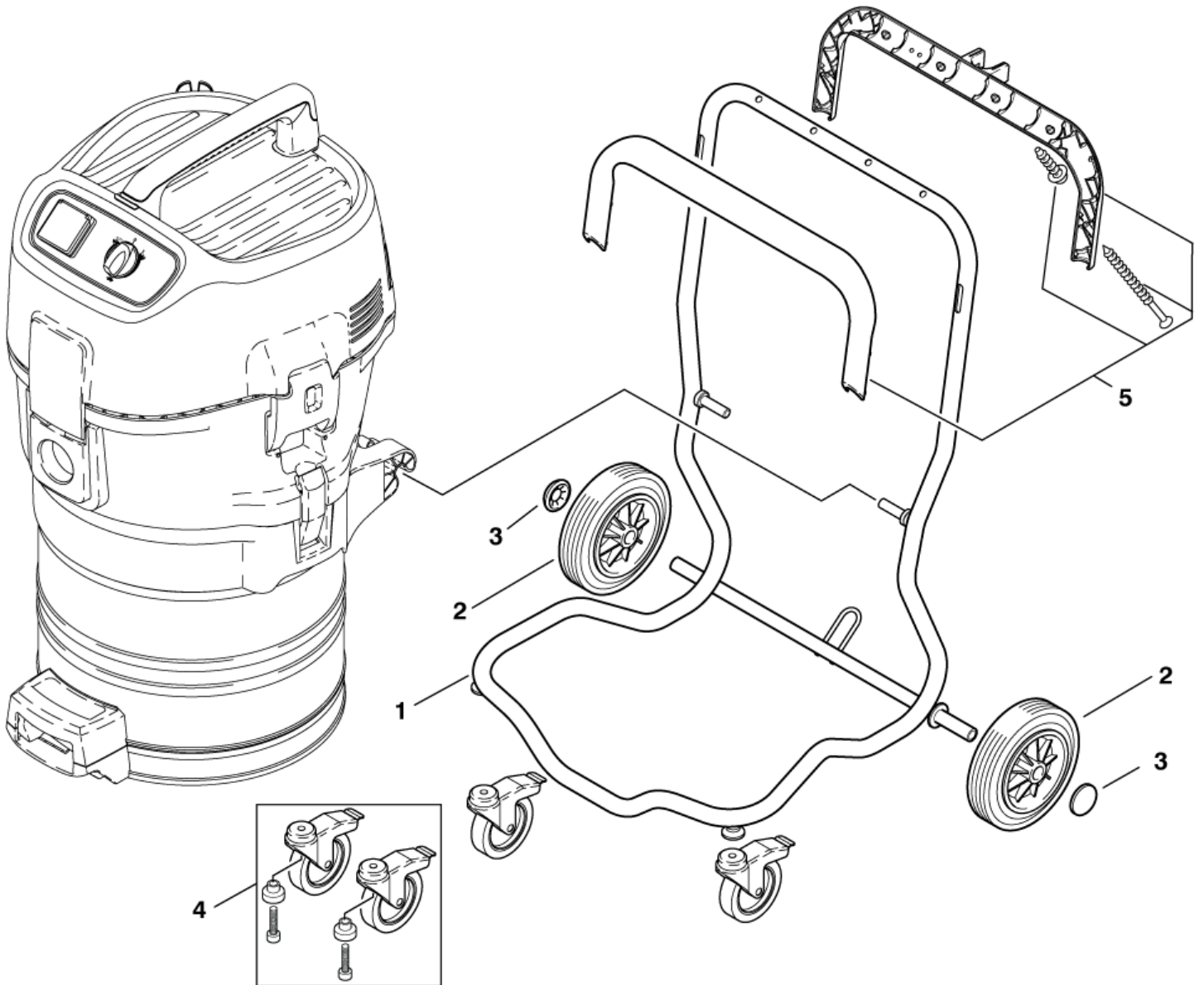
Frame 751-01, -11, -21, -61, 19 GALLON, 19 GALI

ATTIX 7

12-08-2011

StyMiste ID
ATTIX55020

35



Frame 751-01, -11, -21, -61, 19 GALLON, 19 GALI

ATTIX 7

12-08-2011

StyMiste ID

ATTIX55020

36

Pos	Vare nr.	Ant	Beskrivelse	EAN
1	302001437	1	RAMME	4005337056
2	107401077	2	HJUL 200X50	7319519676
3	3750	2	LÅS Ø20	4005337037
4	107401054	2	HJULSÆT F/ATTIX 7	7319519676
5	302001706	1	HÅNDTAK	4005337072

Frame 751-71

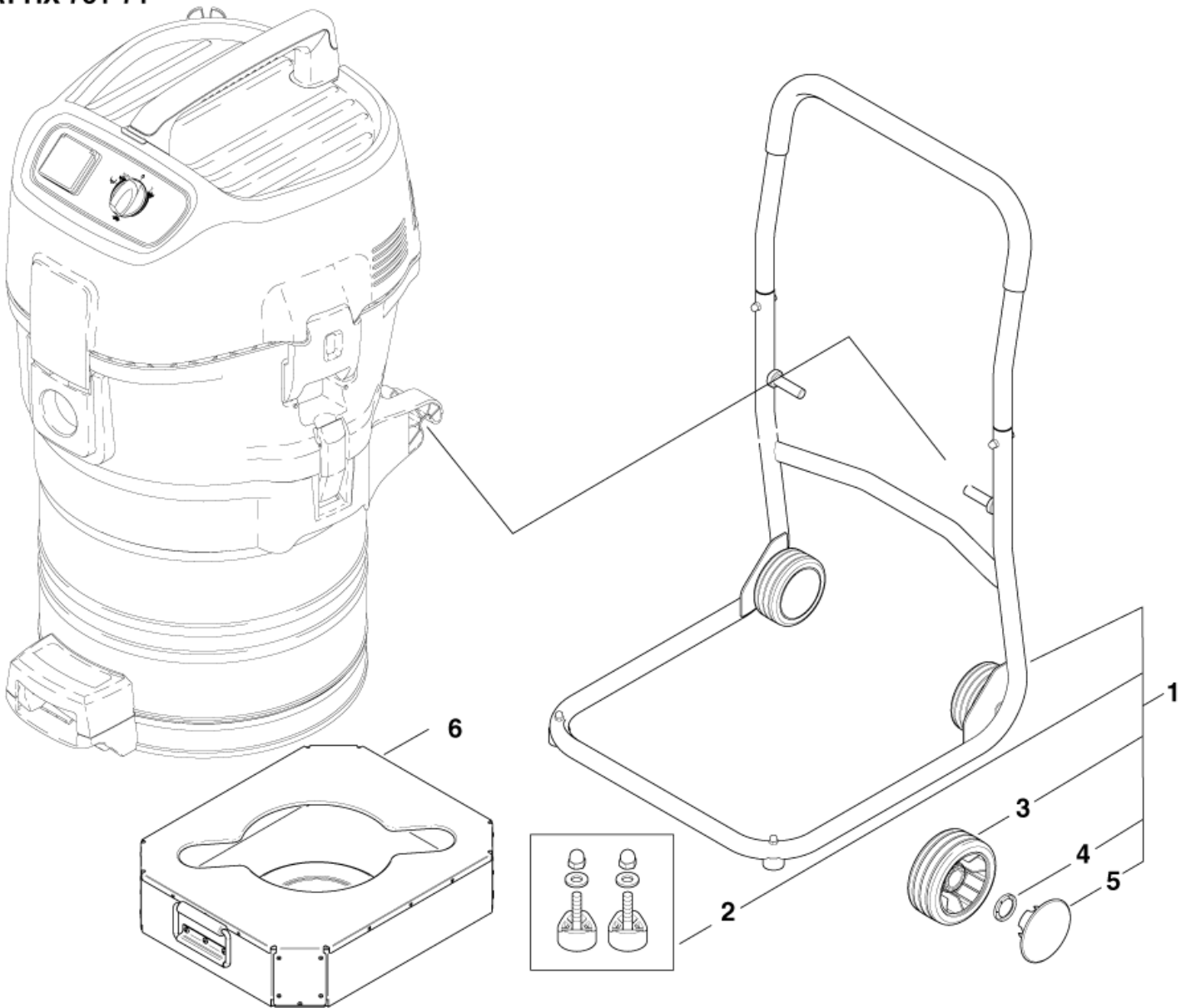
ATTIX 7

12-08-2011

StyMiste ID
ATTIX55022

37

ATTIX 751-71



Frame 751-71

ATTIX 7

12-08-2011

StyMiste ID

ATTIX55022

38

Pos	Vare nr.	Ant	Beskrivelse	EAN
1	302001472	1	BASE FRAME ATTIX 7	4005337059
2	302001705	1	SUSTAINER Ø 26X17 SET2	4005337072
3	302000465	2	HJUL ATTIX 3	4005337682
4	47302	2	LÅSESKIVE	4005337473
5	25710	2	HUB CAP Ø 75	4005337257
6	302001554	1	BOX F/ SUCTIONHOSE ATTIX7	4005337068

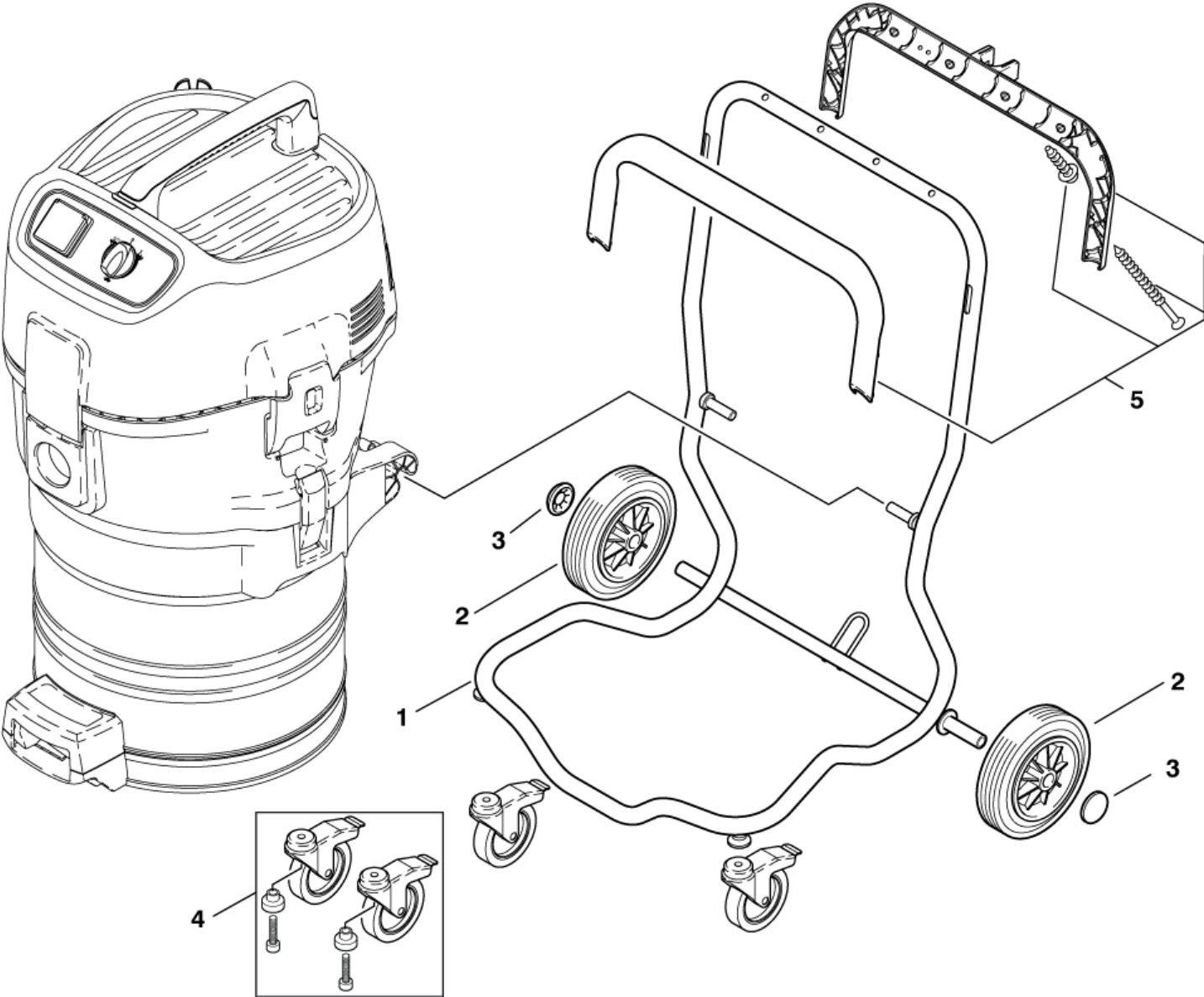
Frame 761-21, 19 GALLON AS/PE

ATTIX 7

12-08-2011

StyMiste ID
ATTIX56014

39



Frame 761-21, 19 GALLON AS/PE

ATTIX 7

12-08-2011

StyMiste ID

ATTIX56014

40

Pos	Vare nr.	Ant	Beskrivelse	EAN
1	302001437	1	RAMME	4005337056
2	107401077	2	HJUL 200X50	7319519676
3	3750	2	LÅS Ø20	4005337037
4	107401054	2	HJULSÆT F/ATTIX 7	7319519676
5	302001706	1	HÅNDTAK	4005337072

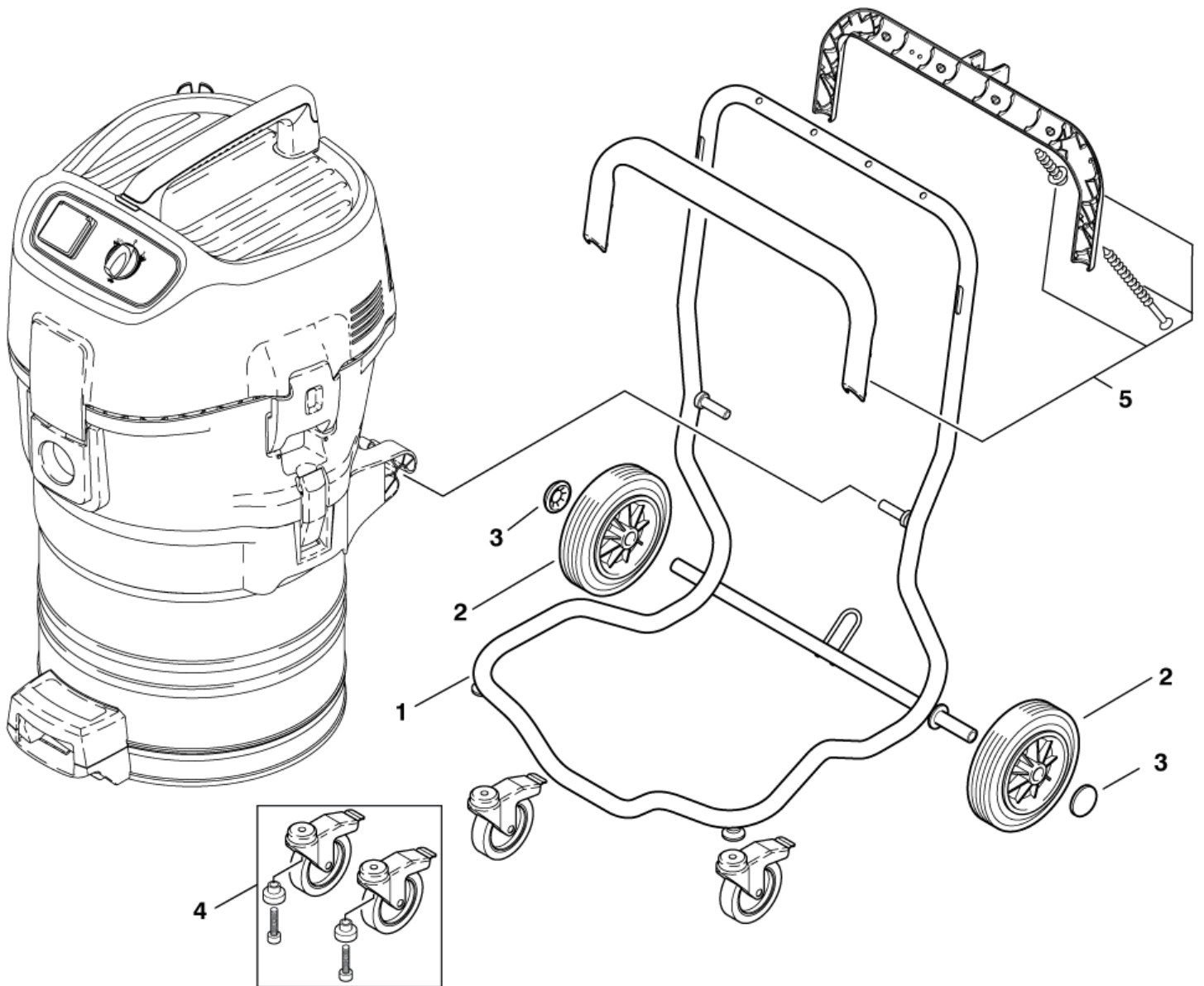
Frame 791-21

ATTIX 7

12-08-2011

StyMiste ID
ATTIX59016

41



Frame 791-21

ATTIX 7

12-08-2011

StyMiste ID
ATTIX59016

42

Pos	Vare nr.	Ant	Beskrivelse	EAN
1	302001437	1	RAMME	4005337056
2	107401077	2	HJUL 200X50	7319519676
3	3750	2	LÅS Ø20	4005337037
4	107401054	2	HJULSÆT F/ATTIX 7	7319519676
5	302001706	1	HÅNDTAK	4005337072

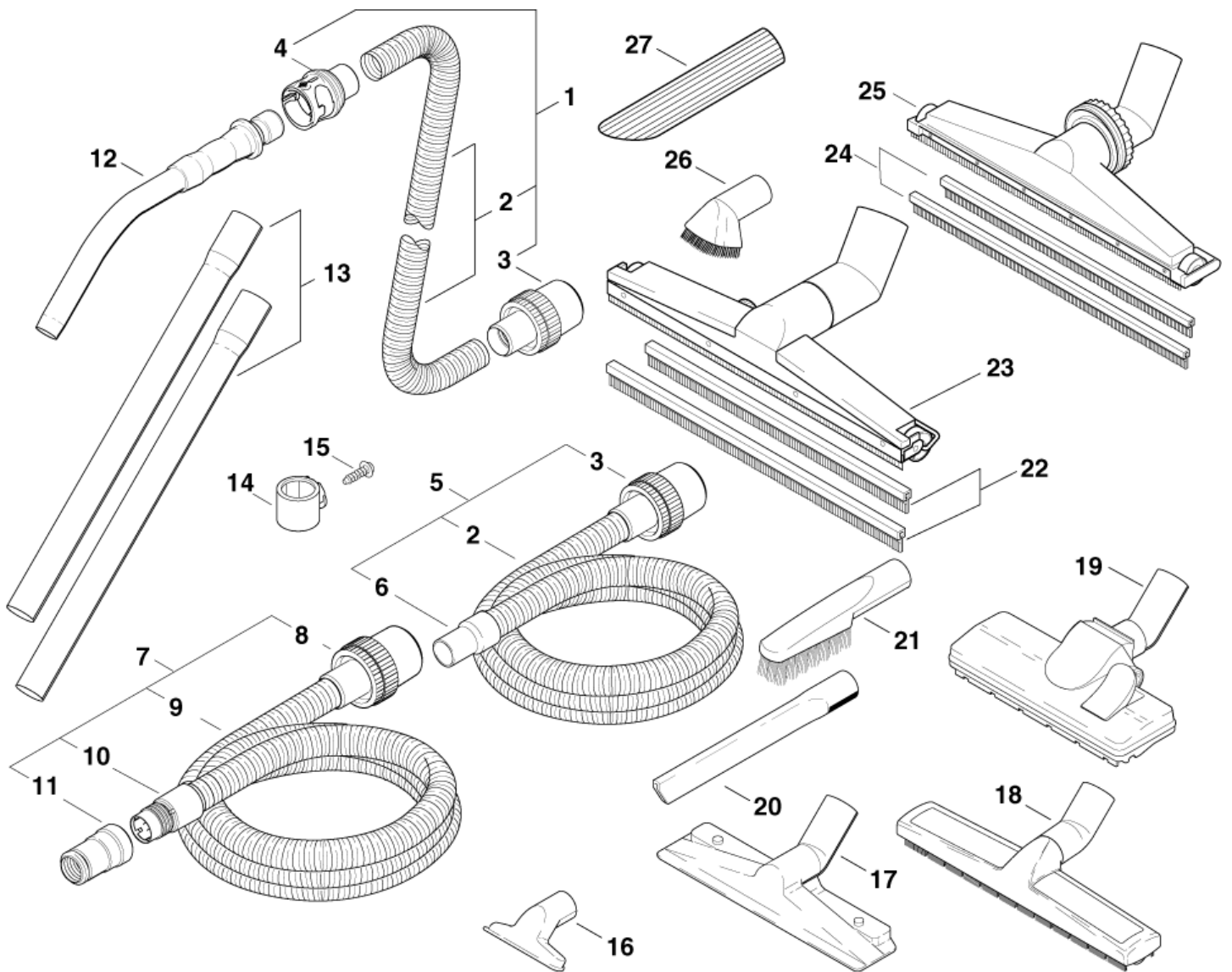
Accessories 550, 751

ATTIX 7

12-08-2011

StyMiste ID
ATTIX55024

43



Accessories 550, 751

ATTIX 7

12-08-2011

StyMiste ID
ATTIX55024

44

Pos	Vare nr.	Ant	Beskrivelse	EAN
1	25537	1	SLANGE Ø36X4000 M/LYNKOBL	4005337255
1	302001677	1	SUGESLANGE ATTIX 7	751-71 4005337070
1	46948	1	SUGESLANGE 3M Ø36	4005337469
2	11985	1	SUGESLANGE Ø 36 PR MTR	4005337119
2	6429	1	SUGESLANGE ALU Ø36MM PR.M	751-71 4005337064
3	15102	1	MUFFE F. SUGER Ø36	4005337151
4	302001345	1	KOBLINGSMUFFE Ø36	4005337045
5	15805	1	SUGESLANGE Ø36, 3 MTR.	4005337158
6	11597	1	MUFFE F. RØR	4005337115
7	15325	1	SUGESLANGE ANT. 3,5M Ø27	4005337153
8	15369	1	SLANGEMUFFE ANTISTAT Ø27	4005337153
9	15326	1	SUGESLANGE ANT. Ø27 PR.M	4005337153
10	63509	1	GEVINDSTYKKE	4005337635
11	107404520	1	ADAPTER Ø27/36	7319519685
11	18195	1	MUFFE TIL RØR Ø27	4005337181
12	302000528	1	RØRBØJNING Ø36	4005337683
12	46691	1	RØRBØJNING, RF STÅL Ø36	4005337466
13	15546	1	FORLÆNGERRØR, 2 STK, Ø36 500MM	4005337155
13	302000529	1	SUGERØR Ø36 CROM	4005337021
14	26821	1	TILBEHØRSHOLDER ATTIX	4005337268
14	28546	1	HOLDER FLOOR-NOZZLE	12GALL.RDF 4005337285
15	12400	1	SKRUE	4005337124
16	14295	1	POLSTERMUNDSTYKKE MBØRST Ø36 115MM	4005337142
17	5147	1	GULVMUNDSTYKKE ALU. Ø36	4005337051
18	302000521	1	KOMBIMUNDSTYKKE ATTIX	4005337683
18	60356	1	UNIVERSALMUNDSTK. PLAST	4005337603
19	302000477	1	KOMBIMUNDSTYKKE Ø36 260MM	4005337682
20	6084	1	FUGEMUNDSTYKKE, PLAST Ø36	4005337060
21	6086	1	BØRSTE, PLAST Ø36	4005337060
22	15352	1	GUMMILISTE F. 15349	751-71 4005337153
23	15349	1	VÅDSUGNINGSMUNDSTYKKE Ø36	751-71 4005337153
24	6114	1	GUMMILISTE F. 5149	4005337061
25	5149	1	GULVMUNDSTYKKE, PLAST Ø36	4005337051
26	5146	1	BØRSTE Ø36	4005337051
27	5067	1	FUGEMUNDSTYKKE, GUMMI Ø36	4005337050

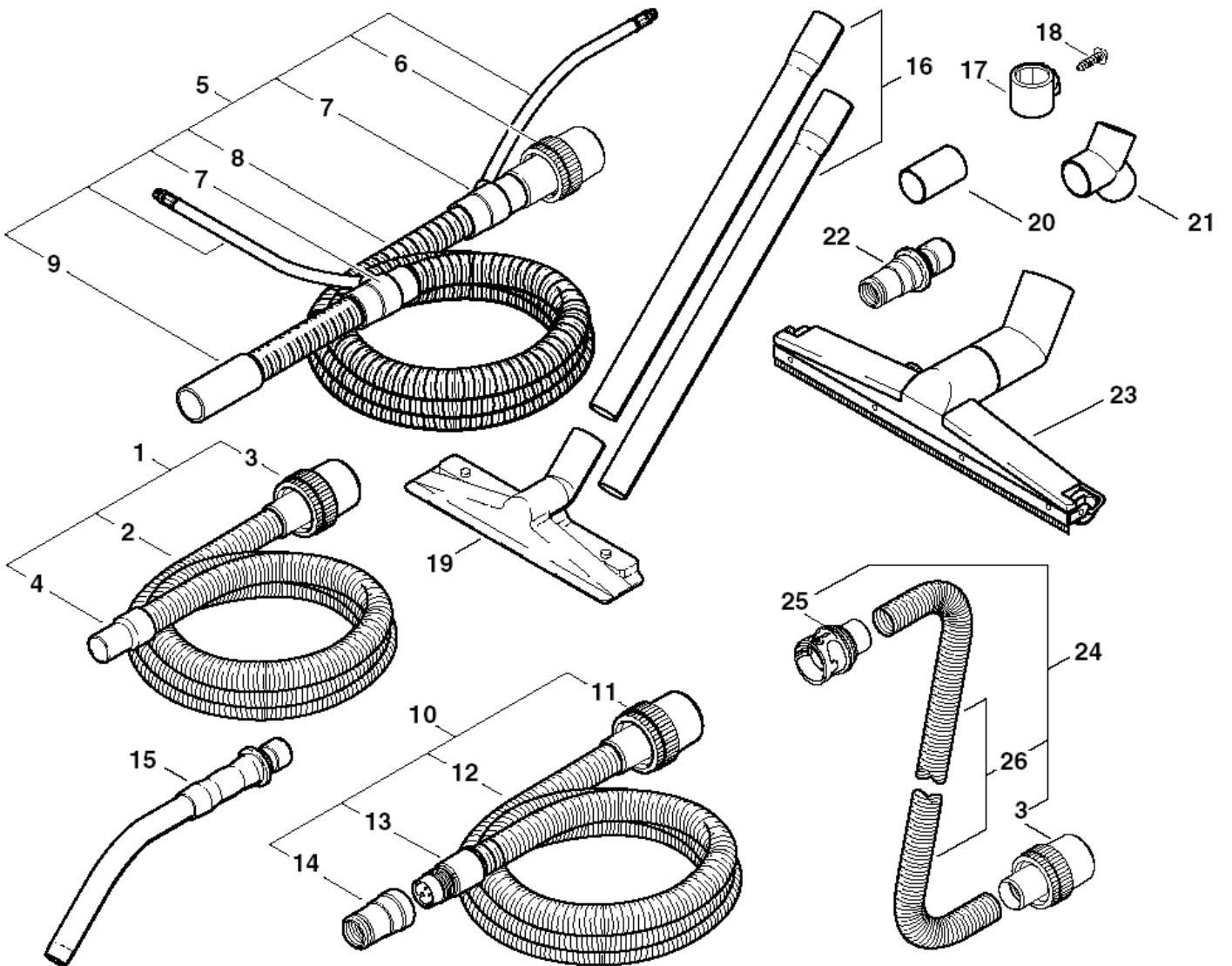
Accessories 560, 761, 763

ATTIX 7

12-08-2011

StyMiste ID
ATTIX56016

45



Accessories 560, 761, 763

ATTIX 7

12-08-2011

StyMiste ID
ATTIX56016

46

Pos	Vare nr.	Ant	Beskrivelse	EAN
1	15805	1	SUGESLANGE Ø36, 3 MTR.	4005337158
2	11985	1	SUGESLANGE Ø 36 PR MTR	* SEE NOTE 4005337119
3	15102	1	MUFFE F. SUGER Ø36	4005337151
4	11597	1	MUFFE F. RØR	4005337115
5	26601	1	COAXIAL SUCTION HOSE Ø32	4005337266
6	30928	1	ADAPT. ANTISTAT Ø32	4005337309
7	26309	1	HOSE SLEEVE 32	4005337263
8	43502	1	SLANGE PR. MTR. Ø 32MM	* SEE NOTE 4005337435
9	60033	1	HOSE SLEEVE Ø32	4005337600
10	15325	1	SUGESLANGE ANT. 3,5M Ø27	4005337153
11	15369	1	SLANGEMUFFE ANTISTAT Ø27	4005337153
12	15326	1	SUGESLANGE ANT. Ø27 PR.M	* SEE NOTE 4005337153
13	63509	1	GEVINDSTYKKE	4005337635
14	107404520	1	ADAPTER Ø27/36	7319519685
14	18195	1	MUFFE TIL RØR Ø27	4005337181
15	302000528	1	RØRBØJNING Ø36	4005337683
15	46691	1	RØRBØJNING, RF STÅL Ø36	4005337466
16	15546	1	FORLÆNGERRØR, 2 STK, Ø36 500MM	4005337155
16	302000529	1	SUGERØR Ø36 CROM	4005337021
17	28546	1	HOLDER FLOOR-NOZZLE	4005337285
18	12400	1	SKRUE	4005337124
19	5147	1	GULVMUNDSTYKKE ALU. Ø36	4005337051
20	15953	1	DIREKTE TILSLUTN. ANTIST.	4005337159
21	15331	1	STAR DISTR. PLAST ANTIST.	4005337153
22	302000535	1	ADAPTOR F. VÆRKTØJ	4005337683
23	15348	1	TØRSUGNINGSMUNDSTYKKE Ø36	4005337153
24	302001682	1	SUGESLANGE Ø36X5000 M. KOBLINGER	4005337070
25	302001345	1	KOBLINGSMUFFE Ø36	4005337045
26	15312	1	SUGESLANGE ANT.Ø36 PR.MTR	* SEE NOTE 4005337153

* NOTE: PLEASE INDICATE LENGTHS IN METRES WHEN ORDERING

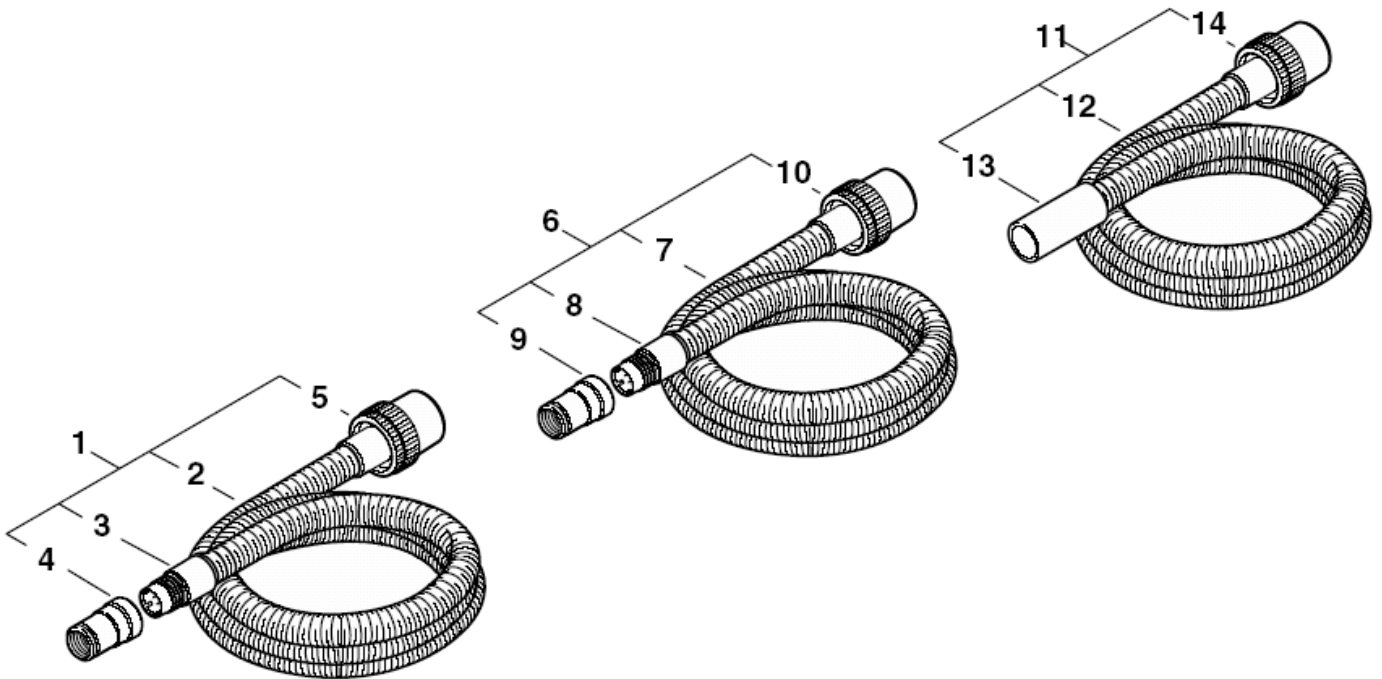
Accessories 590, 791

ATTIX 7

12-08-2011

StyMiste ID
ATTIX59020

47



Accessories 590, 791

ATTIX 7

12-08-2011

StyMiste ID
ATTIX59020

48

Pos	Vare nr.	Ant	Beskrivelse		EAN
1	15325	1	SUGESLANGE ANT. 3,5M Ø27	590-21, 791-21	4005337153
2	15326	1	SUGESLANGE ANT. Ø27 PR.M	590-21, 791-21	4005337153
3	63509	1	GEVINDSTYKKE	590-21, 791-21	4005337635
4	107404520	1	ADAPTER Ø27/36	590-21, 791-21	7319519685
4	18195	1	MUFFE TIL RØR Ø27	590-21, 791-21	4005337181
5	15369	1	SLANGEMUFFE ANTISTAT Ø27	590-21, 791-21	4005337153
6	48132	1	SUGESLANGE Ø27 3,5M	791-2M/B1	4005337481
7	15326	1	SUGESLANGE ANT. Ø27 PR.M	791-2M/B1	4005337153
8	63509	1	GEVINDSTYKKE	791-2M/B1	4005337635
9	18195	1	MUFFE TIL RØR Ø27	791-2M/B1	4005337181
10	48068	1	HOSE SLEEVE Ø 27 B1	791-2M/B1	4005337480
11	302000693	1	SUGESLANGE Ø32X3000	EC 12 GALLON AS/E	4005337690
12	43502	1	SLANGE PR. MTR. Ø 32MM	EC 12 GALLON AS/E	4005337435
13	14682	1	SLANGEMUFFE	EC 12 GALLON AS/E	4005337146
14	30928	1	ADAPT. ANTISTAT Ø32	EC 12 GALLON AS/E	4005337309

ANBEFALEDE RESERVEDELE

ATTIX 7

12-08-2011

StyMiste ID
ATTIX7002

49

Ingen tegning

ANBEFALEDE RESERVEDELE

ATTIX 7

12-08-2011

StyMiste ID
ATTIX7002

50

Pos	Vare nr.	Ant	Beskrivelse	EAN
1	107400145	1	Ground connector ATTIX 7	4005337151
1	107400257	1	MELLEMRING	4005337152
1	107400271	1	CORD H07BQ-F 3G2.5 GB	GB,110V 751-11/21, 761-21 4005337153
1	107400574	1	CORD H05BQ-F 3G1.0 CEE GB 110	GB 751-01 7319519672
1	107400579	1	PIEZO BUZZER	7319519672
1	107401054	1	HJULSÆT F/ATTIX 7	7319519676
1	107401077	1	HJUL 200X50	7319519676
1	107402619	1	SCREENING FILTER KIT	590-21, 791-21, 791-2M/B1EUGB,230V 7319519682
1	107402635	1	ELECTROMAGNET 24V KIT	FOR 220-240V 7319519682
1	107402639	1	MONTERINGSPLADE	7319519682
1	107402646	1	FILTER SUPPORT CAGE ATTIX PP	7319519682
1	107402651	1	TENSION JACK	7319519682
1	107402653	1	BUNDPLADE F/FILTER	7319519682
1	107402655	1	TEMPERATURE SENSOR KIT	751-71 7319519682
1	11379	1	HOSE Ø3X1,5	SEE NOTE* 4005337113
1	11753	1	FILTER AERO/SQ 550/SQ 650	ZA 4005337117
1	11832	1	ELSTIK F. DYKpumpe I SQ	4005337118
1	11985	1	SUGESLANGE Ø 36 PR MTR	4005337119
1	14808	1	NIPPEL	560-31XC 4005337148
1	14809	1	OVERGANG	560-31XC 4005337148
1	15325	1	SUGESLANGE ANT. 3,5M Ø27	590-21, 791-21 4005337153
1	15348	1	TØRSUGNINGSMUNDSTYKKE Ø36	4005337153
1	15349	1	VÅDSUGNINGSMUNDSTYKKE Ø36	751-71 4005337153
1	15352	1	GUMMLISTE F. 15349	751-71 4005337153
1	15475	1	FILTER-SI SQ 4-5-6	4005337154
1	15546	1	FORLÆNGERRØR, 2 STK, Ø36 500MM	4005337155
1	15805	1	SUGESLANGE Ø36, 3 MTR.	4005337158
1	19880	1	SNAPLÅS SQ 550-11	4005337198
1	26601	1	COAXIAL SUCTION HOSE Ø32	4005337266
1	26774	1	KULSÆT "M"	FOR IDENTIF. LETTER M 4005337267
1	26775	1	KULSÆT "L"	FOR IDENTIF. LETTER L 4005337267
1	26783	1	MOTOR 100V 1200W	100V/1200W 751-71 4005337267
1	26784	1	MOTOR 120V 1200W	110-120V/1200W 751-71 4005337267
1	26785	1	MOTOR 120V 1000W	120V/1000W 751-71 4005337267
1	28875	1	MOTORPAKKNINGSSÆT "L"+"M"	FOR IDENTIF.LETTERL+M 4005337288
1	29205	1	MOTOR BEARING RING SET	FOR IDENTIF. LETTER L+M 4005337292
1	302000217	1	ELECTROMAGNET 12V	FOR 100-120V 4005337673
1	302000297	1	PUMP 230/50 650W	230V/50HZ 4005337674
1	302000307	1	PUMP SUBM. 115/60 650WC G 5/4/	115V/60HZ 4005337674
1	302000345	1	FILTER SUPPORT	4005337674
1	302000349	1	LUKKECLAMP	4005337674
1	302000371	1	SPÆNDPLADE	590-21, EC 12GALLON AS/E, 791-21 4005337674

* NOTE: PLEASE INDICATE LENGTHS IN METRES WHEN ORDERING

ANBEFALEDE RESERVEDELE

ATTIX 7

12-08-2011

StyMiste ID
ATTIX7002

51

Pos	Vare nr.	Ant	Beskrivelse		EAN
1	302000372	1	PLADE ATTIX 5	751-71	4005337674
1	302000373	1	LUFTFORDELER ATTIX 5		4005337674
1	302000385	1	FILTERHUS		4005337020
1	302000386	1	LUFTKANAL		4005337021
1	302000387	1	FLAP		4005337020
1	302000428	1	ELECTRONIC FLOWSSENS 9X6MM		4005337680
1	302000430	1	POWER CORD H05RR-F 3G0.75X8.0	EU 751-01	4005337680
1	302000432	1	POWER CORD H05RR-F 3G0.75X8.2M SNV -CH	CH 751-01	4005337680
1	302000433	1	POWER CABLE DK	DK 751-01	4005337680
1	302000434	1	POWER CORD H05RR-F 3G0,7	AU 751-01	4005337681
1	302000435	1	POWER CORD SJTW-A AWG18/3X8.2M NEMA -US	S 751-01	4005337681
1	302000437	1	KABEL	EU 751-61, 791-21	4005337681
1	302000439	1	P.CORD H05RR-F 3G1.0X8.2M -CH	CH 751-61	4005337681
1	302000440	1	ELKABEL	DK 751-61	4005337681
1	302000460	1	TÆTNING F. FILTER ATTIX	751-71	4005337136
1	302000465	1	HJUL ATTIX 3		4005337682
1	302000477	1	KOMBIMUNDSTYKKE Ø36 260MM		4005337682
1	302000490	1	FILTER ELEMENT ATTIX 3-5		4005337682
1	302000511	1	PLADE		4005337021
1	302000512	1	KROG F.FILTERHOLDER ATTIX		4005337020
1	302000514	1	PAKNING		4005337023
1	302000528	1	RØRBØJNING Ø36		4005337683
1	302000529	1	SUGERØR Ø36 CROM		4005337021
1	302000627	1	ELECTRONIC 110-120V SET1	100-120V, 12GALL.RDF 751-11 -21	4005337687
1	302000628	1	ELEKTRONIK M. DREJEGREB	220-240V, 550-21, 751-21, 751-11	4005337687
1	302000637	1	TÆTNING F. BEHOLDER ATTIX	751-71	4005337687
1	302000683	1	STIKDÅSE	DK 751-11/21, 761-21	4005337690
1	302000685	1	POWER CORD H05RR-F3G0,75	ZA 751-01	4005337690
1	302000693	1	SUGESLANGE Ø32X3000	EC 12 GALLON AS/E	4005337690
1	302000697	1	GASKET FILTER		4005337690
1	302000751	1	FILTERELEMENT L+M SET		4005337020
1	302000752	1	CORD SET H05RR-F 3G1.5X10.7-GB	GB,230V 751-01/11/21, 761-21	4005337021
1	302000756	1	SWITCH BOX	550-1, 12 GALLON, 751-01	4005337020
1	302000823	1	Contact spring 41,8x14 as br	GB,230V	4005337025
1	302000825	1	ELECTRONIC SOFT START 100-	100-120V, 751-11GB,110/50, 19GALL.	4005337026
1	302000826	1	ELEKTRONIK	220-240V, 751-11 -21 19 GALL.	4005337026
1	302000833	1	ELECTRONICS EC-3 230V SET	590-21, 791-21, 791-2M/B1EUGB,230V	4005337035
1	302000852	1	ELECTRONIC 120V SET1	100-120V 761-21	4005337028
1	302000853	1	PRINT 230V SÆT	220-240V 761-21	4005337028
1	302001185	1	SOCKET	AU	4005337041
1	302001363	1	HOLDER 155X55X35		4005337045
1	302001425	1	ELECTRONIC EA.W.SPEED EC	590-21, 791-21	4005337054

* NOTE: PLEASE INDICATE LENGTHS IN METRES WHEN ORDERING

ANBEFALEDE RESERVEDELE

ATTIX 7

12-08-2011

StyMiste ID
ATTIX7002

52

Pos	Vare nr.	Ant	Beskrivelse	EAN
1	302001430	1	ELECTRONIC EC 110V SET-1 EC 12GALLON AS/E, 791-2M/B1GB,110V	4005337055
1	302001432	1	PAKNING CONTAINER	4005337067
1	302001434	1	METAL BASKET ̈200X372	4005337056
1	302001441	1	INTERLOCK ATTIX 7	4005337059
1	302001482	1	KOPLING C 1 1/4"	4005337061
1	302001546	1	PAKNING 791-21, 791-2M/B1	4005337068
1	302001552	1	SEAL CLAMP	4005337063
1	302001553	1	SEAL CLAMP	4005337063
1	302001580	1	POWER CORD H07RN-F 3G1.5X10.7 751-71	4005337067
1	302001605	1	HÅNDTAG	4005337068
1	302001641	1	Adapter base plate/filter 751-01, 751-11, 751-21, 19GALL., 791-21, 791-2M/B1	4005337069
1	302001678	1	LUFT MANIFOLD 19GALLON AS/PE2	4005337070
1	302001682	1	SUGESLANGE Ø36X5000 M. KOBLINGER	4005337070
1	302001704	1	BELT CONTAINER ̈480 SET	4005337072
1	302001708	1	POWER CORD SJTW-A AWG 751-71 19GALLON AE	4005337072
1	302001711	1	ELECTRONIC 100-120V SET1 100-120V 751-61-71	4005337072
1	302001712	1	CIRCUIT BOARD EC 220/240V 220-240V 751-61-71	4005337072
1	302004034	1	STIKDÅSE 16A/250V EU EU -590-21, 751-11/21, 761-71, 791-21	4005337147
1	302004332	1	POWER CORD US US 751-11/21	7319519675
1	302004333	1	POWER CORD AU AU	7319519675
1	302004336	1	SOCKET 13A/250V GB GB,230V 751-11/21, 761-21	7319519675
1	302004337	1	SOCKET 10A/250V CH CH 751-11/21 761-21	7319519675
1	302004338	1	SOCKET 15A/125V US/CSA US 751-11/21 761-21	7319519675
1	34460	1	Coupling C	4005337344
1	3750	1	LÅS Ø20	4005337037
1	42538	1	MOTORPAKNINGSSÆT "C" FOR IDENTIF. LETTER C	4005337425
1	43238	1	SOCKET 2-POL.16A-4H/110-1 30V GB,110V 751-11/21	4005337432
1	47035	1	COLLAR 55 SHORE A EPDM 19GALL.AE	4005337470
1	47036	1	GUMMIPAKNING	4005337470
1	47302	1	LÅSESKIVE	4005337473
1	47364	1	PACKING RING 108X86X18	4005337473
1	48132	1	SUGESLANGE Ø27 3,5M 791-2M/B1	4005337481
1	48333	1	SIKRING 10A 590-21, 791-21, 791-2M/B1EUGB,230V	4005337483
1	49594	1	MOTOR 220V SQ 220-240V/1200W 751-71	7319519675
1	49625	1	KULSÆT "C" FOR IDENTIF. LETTER C	4005337496
1	5149	1	GULVMUNDSTYKKE, PLAST Ø36	4005337051
1	60561	1	SUGEMOTOR 220-240V 1200W 590-21, 791-21,, 791-2M/B1EUGB,230V	4005337605
1	60877	1	BRACKET	4005337608
1	60901	1	PACKING	4005337609
1	6114	1	GUMMLISTE F. 5149	4005337061
1	61167	1	MOTORPAKNING FOR IDENTIF. LETTER C	4005337611
1	61174	1	JORDKABEL	4005337611

* NOTE: PLEASE INDICATE LENGTHS IN METRES WHEN ORDERING

ANBEFALEDE RESERVEDELE

ATTIX 7

12-08-2011

StyMiste ID
ATTIX7002

53

Pos	Vare nr.	Ant	Beskrivelse	EAN
1	62359	1	PAKNING	4005337623
1	6429	1	SUGESLANGE ALU Ø36MM PR.M	751-71 4005337064
1	64937	1	SCREENING FILTER	EC 12GALLON AS/E, 791-2M/B1GB,110V 4005337649
1	65058	1	FINE-WIRE FUSE	EC 12GALLON AS/E, 791-2M/B1GB,110V 4005337650
1		1	NOTE COMMENT	5701715456
1	7729	1	GEKA KOBLING	4005337077
1	909100204	1	DREJEKNAP	751-61-71 4005337689

* NOTE: PLEASE INDICATE LENGTHS IN METRES WHEN ORDERING