

Dynamics 440
Dynamics 840
Dynamics 440 M/B1
Dynamics 840 M/B1

ALTO[®]
Total Cleaning
Confidence[™]

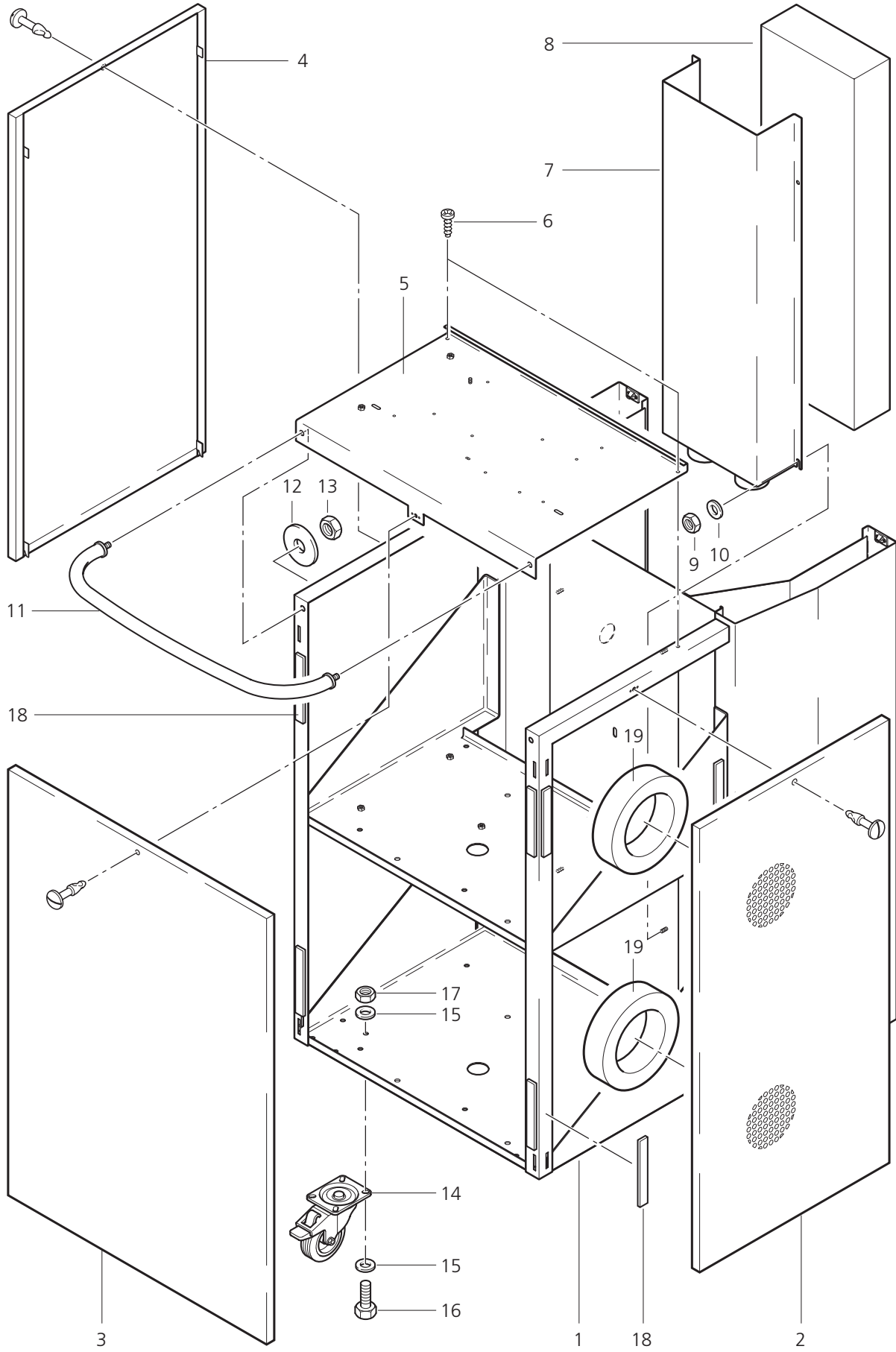


Spare parts
Ersatzteile
Pièces détachées

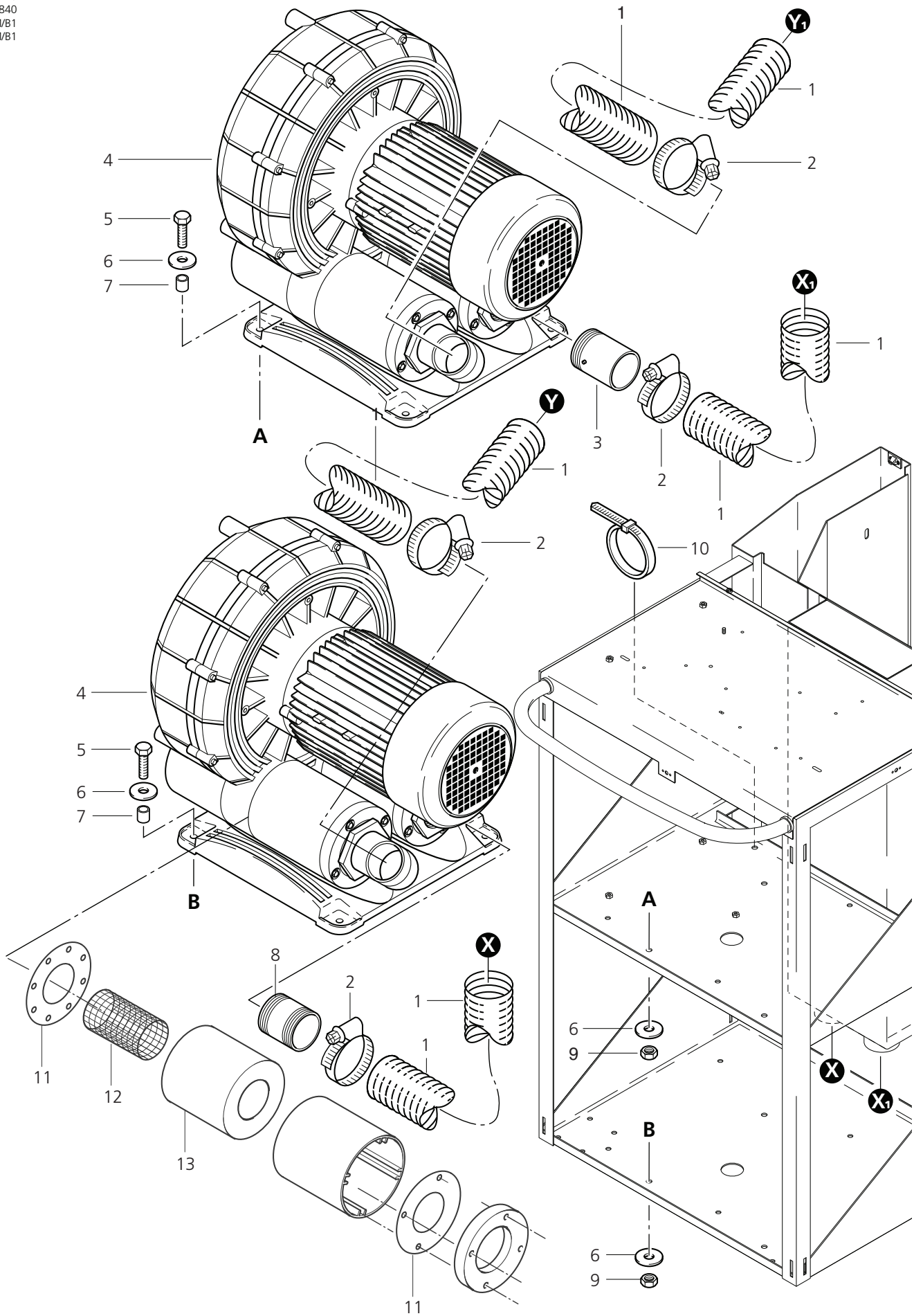
64351
021101

WAP
TECHNOLOGY

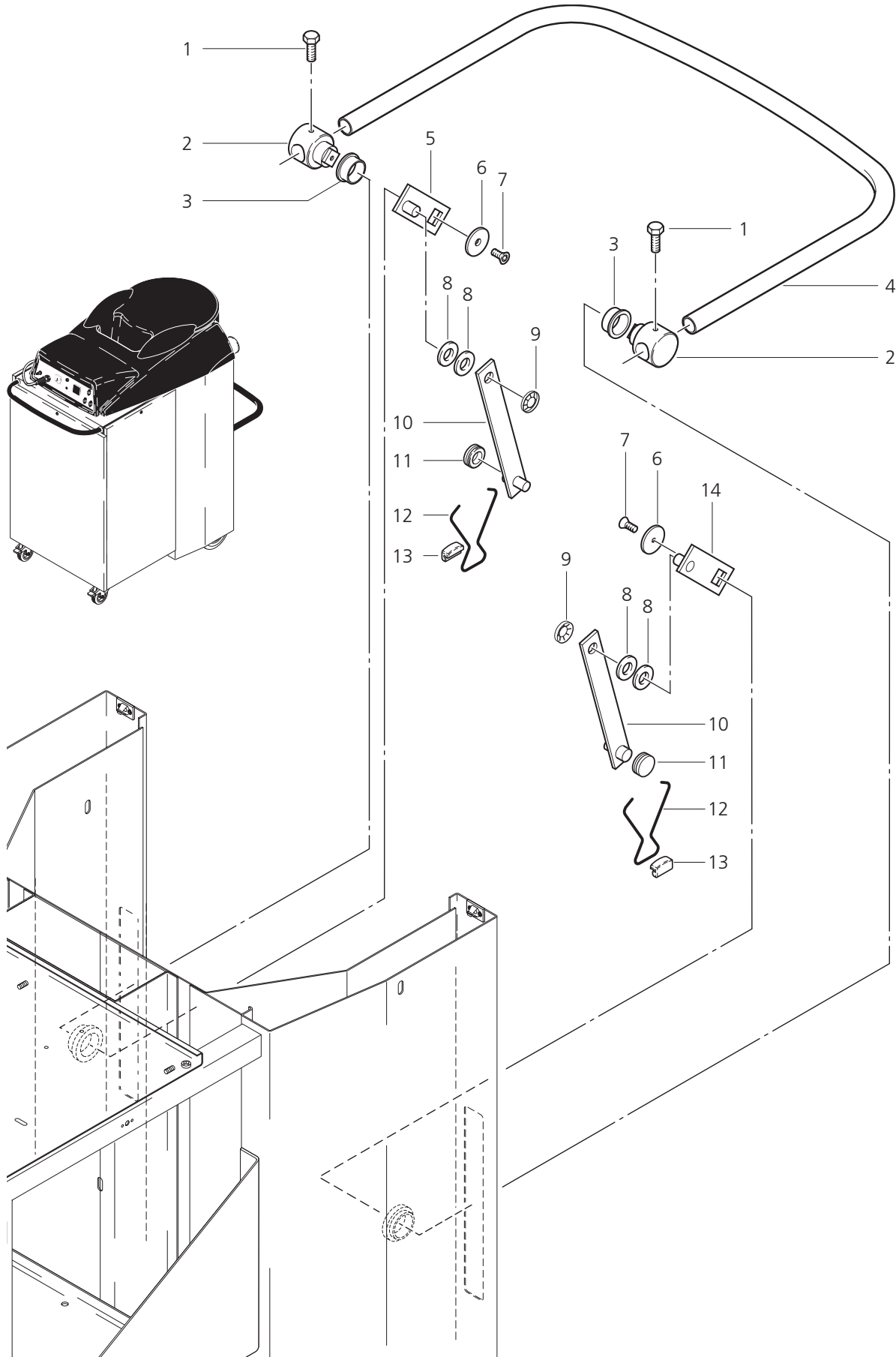
Dynamics
440
840
440MB1
840MB1



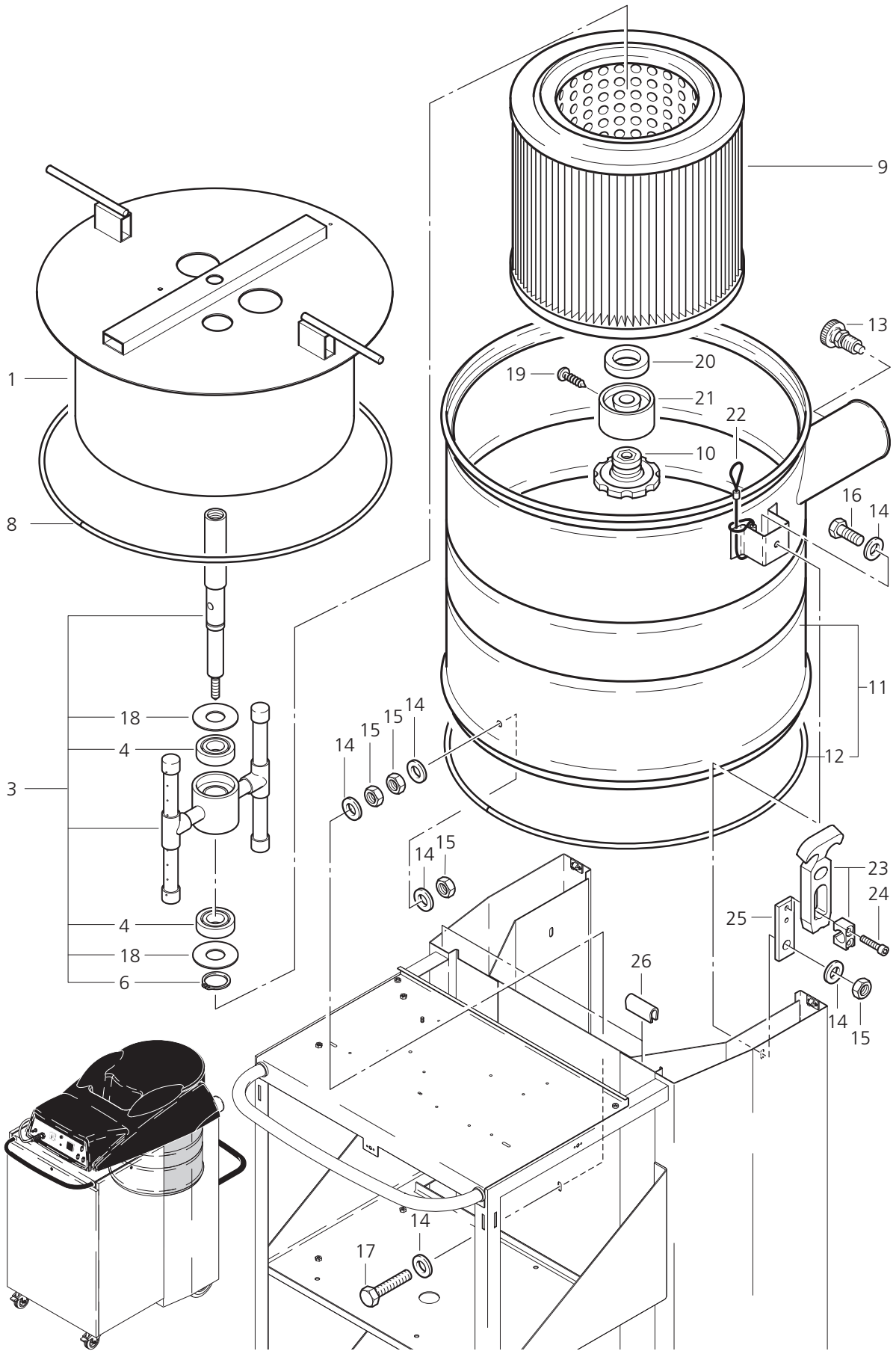
| POS. | NO. | BEZEICHNUNG | DESCRIPTION | DESIGNATION |
|------|---|----------------------------|---|--------------------------|
| 1 | 65233 | Gehäuse | | |
| 2 | 65240 | Verkleidung | | |
| 3 | 65237 | Verkleidung | | |
| 4 | 65239 | Verkleidung | | |
| 5 | 65236 | Schaltkastenkonsole | | |
| 6 | 8822 | Schraube BL- 3,5X9,5 | Sheet metal screw 3,5x9,5 D Vis 3.5x9.5 | |
| 7 | 65229 | Abluftkanal | | |
| 8 | 29720 | Dämmeinlage Abluft- | Insulating pad, waste air | MOUSSE INSONORISATRICE |
| 9 | | Mutter 6KT- M6 934 ZN | Nut 6KT- M6 934 ZN | ECROU M6 |
| 10 | | Scheibe 6,4X1,6 A 125 ZN | Washer 6,4X1,6 A 125 ZI | RONDELLE |
| 11 | 29681 | Bügel | | |
| 12 | | Scheibe 10,5x2,5 A 9021 ZN | Washer 10,5x2,5 A 9021 z | Rondelle 10,5X2,5 |
| 13 | | Mutter 6KT- M10 934 ZN | Nut 6KT- M10 934 ZN | ECROU FREIN M 10 |
| 14 | 46361 | Lenkrolle | GUIDE ROLLER | ROULETTE AVANT DX |
| 15 | | Scheibe 8,4x1,6 A 125 ZN | WASHER | RONDELLE PAR 10 |
| 16 | | Schraube M8 x20 DIN 933 | Screw M8 x 20 DIN 933 | Vis 6 pans M8x20 DIN 933 |
| 17 | | MUT 6KT- M8 934 ZN | Nut 6KT- M8 934 ZN | ECROU M8 PAR 10 |
| ◇ | 18 | 6250 Klebeband MEWA | ADHESIVE TAPE | BANDE ADHESIVE |
| | 19 | 63887 Dämmeinlage | Insulating pad Ring D200/130x50 | |
| ◇ | ACHTUNG! - Meterware - Bitte bei Bestellung gewünschte Länge angeben! | | | |
| ◇ | ATTENTION! - Lengths in metres - Please indicate required length when ordering! | | | |
| ◇ | ATTENTION! - Longueurs par mètre - Préciser la longueur à la commande! | | | |



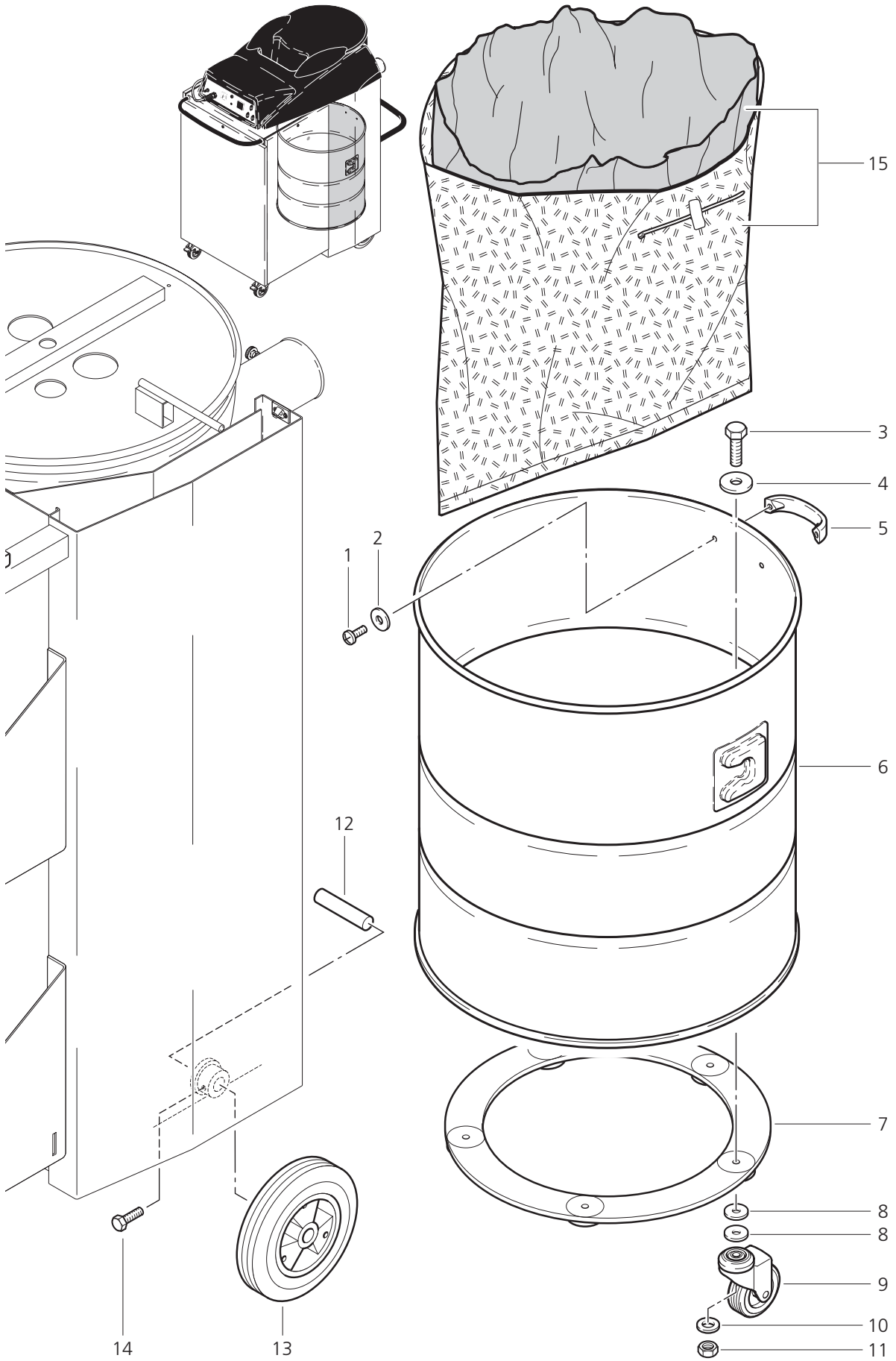
| POS. | NO. | BEZEICHNUNG | DESCRIPTION | DESIGNATION |
|------|---|----------------------------------|--|--|
| ◇ | 1 | 29712 | Saugschlauch 63 Mewa | Suction hose 63 Mewa |
| | 2 | 14030 | Schlauchschelle 50-70 | HOSE CLIP RACCORD (TURBO D2) |
| | 3 | 63895 | Rückschlagklappe kpl. | |
| * | 4 | 63889 | Seitenkanalverdichter 4kW 400V 50/60Hz 400V, 50Hz | |
| * | | 65458 | Seitenkanalverdichter 4,8/460- 480V 60Hz 480V, 60Hz *CA* | |
| * | | 302000157 | Seitenkanalverdichter 4/4,8kW 200/350V 50/60 208V, 60Hz *US* | |
| | 5 | | Schraube M8 X 30 DIN 933 | screw M8 X 30 DIN 933 St-Zn Vis 6 pans M8x30 DIN 933 |
| | 6 | | Scheibe 8,4x2,0 A 9021 ZN | WASHER Rondelle |
| | 7 | 63960 | Hülse ø12x12,5 ø9 | |
| | 8 | 20714 | Doppelnippel 2"x60 | Double nipple 2"x60 Z |
| | 9 | | Mutter 6KT- M8 934 ZN | Nut 6KT- M8 934 ZN ECROU M8 PAR 10 |
| | 10 | 15884 | Kabelband Dynamics 840, 840 M/B1 | CABLE STRAP |
| | 11 | 302002666 | Gasket Ø125x93x1 | |
| | 12 | 302002665 | Screen tube Ø64x130 | |
| | 13 | 302002664 | Damping foam 270x135x30 | |
| | * | Dynamics 440, 440 M/B1 = 1 Stück | | |
| | * | Dynamics 840, 840 M/B1 = 2 Stück | | |
| ◇ | ACHTUNG! - Meterware - Bitte bei Bestellung gewünschte Länge angeben! | | | |
| ◇ | ATTENTION! - Lengths in metres - Please indicate required length when ordering! | | | |
| ◇ | ATTENTION! - Longueurs par mètre - Préciser la longueur à la commande! | | | |



| POS. | NO. | BEZEICHNUNG | DESCRIPTION | DESIGNATION |
|------|-------|----------------------------|-------------------------|----------------------------------|
| 1 | | Schraube M6 X 20 DIN 933 | screw M6 X 20 | DIN 933 VIS PAR 10 |
| 2 | 29687 | Hebegelenknabe | | |
| 3 | 29688 | Buchse | Sleeve | |
| 4 | 29692 | Bügel | Bracket | |
| 5 | 29690 | Lasche | | |
| 6 | 29693 | Scheibe | | |
| 7 | 31352 | Senkschraube M6x10 DIN 966 | Countersunk screw M6x10 | Vis à tête fraisée M6x10 DIN 966 |
| 8 | 24191 | Scheibe 17 X3,0 B 125 ZN | Washer 17 X3,0 B 125 ZN | Rondelle |
| 9 | 11710 | Klemmring | CLAMPING RING | ATTACHE RAPIDE PAR 5 |
| 10 | 29691 | Lasche | | |
| 11 | 45878 | Rolle | | |
| 12 | 29715 | Klammer | | |
| 13 | 45884 | Anschlagkappe | Stop cap | Capuchon |
| 14 | 29689 | Lasche | | |

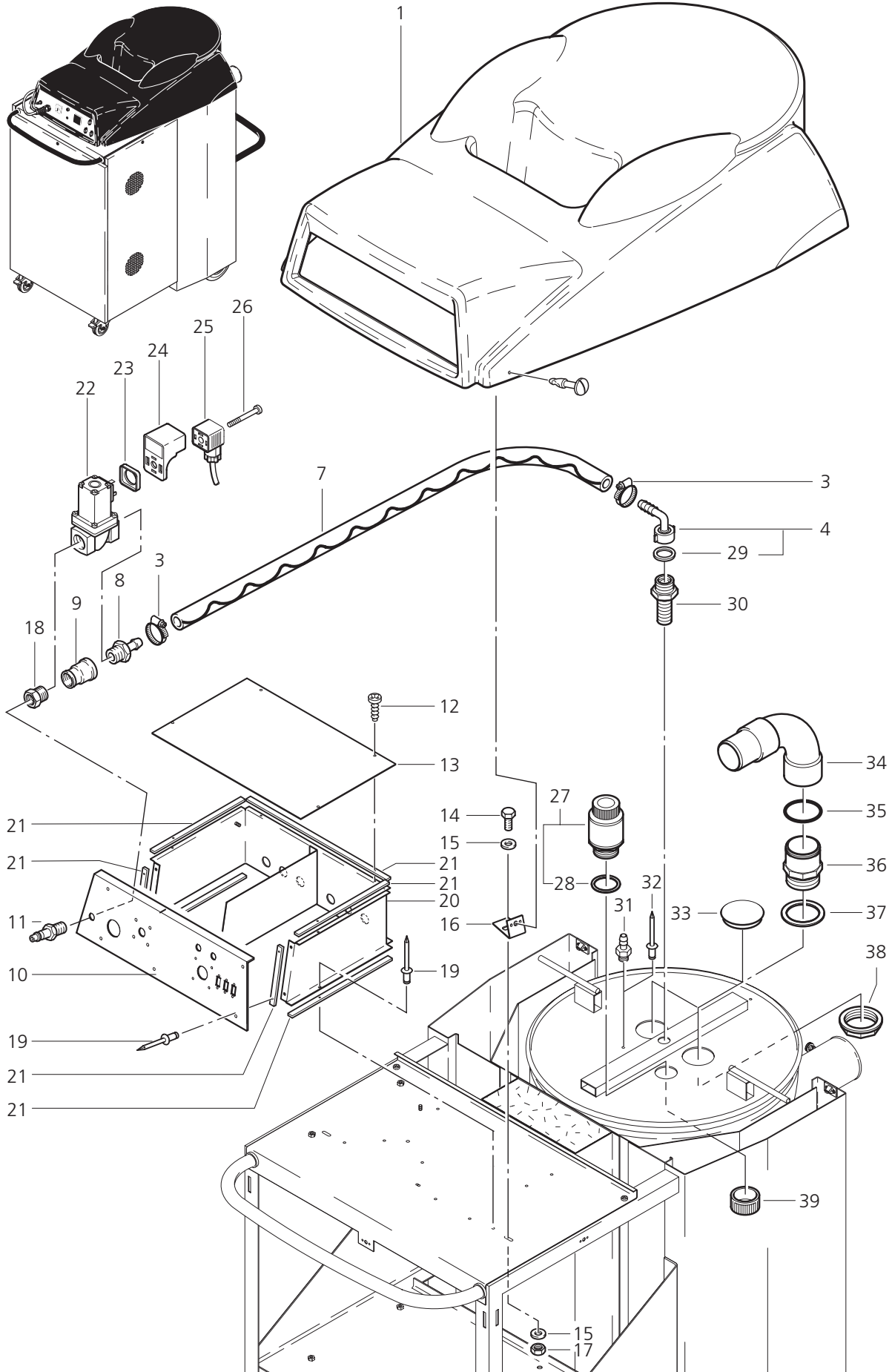


| POS. | NO. | BEZEICHNUNG | DESCRIPTION | DESIGNATION |
|------|---|--|-----------------------------|---|
| 1 | 65837 | Filterträgerscheibe | | |
| 3 | 29685 | Abreinigung kpl. | Cleaning system, complete | DECOLMATEUR |
| 4 | 9934 | Wälzlager 6205-2Z DIN625 | Anti-friction bearing 6205- | ROULEMENT |
| 6 | 16848 | Sicherungsring DIN 471 25x1,2 | CIRCLIP WAS 16937 | CIRCLIPS D25 X 1,2 |
| ◇ | 8 | 65848 | Dichtungsprofil MEWA | |
| 9 | 34931 | Filterpatrone | Absolute filter cartridge | FILTRE 3003/DYNAMICS |
| 10 | 65840 | Handrad M10 | | |
| 11 | 29683 | Zwischenring | | |
| 12 | 29722 | Dichtring | Packing ring | |
| 13 | 34944 | Rastbolzen D 5 | Bolt | Boulon |
| 14 | | Scheibe 8,4x1,6 A 125 ZN | WASHER | RONDELLE PAR 10 |
| 15 | | Mutter 6KT- M8 934 ZN | Nut 6KT- M8 934 ZN | ECROU M8 PAR 10 |
| 16 | | Schraube M8 x 20 DIN 933 | screw M8 x 20 DIN 933 | Vis 6 pans M8x20 DIN 933 |
| 17 | | Schraube M8 X 40 DIN 933 | screw M8 X 40 DIN 933 | Vis 6 pans M8x40 DIN 933 |
| 18 | 62949 | Scheibe 25x60x1,5 | | |
| 19 | 11254 | Schraube EJOT- KA35x10 | screw EJOT- KA35x10 | WH VIS INOX PT 35x10 PAR 10 |
| 20 | 65842 | Dichtung ø30xø18x8 | | |
| 21 | 65841 | Andrückring ø40x22 | | |
| 22 | 302000197 | Seil ø2 x 450 Dynamics 440 M/B1, 840 M/B1 | | |
| 23 | 65839 | Spannbandverschluss | | |
| 24 | 23163 | Schraube ZYL- M5X 25 DIN 912 | | |
| 25 | 65838 | Lasche | | |
| ◇ | 26 | 1423 | Kantenschutz | Edge protection Lisierte de Protektion |
| ◇ | ACHTUNG! - Meterware - Bitte bei Bestellung gewünschte Länge angeben! | | | |
| ◇ | ATTENTION! - Lengths in metres - Please indicate required length when ordering! | | | |
| ◇ | ATTENTION! - Longueurs par mètre - Préciser la longueur à la commande! | | | |

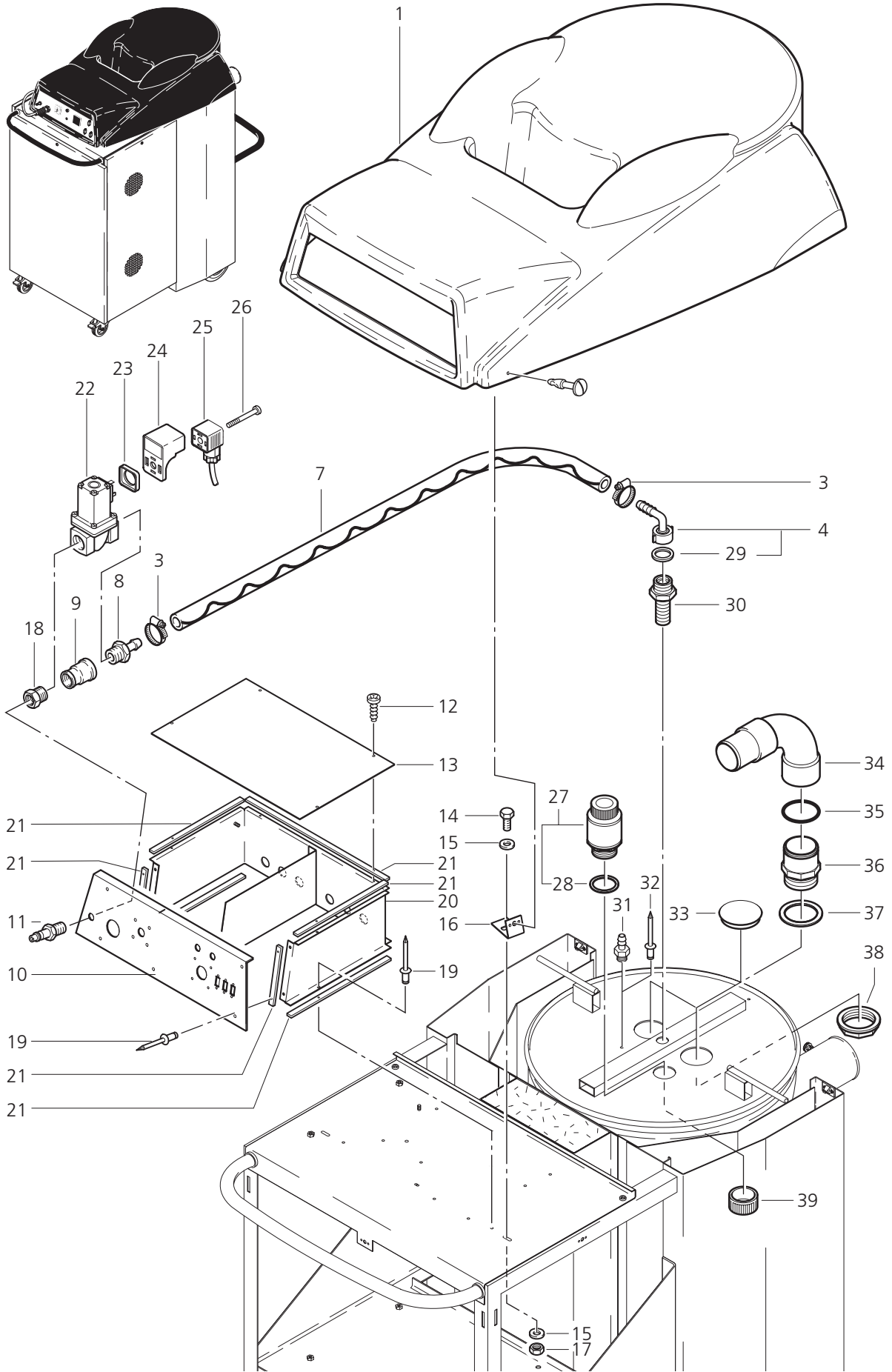


| POS. | NO. | BEZEICHNUNG | DESCRIPTION | DESIGNATION |
|------|-------|---|---------------------------|-------------------------------|
| 1 | 14664 | Schraube Li- M6 x12 H7985 A2 | Lens head counters. screw | Vis tete plate M6x12 DIN 7985 |
| 2 | | Scheibe 6,4x1,6 A 9021 VA | Washer 6,4x1,6 A 9021 V | Rondelle A6,4 DIN 9021 A2 |
| 3 | | Schraube M8 X 30 DIN 933 | screw M8 X 30 DIN 933 | Vis 6 pans M8x30 DIN 933 |
| 4 | | Scheibe 8,4X2,0 A 9021 VA | Washer 8,4X2,0 A 9021 v | Rondelle A8,4 DIN 9021 A2 |
| 5 | 14663 | Bügelgriff M6 | Bow-type handle M6 Turbo- | Arceau |
| 6 | 29684 | Behälter | Container | |
| 7 | 40241 | Ring | Ring | Entretoise |
| 8 | | Scheibe 10,5x2,5 A 9021 ZN | Washer 10,5x2,5 A 9021 Z | Rondelle 10,5X2,5 |
| 9 | 29714 | Lenkrolle | GUIDE ROLLER | |
| 10 | | Scheibe B8,4 DIN 125 | Washer B8,4 DIN 125 | Rondelle B8,4 DIN 125 |
| 11 | | Mutter 6KT- M8 934 VA | Nut 6KT- M8 934 VA | Ecrou 6 pans M8 DIN 934 |
| 12 | 29711 | Achse | | |
| 13 | 11694 | Rad | Wheel | Roue |
| 14 | | Schraube M6 X 20 DIN 933 | Screw M6 X 20 DIN 933 | VIS PAR 10 |
| 15 | 29727 | Sicherheits-Entsorg.Sack Dynamics 440 M/B1, 840 M/B1 | BAG FOR DYNAMICS | SAC D'EVACUATION |

Dynamics
440
840
440MB1
840MB1

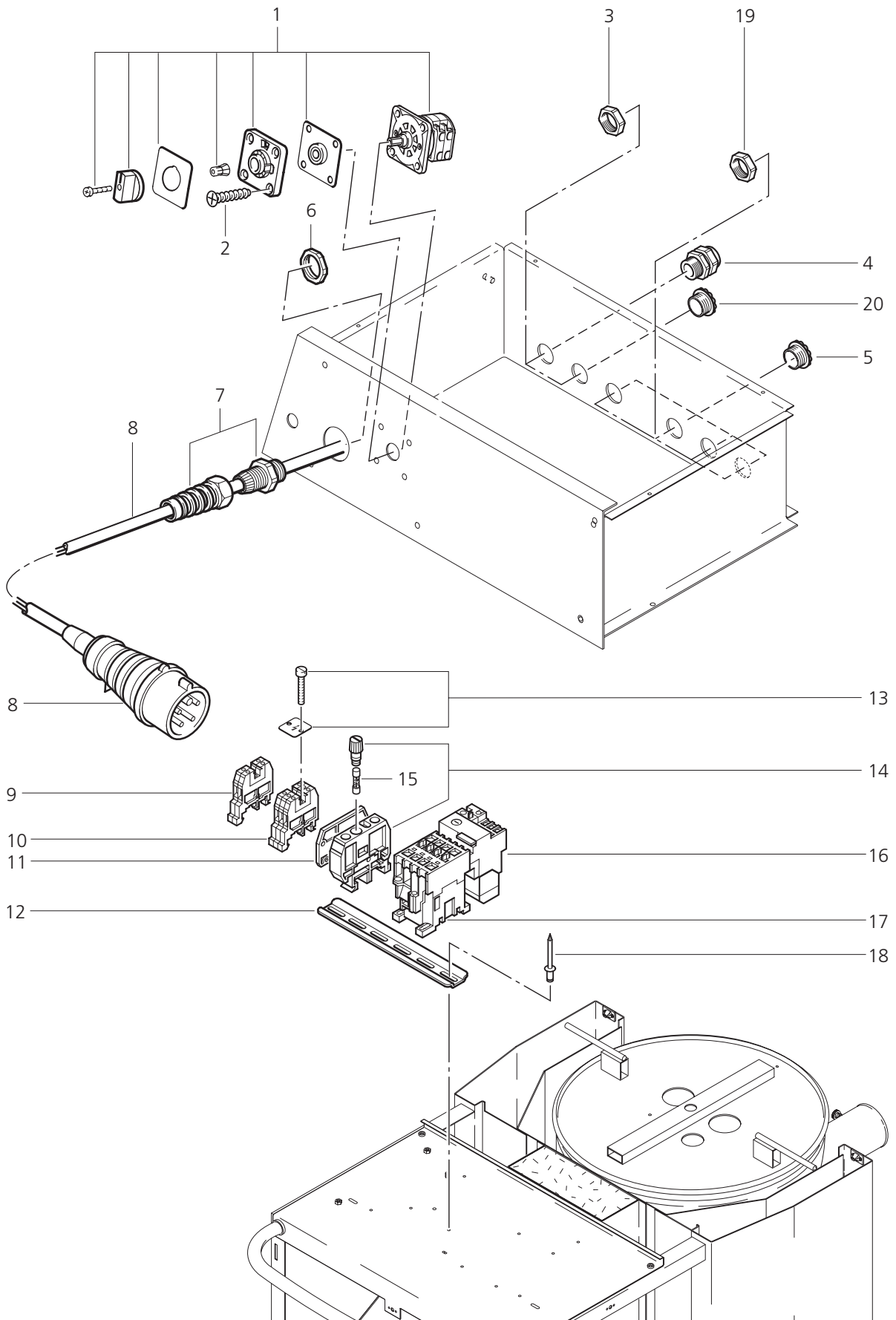


| POS. | NO. | BEZEICHNUNG | DESCRIPTION | DESIGNATION |
|------|---|--|---|--------------------|
| 1 | 29699 | Haube | | |
| 3 | 3211 | Schlauchschelle D20x9 | Hose clip S20/9 | Collier S20/9 |
| 4 | 5613 | Schlauchtülle DN13 | HOSE LINER | TUYAU COUDE |
| ◇ | 7 | Schlauch DN 13 MEWA | Hose | TUYAU FLEX 1/2'' |
| 8 | 43928 | Schlauchtülle | Hose liner | Embout |
| 9 | 22591 | Muffe Dynamics 440,840 | Socket | Manchon |
| 10 | 65234 | Schaltkastenfront Dynamics 840, 440 M/B1, 840 M/B1 | | |
| | 65235 | Schaltkastenfront Dynamics 440 | | |
| 11 | 14809 | Kupplungsstecker G1/4'' | AIR SOCKET-MALE | Raccord |
| 12 | 8822 | Schraube BL- 3,5X9,5 | Sheet metal screw 3,5x9,5 D Vis 3.5x9.5 | |
| 13 | 29679 | Deckel | | |
| 14 | | Schraube 6KT- M5X 10 DIN 933 | | |
| 15 | | Scheibe 5,3X1,0 A 125 | Washer 5,3X1,0 A 125 | RONDELLE PAR 20 |
| 16 | 29710 | Lasche | | |
| 17 | | Mutter 6kt- M5 934 ZN | Nut 6kt- M5 934 ZN | ECROU M5 |
| 18 | 54758 | Reduzier-Stück 3/8" -1/4" | | |
| 19 | 14714 | Niet A3,2x10x6,5 | Rivet A3,2x10x6,5 | Rivet |
| 20 | 29678 | Gehäuse | | |
| ◇ | 21 | Klebeband MEWA | ADHESIVE TAPE | BANDE ADHESIVE |
| | 22 | Magnetventil DN13, 400V/50Hz Dynamics 440M/B1, 840M/B1 *DE* | Magnetic valve DN13, 400V/ | ELECTROVANNE |
| | 65459 | Magnetventil DN13 24VAC 50-60Hz Dynamics 440 M/B1, 840 M/B1 *CA*US* | | |
| 23 | 17767 | Dichtung für Magnetventil Dynamics 440 M/B1, 840 M/B1 | Gasket for solenoid valve | JOINT ELECTROVANNE |
| 24 | 60648 | Entstörglied RC 400V Dynamics 440 M/B1, 840 M/B1 *DE* | RC snubber 400V | ANTIPARASITE |
| | 65721 | Entstörglied RC 24V Dynamics 440 M/B1, 840 M/B1 *CA*US* | | |
| 25 | 46877 | Stecker für Magnetventil Dynamics 440 M/B1, 840 M/B1 | Coupler | Fiche |
| 26 | 17768 | Schraube Li- M3 x25 Dynamics 440 M/B1, 840 M/B1 | SCREW was 15432 | VIS M3x25 PAR 10 |
| ◇ | ACHTUNG! - Meterware - Bitte bei Bestellung gewünschte Länge angeben! | | | |
| ◇ | ATTENTION! - Lengths in metres - Please indicate required length when ordering! | | | |
| ◇ | ATTENTION! - Longueurs par mètre - Préciser la longueur à la commande! | | | |

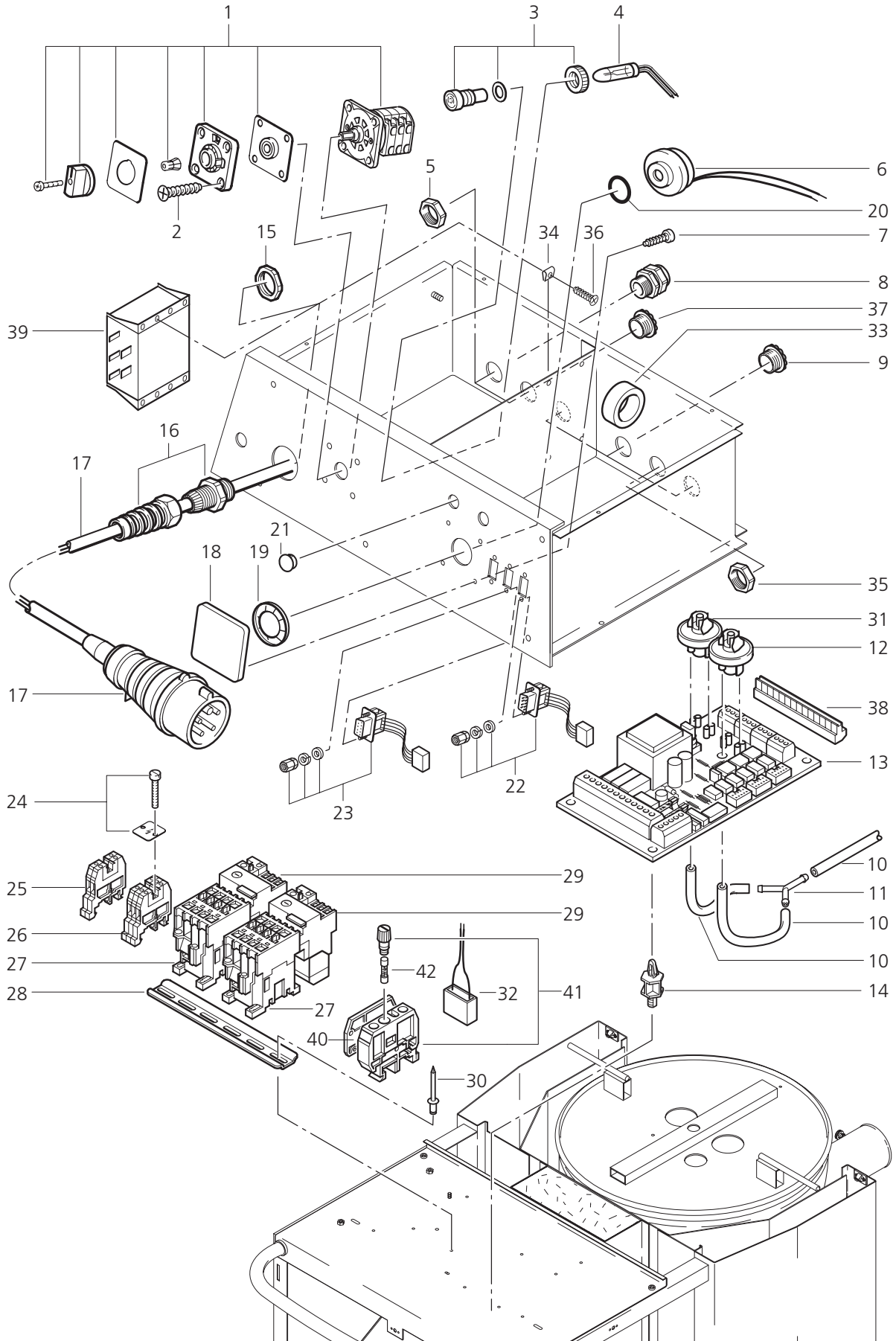


| POS. | NO. | BEZEICHNUNG | DESCRIPTION | DESIGNATION |
|------|-------|---|----------------------------|-------------------------|
| 27 | 29694 | Ventil Vakuumbegrenzungs- 230mbar G1 1/4 | | |
| 28 | 60901 | Dichtung D42x 58x3 | Gasket D42x 58x3 | |
| 29 | 46487 | Dichtring | Packing ring 21X29X2,5 | GUM |
| 30 | 65843 | Hohlschraube G1/2 "-G3/4"x75 SW30 | Ms | |
| 31 | 65849 | Schlauchtülle gerade ø3xM5 Dynamics 440 M/B1, 840 M/B1 | | |
| 32 | 11691 | Niet DIN 7337 A 4,0x10 x 8 Dynamics 440, 840 | Al Rivet 4,0x10x8 DIN 7337 | Rivet 4,0x10x8 DIN 7337 |
| 33 | 65850 | Kappe | | |
| 34 | 65845 | Bogen 90° | | |
| 35 | 46729 | O-Ring 56,87x1,78 | O-Ring | 56,87x1,78 NBR70 |
| 36 | 65846 | Nippel G2"x62,8 | | |
| 37 | 65851 | Dichtring ø61/79x4 | | |
| 38 | 65847 | Mutter 8kt- 2" | | |
| 39 | 61739 | Gegenmutter 1.1/4" | | |

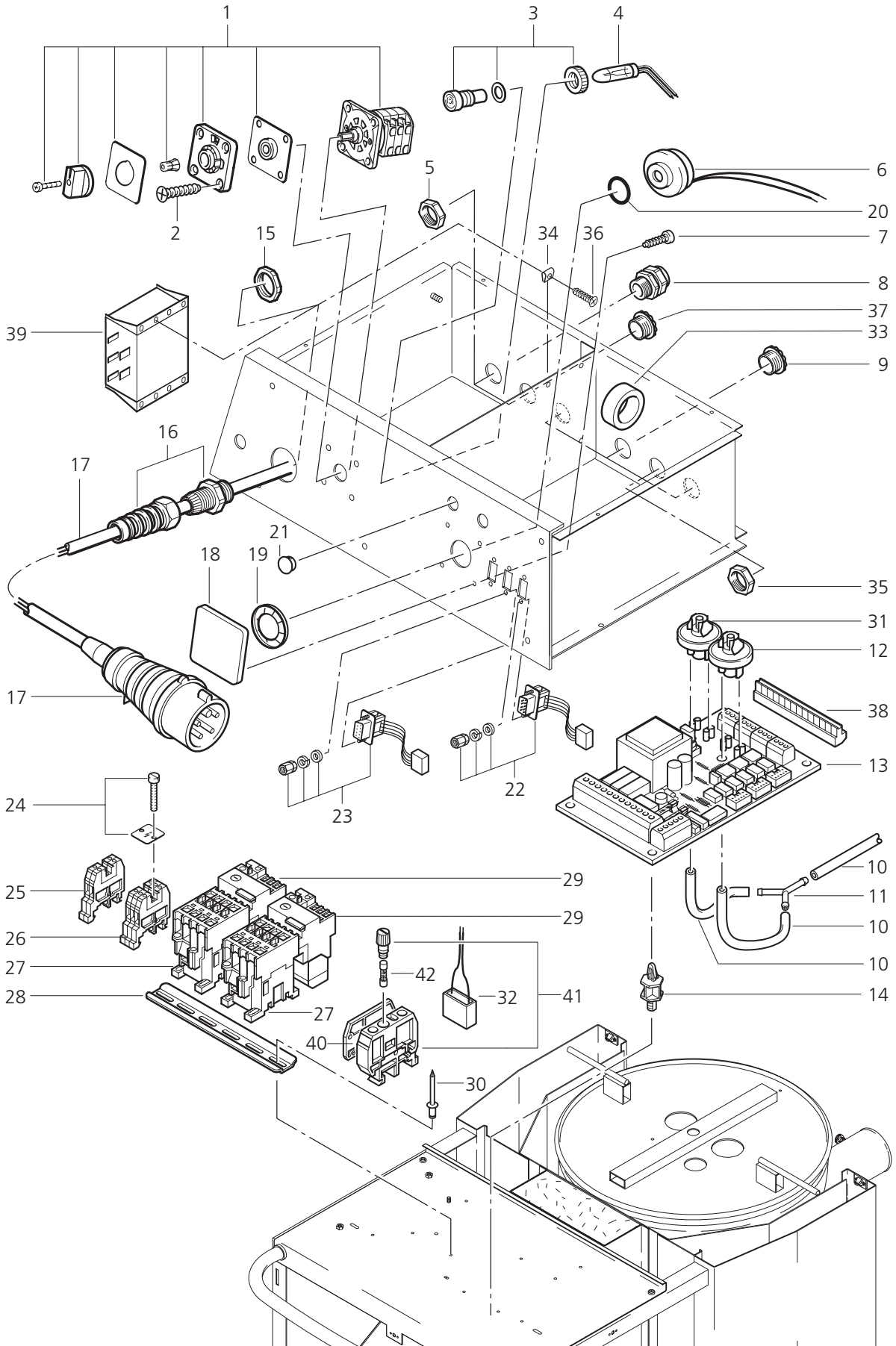
Dynamics
440
840
440M/B1
840M/B1



| POS. | NO. | BEZEICHNUNG | DESCRIPTION | DESIGNATION |
|------|---|---|--|-----------------------------------|
| 1 | 15779 | Nockenschalter | MAIN SWITCH | INTERRUPTEUR EC 850 |
| 2 | 11253 | Schraube EJOT- KA50x20 | screw EJOT- KA50x20 | WN VIS INOX PT50x20 PAR 10 |
| 3 | 909100020 | Mutter 6kt M25x1,5 | | |
| 4 | 64903 | Kabelverschraubung M25x1,5 | | |
| 5 | 909100022 | Würgenippel M16x1,5 geschlossen | | |
| 6 | 909100021 | Mutter 6kt M32x1,5 | | |
| 7 | 909100016 | Kabelverschraubung M32x1,5 m. Knickschutz | | |
| 8 | 14917 | Netzleitung H07RN-F 4G1,5x 5,0 C Cable H07RN-F 4G1,5x 5,0 | | Câble électrique 4G1,5x 5,0 |
| | | *DE* | | |
| | 27068 | Netzleitung 4G2,5x 5,0 | Power cable 4G2,5x 5,0 | Câble électrique 4G2,5x 5,0 |
| | | *JP* | | |
| 9 | 5040 | Reihenklemme GR-GE 4qmm | Electrical terminal 4mm ² | BORNE DE TERRE |
| 10 | 5037 | Reihenklemme-grau 4qmm | Electrical terminal 4mm ² | BORNIER DE CABLAGE |
| 11 | 5039 | Abschlussplatte für S-Kl. | End plate for S-KI | Disque |
| ◇ | 12 | 22290 | Gerätetragschiene | Appliance mounting rail T:Support |
| 13 | 5115 | Klemmenabdeckung | | |
| 14 | 5038 | Klemme SI- SAKS 1 | Terminal block | SUPPORT FUSIBLE |
| 15 | 5509 | Feinsicherung T 6,3A | FINE SIRE FUSE | FUSIBLE 6,3A PAR 10 |
| 16 | 63877 | Motorschutzrelais 12-32 A | OVERCURRENT RELAY | |
| | | *JP* | | |
| | 63917 | Motorschutzrelais 3,7-12A | OVERCURRENT RELAY | |
| | | *DE* | | |
| 17 | 63902 | Schütz 400V/50-60Hz 5,5k | Contacteur 100-C12KN10 400V/50-60Hz 5, | |
| | | *DE* | | |
| | 63909 | Schütz 200V/50-60Hz 7,5k | Contacteur 100-C23KG10 200V/50-60Hz 7, | |
| | | *JP* | | |
| 18 | 15792 | Niet A4,8x16x15 | RIVET | RIVET |
| 19 | 909100018 | Mutter 6kt M16x1,5 | | |
| 20 | 909100024 | Würgenippel M25x1,5 | | |
| ◇ | ACHTUNG! - Meterware - Bitte bei Bestellung gewünschte Länge angeben! | | | |
| ◇ | ATTENTION! - Lengths in metres - Please indicate required length when ordering! | | | |
| ◇ | ATTENTION! - Longueurs par mètre - Préciser la longueur à la commande! | | | |



| POS. | NO. | BEZEICHNUNG | DESCRIPTION | DESIGNATION |
|------|---|--|--------------------------------------|-------------------------------|
| 1 | 28510 | Schalter 20 A | SWITCH | |
| 2 | 11253 | Schraube EJOT- KA50x20 | screw EJOT- KA50x20 | WN VIS INOX PT50x20 PAR 10 |
| 3 | 47678 | Fassung rot | Socket red | VOYANT ROUGE SERIE DX |
| 4 | 54613 | Signalleuchte,24 V | Signal lamp 24V | Témoins lumineux 24V |
| 5 | 909100020 | Mutter 6kt M25x1,5 | | |
| 6 | 48309 | Piezo-Piepser | Piezzo buzzer | CONTACT SONNERIE |
| 7 | 8822 | Schraube BL- 3,5x9,5 | Sheet metal screw 3,5x9,5 | D Vis 3.5x9.5 |
| 8 | 64903 | Kabelverschraubung M25x1,5 | | |
| 9 | 64901 | Kabelverschraubung M16x1,5 | | |
| | 909100022 | Würgenippel M16x1,5 geschlossen | | |
| ◇ | 10 | 11379 Schlauch DN 3 x1,5 MEWA | Hose | TUYAU |
| | 11 | 15125 Schlauchtülle Y DN 3 POM Dynamics 840, 840 M/B1 | Hose liner DN3 | Embout DN3 |
| | 12 | 41243 Unterdrucktaster 15000 PA | Switch 15000 PA | Interrupteur 15000 PA |
| | 13 | 28534 Elektronik Steuerung 400 V 65720 Elektronik Steuerung 230 V | Electronic controller 400 V | PLATINE DYNAMICS 840 |
| | 14 | 31663 Printplattenhalter | Support | Support |
| | 15 | 909100021 Mutter 6kt M32x1,5 | | |
| | 16 | 909100016 Kabelverschraubung M32x1,5 m. Knickschutz | | |
| | 17 | 14917 Netzleitung H07RN-F 4G1,5x 5,0 *DE* | Cable H07RN-F 4G1,5x 5,0 | Câble électrique 4G1,5x 5,0 |
| | | 57713 Netzleitung 4xAWG14x 7,0 *CA* -ohne Stecker- | Power cable 4xAWG14x 7,0 | Câble électrique 4xAWG14x 7,0 |
| | | 301000091 Netzleitung SOW 4AWG8 x 6,5m ohne Stecker *US* -ohne Stecker- | | |
| | 18 | 48301 Abdeckung | Covering | Couvercle |
| | 19 | 11267 Klemmring D24 | CLAMPING RING | CLIP D24 PAR 2 |
| | 20 | 4456 O-Ring 22,0x2,0 | | |
| | 21 | 5423 Stopfen D14 | Plug | CAPUCHON |
| | 22 | 28533 Daten-Ltg 300mm 9-pol | Data cable 300mm 9-pol | |
| | 23 | 28532 Daten Ltg 300mm 9-pol | Data cable 300mm 9-pol | |
| | 24 | 5115 Klemmenabdeckung M4/6 +2 Schr. | | |
| | 25 | 5040 Reihenklemme GR-GE 4qmm | Electrical terminal 4mm ² | BORNE DE TERRE |
| | 26 | 5037 Reihenklemme grau 4qmm | Electrical terminal 4mm ² | BORNIER DE CABLAGE |
| ◇ | ACHTUNG! - Meterware - Bitte bei Bestellung gewünschte Länge angeben! | | | |
| ◇ | ATTENTION! - Lengths in metres - Please indicate required length when ordering! | | | |
| ◇ | ATTENTION! - Longueurs par mètre - Préciser la longueur à la commande! | | | |



| POS. | NO. | BEZEICHNUNG | DESCRIPTION | DESIGNATION |
|------|---|---|-------------------------|--------------------------|
| ★ | 27 | 63900 Schütz 24V/50-60Hz 5,5kW *CA* | Contacteur 100-C12KJ10 | 24 CONTACTEUR |
| ★ | | 63902 Schütz 400V/50-60Hz 5,5kW *DE* | Contacteur 100-C12KN10 | 400V/50-60Hz 5, |
| ★ | | 63907 Schütz 24V/50-60Hz 7,5kW *US* | Contacteur 24V/50-60Hz | 7,5kW |
| ◇ | 28 | 22290 Gerätetragschiene | Appliance mounting rail | TS Support |
| ★ | 29 | 63877 Motorschutzrelais 12-32 A | OVERCURRENT RELAY | |
| ★ | | 63917 Motorschutzrelais 3,7-12A | OVERCURRENT RELAY | |
| | 30 | 15792 Niet A4,8x16x15 | RIVET | RIVET |
| | 31 | 40399 Unterdrucktaster 17500 PA Dynamics 840, 840 M/B1 | Switch 17500 PA | Interrupteur 17500 PA |
| ★ | 32 | 29748 RC-Entstörglied 24VAC/DC *CA*US* | | |
| ★ | | 60649 RC-Entstörglied RC 400V/15VA *DE* | | |
| | 33 | 61819 Ferritring | Ferrite ring | |
| | 34 | 302000206 Federmutter *CA*US* | | |
| | 35 | 909100018 Mutter 6kt M16x1,5 | | |
| | 36 | 6165 Schraube Bl- 4,2x13 *CA*US* | screw Bl- 4,2x13 | |
| | 37 | 909100024 Würgenippel M25x1,5 geschlossen | | |
| | 38 | 54961 Klemm-Steckleiste 12-pol. *CA*US* | Terminal block 12-pin | Rangée de bornes 12-pol. |
| | 39 | 65722 Steuertrafo 220/480/575V *CA*US* | | |
| | 40 | 5039 Abschlussplatte *CA*US* | End plate for S-KI | Disque |
| | 41 | 5038 Klemme SI- SAKS 1 *CA*US* | Terminal block | SUPPORT FUSIBLE |
| | 42 | 20555 Feinsicherung T 630MA *CA*US* | FINE SIRE FUSE | |
| ★ | Dynamics 440 M/B1 = 1 Stück | | | |
| ★ | Dynamics 840, 840 M/B1 = 2 Stück | | | |
| ◇ | ACHTUNG! - Meterware - Bitte bei Bestellung gewünschte Länge angeben! | | | |
| ◇ | ATTENTION! - Lengths in metres - Please indicate required length when ordering! | | | |
| ◇ | ATTENTION! - Longueurs par mètre - Préciser la longueur à la commande! | | | |

NOTIZEN

