

# GD 930 GD 930S2

---

Model:  
GD 930  
GD 930 S2



Stykliste Dansk

27-05-2011

# Nilfisk

[www.nilfisk.com](http://www.nilfisk.com)

# Indholdsfortegnelse

GD 930 GD 930S2

<b>Fan unit and cord</b>	<b>3</b>
<b>Filters and upper parts</b>	<b>5</b>
<b>Wheel and lower parts</b>	<b>7</b>
<b>Nozzles Ø 32 mm</b>	<b>9</b>
<b>Hose and tubes</b>	<b>11</b>
<b>Power brush UZ 984 line drawing</b>	<b>13</b>
<b>ANBEFALEDE RESERVEDELE</b>	<b>16</b>

# Fan unit and cord

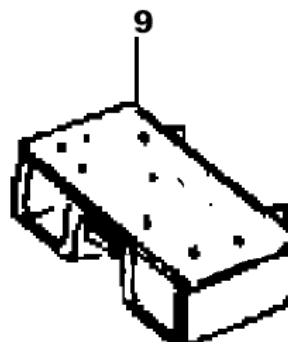
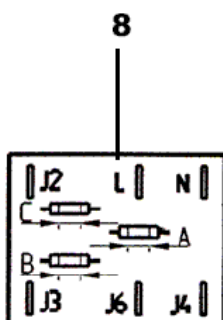
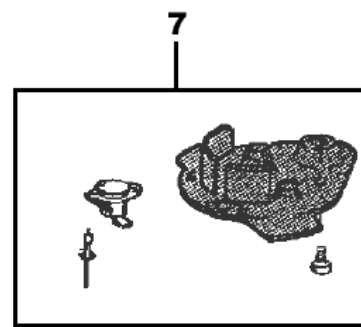
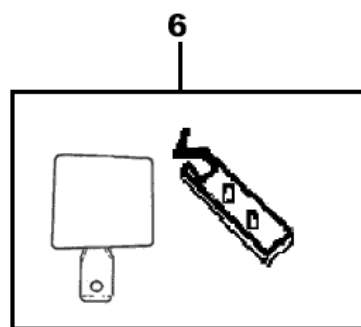
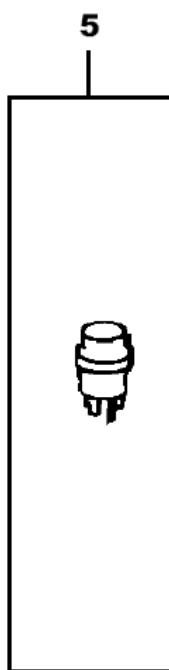
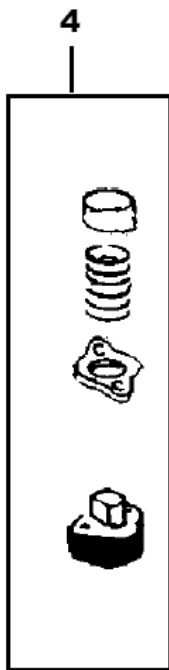
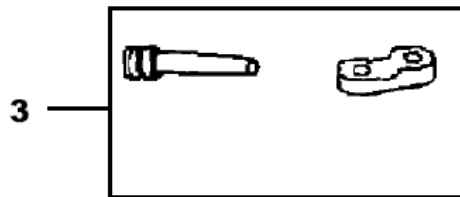
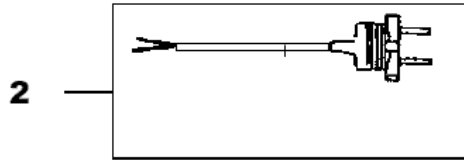
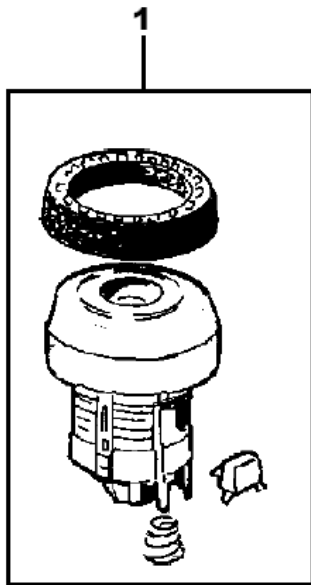
GD 930 GD 930S2

27-05-2011

StyMiste ID

B0333

3



# Fan unit and cord

GD 930 GD 930S2

27-05-2011

StyMiste ID

B0333

4

Pos	Vare nr.	Ant	Beskrivelse	EAN
0	140 7719 000	1	CARBON BRUSH F. 230/240V NOT SHOWN	7319519608
1	140 7902 500	1	SUGEMOTOR GD930S/S2	7319519605
1	140 7902 510	1	FAN UNIT KIT 110-120V	7319519605
1	140 7902 520	1	SUGEMOTOR.UZ934 ERS.011 6000 040	7319519605
1	140 7902 530	1	FAN UNIT KIT DOMEL 100V	7319519605
2	107401390	1	CORD SET CN 15.5M - KIT CN only	7319519677
2	140 6423 500	1	KABEL EU L=15M	7319519631
2	140 6423 510	1	LEDNING UZ934 10M	7319519631
2	140 6423 520	1	CORD KIT CH L 15M PACKED IN A PLASTIC BAG.	7319519631
2	140 6423 530	1	CORD UK L 15M	7319519631
2	140 6423 540	1	CORD UK L 10M	7319519631
2	140 6423 550	1	LEDNING MED STIK, 15 MTR	7319519631
2	140 6423 560	1	CORD US L 10M GROUNDED	7319519631
2	140 6423 570	1	CORD JP L 15M	7319519631
2	140 6423 580	1	CORD AU L 14M	7319519631
2	147 1042 000	1	CORD SET CHINA 15.5M machine outphased 2005	7319519659
3	140 7035 500	1	TYLLE KIT GD930S	7319519631
3	140 7035 510	1	PROTECTION SLEEVE US KIT	7319519631
4	140 7033 500	1	AFBRYDER GD 930S KOMPL.	7319519632
5	140 7023 500	1	BRYTER, 2 HASTIGH.930 S2	7319519632
6	010 9678 500	1	OUTLET ELECTRICAL 230V 930-SERIES	7319519632
6	140 7665 500	1	OUTLET ELECT.15A 250V	7319519632
7	140 7012 500	1	MOTORGAVL GD930 INCL. THERMO SIKRING	7319519632
7	140 7012 510	1	MOTOR PLATE GD 930/S2	7319519632
8	140 7024 500	1	PRINT, ANTI STATISK	7319519632
9	140 7026 500	1	2S CIRCUIT BOARD 220-240V	7319519629
9	140 7026 510	1	2S CIRCUIT BOARD 110-120V KIT	7319519629

# Filters and upper parts

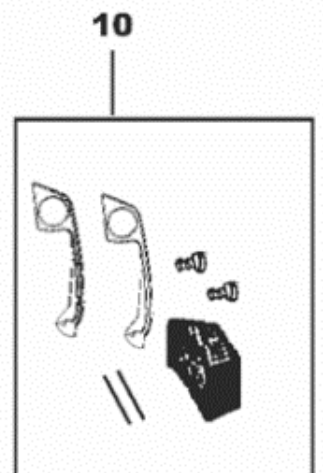
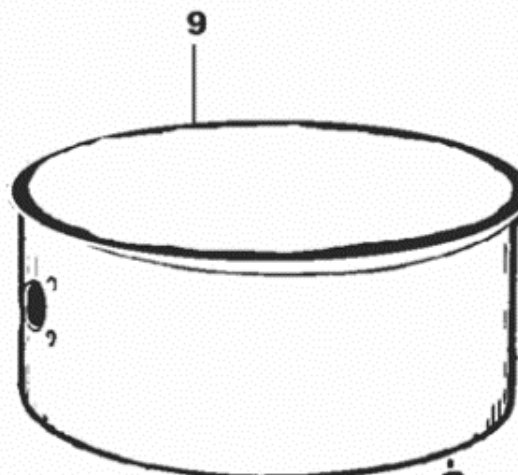
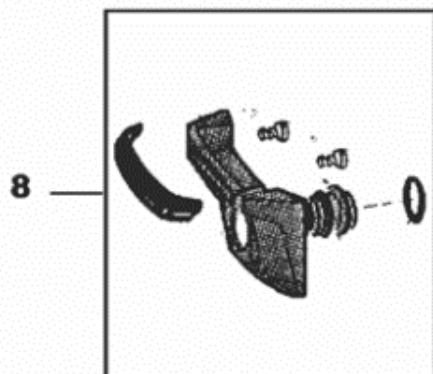
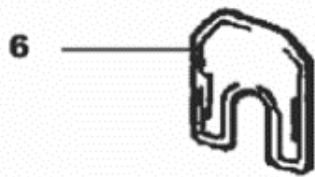
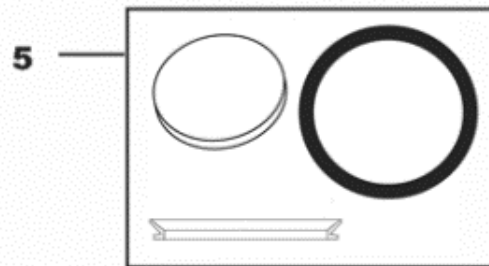
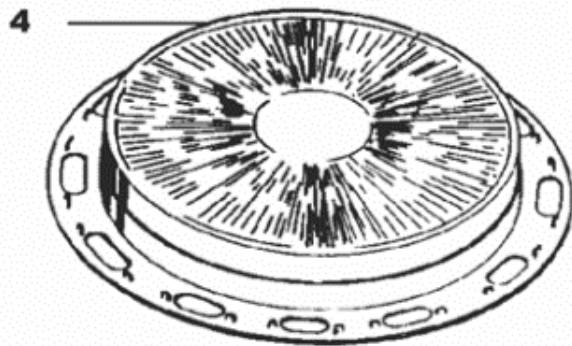
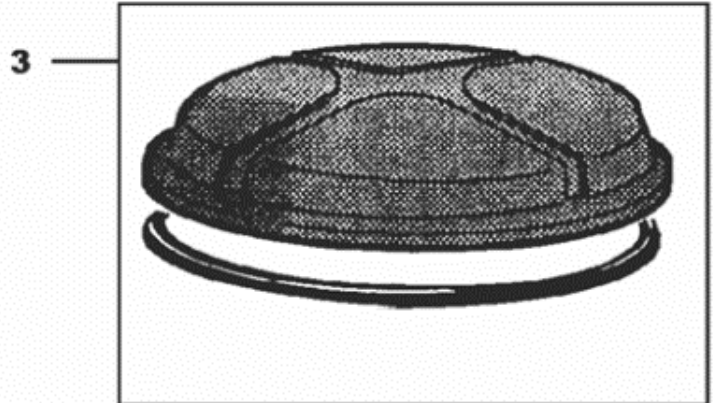
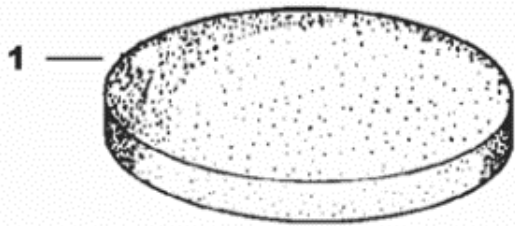
GD 930 GD 930S2

27-05-2011

StyMiste ID

B0335

5



# Filters and upper parts

GD 930 GD 930S2

27-05-2011

StyMiste ID

B0335

6

Pos	Vare nr.	Ant	Beskrivelse	EAN
0	140 7877 000	1	DECAL/STICKER NILFISK GD	7319519603
1	140 1515 500	1	FILTER MAIN FOAM 930 930-SERIES	7319519632
2	140 3260 500	1	FILTER PAPIR GD930 5STK	7319519632
3	140 7801 500	1	LÅG M. FILTER GD930	7319519632
3	140 7801 510	1	LÅG M/HEPA FILTER GD930S	7319519632
3	140 7802 080	1	LID RED	7319519619
4	140 2666 010	1	FILTER, HEPA GD 930S	7319519371
5	140 1535 500	1	FILTER+PAKNINGER GD930	7319519632
6	140 7014 500	1	POSEHOLDER GD930S 3STK	7319519632
7	140 7015 040	1	STØVPOSER GD930 10STK	7319519400
7	140 7019 500	1	STOF POSE, 1 STK. 930-SERIES	7319519632
7	140 7313 020	1	STØVPOSER, HF GD930 10STK	7319519408
8	140 7800 500	1	HÅNDDTAGSKIT GD930	7319519632
9	140 7020 510	1	BEHOLDER GD930	7319519632
10	140 7832 500	1	FJEDER KIT GD930/S2	7319519632
NI	140 7784 000	1	GD 930 PAKKASSE	7319519601

NOTE: Container 140 7020 520 is replaced by container 140 7020 510.

# Wheel and lower parts

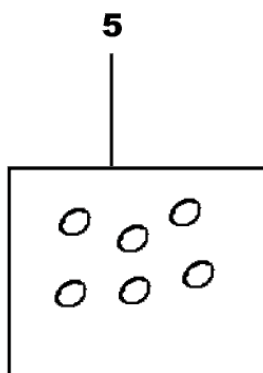
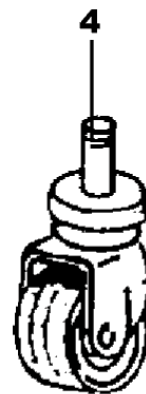
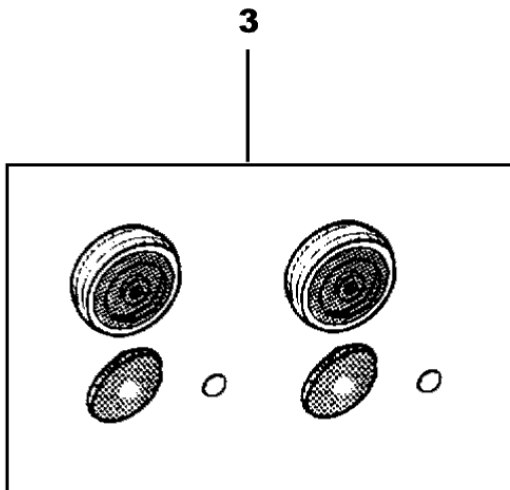
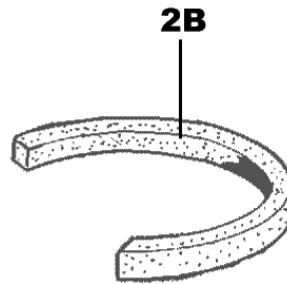
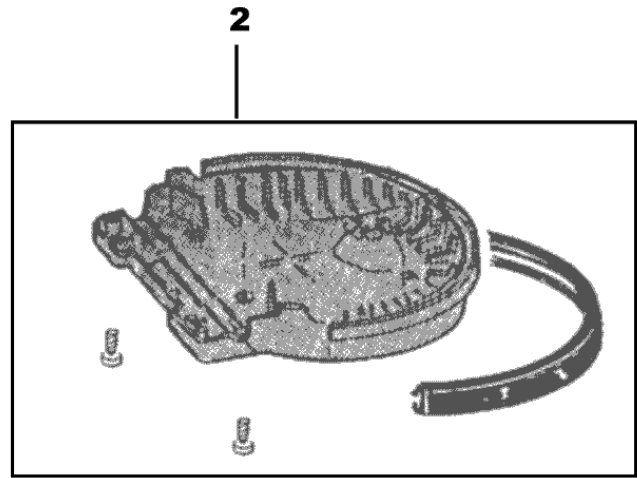
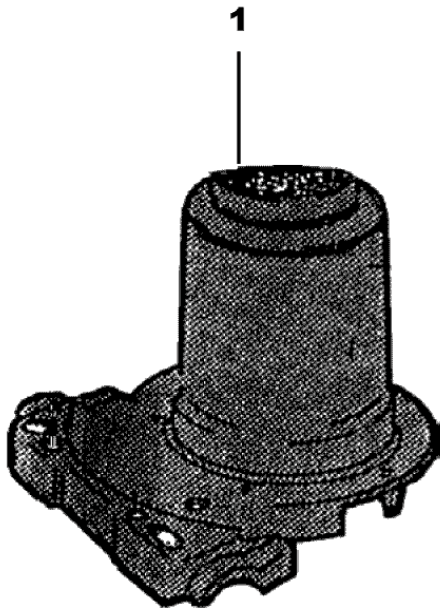
GD 930 GD 930S2

27-05-2011

StyMiste ID

B0337

7



# Wheel and lower parts

GD 930 GD 930S2

27-05-2011

StyMiste ID

B0337

8

Pos	Vare nr.	Ant	Beskrivelse	EAN
1	140 7010 500	1	MOTORHUS GD930S BLACK	7319519632
1	140 7010 510	1	STAND GD 930S2/UZ 930S2 BLACK FOR S2 - TWO SPEED	7319519632
1	140 7010 530	1	STAND GD/UZ 930S BLACK UL UL-APPROVED	7319519632
1	140 7010 540	1	STAND GD/UZ 930S2 BLACK UL-LIS	7319519632
2	140 7011 500	1	UNDERDEL KOMPL GD930S BUND/STØDKANT/LYDDÆMPER	7319519632
2	140 7011 510	1	BASE BUMPER GD930/UZ930/S2	7319519632
3	140 5055 500	2	HJUL BAG KOMPL. GD930S	7319519632
4	140 7025 500	1	HJUL 50 MM GD930S	7319519632
5	140 5058 500	6	LÅSESKIVE GD 930	7319519652
2B	140 7022 500	1	PAKNING GD930	7319519658



# Nozzles Ø 32 mm

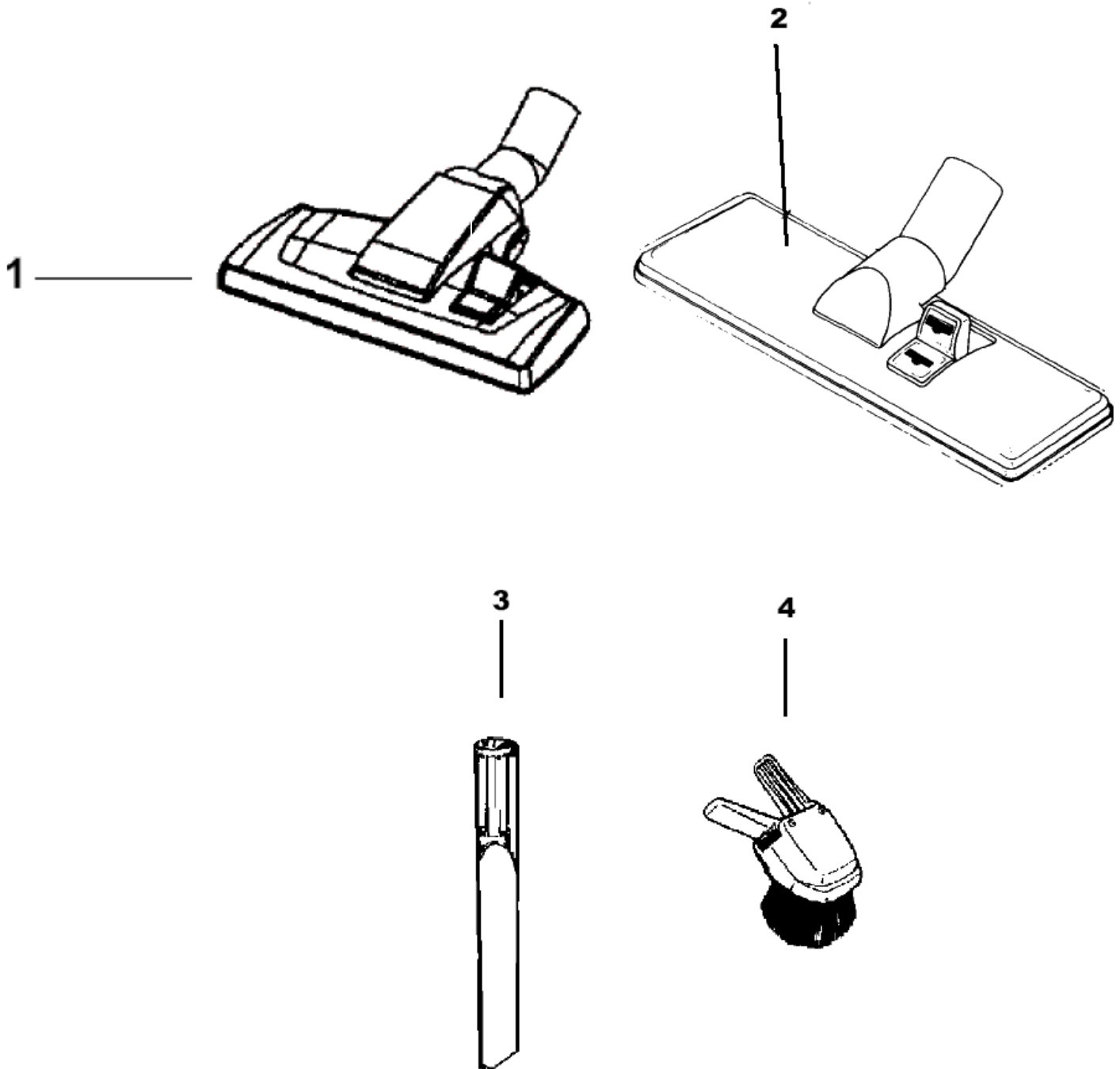
GD 930 GD 930S2

27-05-2011

StyMiste ID

B0339

9



# Nozzles Ø 32 mm

GD 930 GD 930S2

27-05-2011

StyMiste ID

B0339

10

Pos	Vare nr.	Ant	Beskrivelse	EAN
1	140 8492 520	1	MUNDSTYKKE KOMBI	7319519636
2	140 5634 500	1	KOMBIMUNDSTYKKE Ø32	7319519632
3	010 3098 500	1	MUNDSTYKKE, FUGE 32MM	7319519629
4	011 3104 500	1	MUNDSTYKKE, MØBELKOM.	7319519629

# Hose and tubes

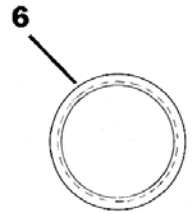
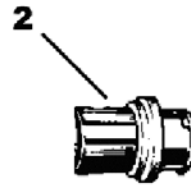
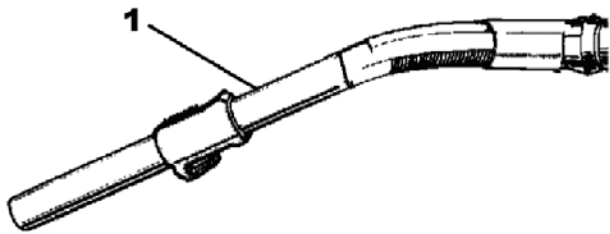
GD 930 GD 930S2

27-05-2011

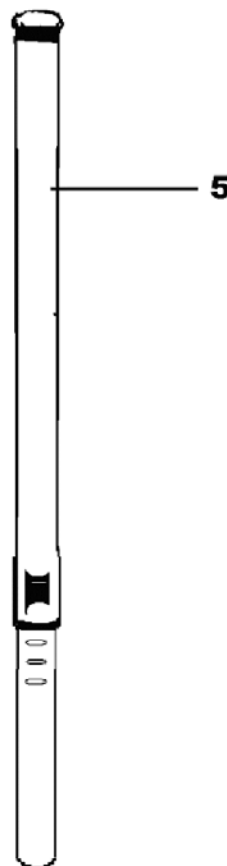
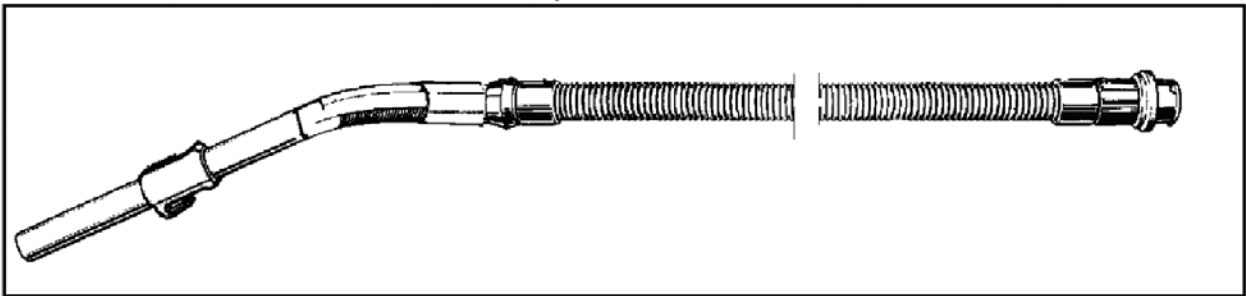
StyMiste ID

B03311

11



3



# Hose and tubes

GD 930 GD 930S2

27-05-2011

StyMiste ID

B03311

12

Pos	Vare nr.	Ant	Beskrivelse	EAN
1	140 5116 500	1	RØR, BUET GD930	7319519632
2	140 3846 500	1	KOBLING 32MM GD930	7319519632
3	140 2782 500	1	SLANGE GD930 KOMPL.	7319519632
4	011 6431 500	1	RØR, 32 MM L500MM ALU	7319519631
5	011 8130 500	1	RØR, TELESKOP 32MM ALU	7319519631
6	010 9299 540	1	PAKNING TIL KOBLING GD930	7319519666

# Power brush UZ 984 line drawing

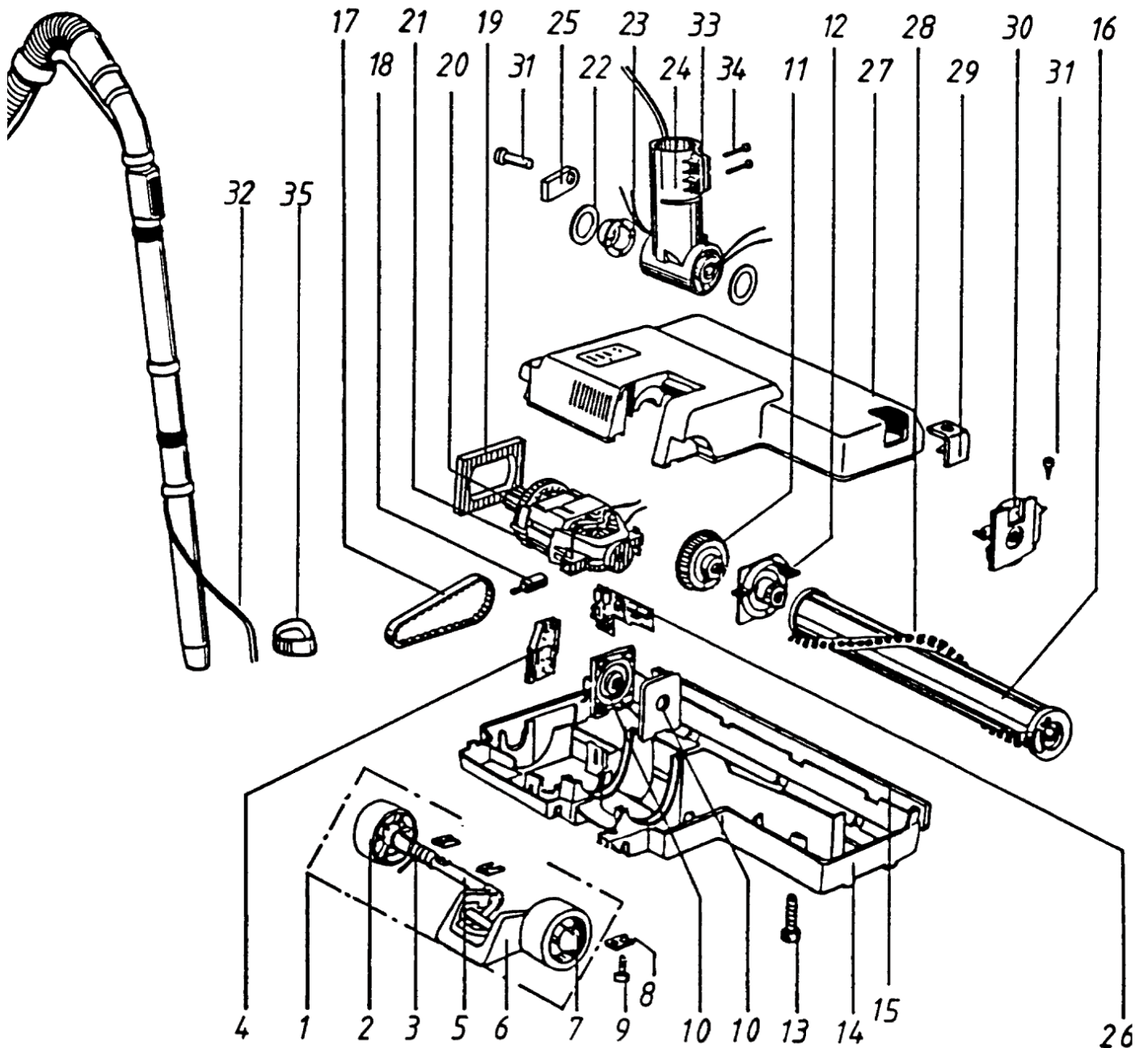
GD 930 GD 930S2

27-05-2011

StyMiste ID

B03133

13



# Power brush UZ 984 line drawing

GD 930 GD 930S2

27-05-2011

StyMiste ID

B03133

14

Pos	Vare nr.	Ant	Beskrivelse	EAN
0	909 1220 010	1	MOTORMUNDSTYKKE 220V/50HZ	5715492045
0	909 1221 010	1	UZ 984 240V/50 HZ	
0	909 1222 010	1	UZ 984 110V/60 HZ	
1	093 1751 000	1	AXEL	7319519355
2	093 1750 000	2	HJUL Machine outphased 1998	7319519355
3	093 1752 000	1	FJÄDER DRAG Machine outphased 1998	7319519355
4	142 0882 000	1	LAGERPLATTA	7319519433
5	093 1754 000	1	AXEL	7319519355
6	093 1755 000	1	PEDAL	7319519355
7	093 1757 000	2	BRICKA LÅS Machine outphased 1998	7319519355
8	093 1759 000	3	SKIVE, UZ 984 Machine outphased 1998	7319519355
9	093 1760 000	5	SKRUE 3.9*13 FZ Machine outphased 1998	
10	142 0883 000	2	LAGER KPL.	7319519433
11	142 0559 000	1	DRIVHJUL	
12	093 1763 000	1	GLIDLAGER Machine outphased 1998	7319519355
13	093 1764 000	4	SCREW MRX M5X25	5715492057
14	093 1765 000	1	KÅPA	
15	142 0885 000	1	STÖTSKYDD	7319519433
16	093 1769 000	1	BORST VALS Machine outphased 1998	7319519355
17	093 1781 000	1	DRIVREM GD984 Machine outphased 1998	
18	093 1783 000	2	KUL	7319519356
19	093 1782 000	1	MOTORPACKNING Machine outphased 1998	7319519356
19	093 1782 000	1	MOTORPACKNING Machine outphased 1998	7319519356
20	093 1780 000	1	KUGGHJUL Machine outphased 1998	7319519356
21	093 1779 000	1	BORSTMOTOR UZ 814 Machine outphased 1998	7319519356
21	093 1805 000	1	EL-MOTOR 240W BORST MUNST	7319519356
21	093 1806 000	1	BORSTMOTOR 115V	7319519356
22	142 0886 000	2	BRICKA	7319519433
23	142 0887 000	2	LEDLAGERBUSSNING	7319519433
24	142 0888 000	1	ANSLUTNINGSRÖR	7319519433
25	142 0889 000	1	AVLASTNINGSKLÄMMA	7319519433
26	142 0890 000	1	KRETSKORT 220V	7319519433
26	142 0891 000	1	KRETSKORT 240V	7319519433
26	142 0892 000	1	KRETSKORT 110V	7319519433
27	142 0893 000	1	TOP.	
28	093 1770 000	1	BØRSTE UZ984/UZ814-815 Machine outphased 1998	
29	093 1768 000	1	LÅSVINKEL	7319519355
30	093 1767 000	1	GLIDLAGER Machine outphased 1998	7319519355
31	093 1756 000	7	SKRUV RXS 3.9*16 FZ Machine outphased 1998	
32	142 0894 000	1	LEDNING UZ984	7319519433
33	093 1786 000	2	SQUARE NUT M4	
34	18274	2	SKRUE M4X12	4005337182

# Power brush UZ 984 line drawing

GD 930 GD 930S2

27-05-2011

StyMiste ID

B03133

15

Pos	Vare nr.	Ant	Beskrivelse	EAN
35	011 3634 000	1	HOSE CLIP	7319519350

# ANBEFALEDE RESERVEDELE

GD 930 GD 930S2

27-05-2011

StyMiste ID

B03135

16

Ingen tegning



# ANBEFALEDE RESERVEDELE

GD 930 GD 930S2

27-05-2011

StyMiste ID

B03135

17

Pos	Vare nr.	Ant	Beskrivelse	EAN
1	010 9299 540	1	PAKNING TIL KOBLING GD930	7319519666
1	010 9678 500	1	OUTLET ELECTRICAL 230V 930-SERIES	7319519632
1	107401390	1	CORD SET CN 15.5M - KIT CN ONLY	7319519677
1	140 1515 500	1	FILTER MAIN FOAM 930 930-SERIES	7319519632
1	140 1535 500	1	FILTER+PAKNINGER GD930	7319519632
1	140 2782 500	1	SLANGE GD930 KOMPL.	7319519632
1	140 5055 500	1	HJUL BAG KOMPL. GD930S	7319519632
1	140 6423 500	1	KABEL EU L=15M	7319519631
1	140 6423 510	1	LEDNING UZ934 10M	7319519631
1	140 6423 520	1	CORD KIT CH L 15M PACKED IN A PLASTIC BAG.	7319519631
1	140 6423 530	1	CORD UK L 15M	7319519631
1	140 6423 540	1	CORD UK L 10M	7319519631
1	140 6423 550	1	LEDNING MED STIK, 15 MTR	7319519631
1	140 6423 560	1	CORD US L 10M GROUNDED	7319519631
1	140 6423 570	1	CORD JP L 15M	7319519631
1	140 6423 580	1	CORD AU L 14M	7319519631
1	140 7012 500	1	MOTORGAVL GD930 INCL. THERMO SIKRING	7319519632
1	140 7012 510	1	MOTOR PLATE GD 930/S2	7319519632
1	140 7014 500	1	POSEHOLDER GD930S 3STK	7319519632
1	140 7019 500	1	STOF POSE, 1 STK. 930-SERIES	7319519632
1	140 7023 500	1	BRY TER, 2 HASTIGH.930 S2	7319519632
1	140 7024 500	1	PRINT, ANTI STATISK	7319519632
1	140 7025 500	1	HJUL 50 MM GD930S	7319519632
1	140 7026 500	1	2S CIRCUIT BOARD 220-240V	7319519629
1	140 7026 510	1	2S CIRCUIT BOARD 110-120V KIT	7319519629
1	140 7033 500	1	AFBRYDER GD 930S KOMPL.	7319519632
1	140 7665 500	1	OUTLET ELECT.15A 250V	7319519632
1	140 7800 500	1	HÅNDTAGSKIT GD930	7319519632
1	140 7801 500	1	LÅG M. FILTER GD930	7319519632
1	140 7801 510	1	LÅG M/HEPA FILTER GD930S	7319519632
1	140 7832 500	1	FJEDER KIT GD930/S2	7319519632
1	140 7902 500	1	SUGEMOTOR GD930S/S2	7319519605
1	140 7902 510	1	FAN UNIT KIT 110-120V	7319519605
1	140 7902 520	1	SUGEMOTOR.UZ934 ERS.011 6000 040	7319519605
1	140 7902 530	1	FAN UNIT KIT DOMEL 100V	7319519605