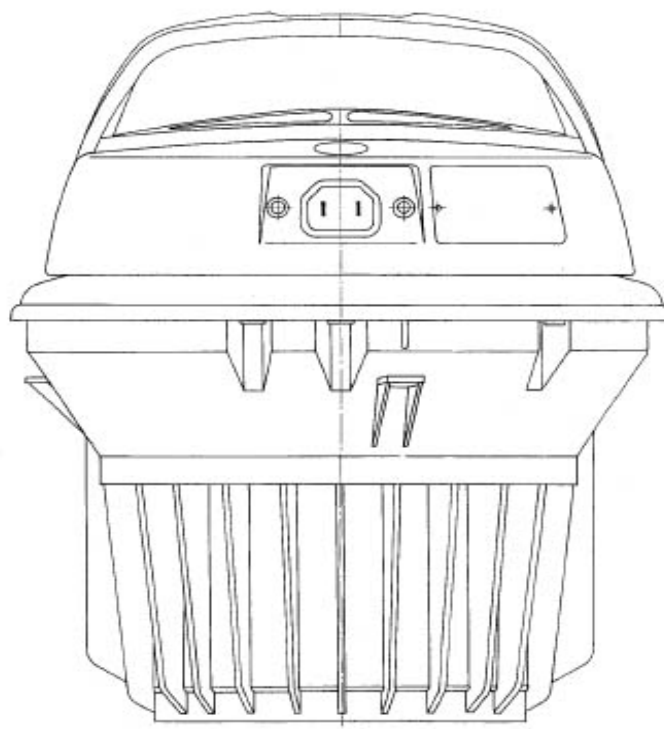


G 90 series Consumer

Model:
G 90
G 90 Allergy



Stykliste Dansk

30-08-2010

Indholdsfortegnelse

G 90 series Consumer

Motorhoved, alle modeller	3
Motor and motor wire, all models ALL	5
Cords consumer	7
UDBLÆSNINGSFILTER OG STØJDÆMPER	9
DIFFUSOR, FILTER GS/GM 81	11
Upper/lower container with accessory consumer	13
INDSUGNINGSKOBLING OG SLANGER 32 MM	15
DYSER 32 MM	17

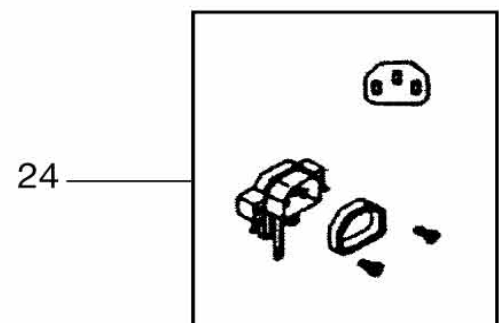
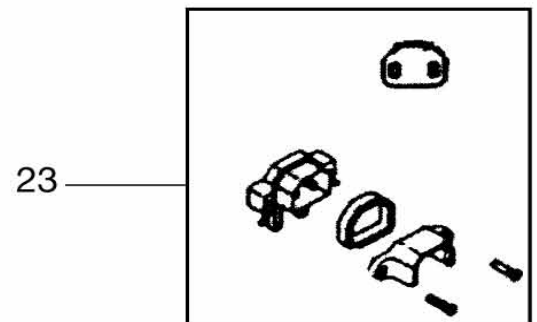
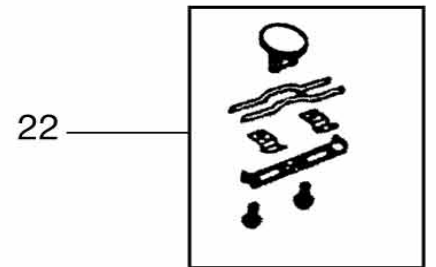
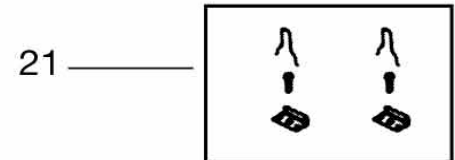
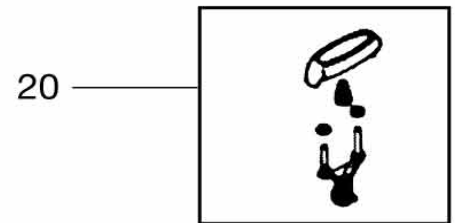
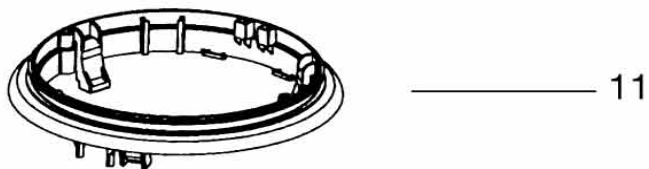
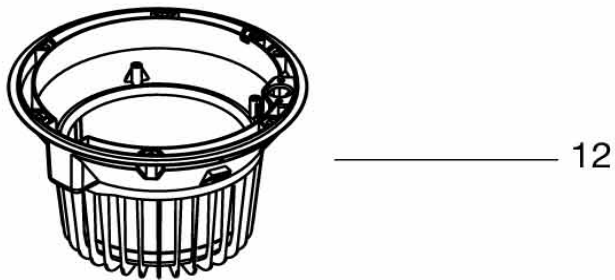
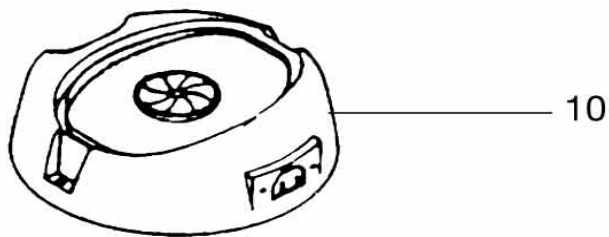
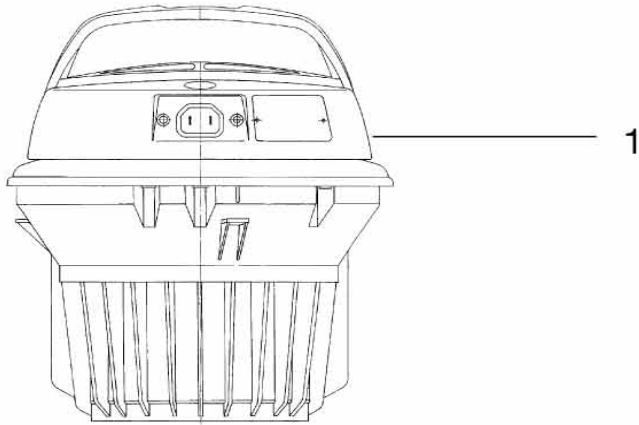
Motorhoved, alle modeller

G 90 series Consumer

30-08-2010

Stykliste ID A0933

3



Motorhoved, alle modeller

G 90 series Consumer

30-08-2010

Stykliste ID

A0933

4

Pos	Vare nr.	Ant	Beskrivelse	EAN
1	12108127	1	MOTOR GSP 100V .JAPAN	5715492004
1	12108129	1	MOTOR GSP 110-120V UL	5715492004
1	12108148	1	MOTOR GSP 200V .JAPAN	5715492004
1	12108153	1	SUGEMOTOR, GSP 800 WATT	5715492004
1	12108229	1	MOTOR GSP M.F.LEDN.UL Machine outphased 2007	5715492004
1	12108253	1	GSP-MOTOR 220-240V, 800WFAST KABLE	5715492004
1	12108329	1	MOTOR GSPJ 110-120V UL	5715492004
1	12108348	1	MOTOR GSPJ 200V .JAPAN	5715492004
1	12108353	1	MOTOR GSPJ 220-240V AUS	5715492004
1	12108429	1	MOTOR GSP 110-120V .UL Machine outphased 2007	5715492007
1	12108529	1	MOTOR GSPJ 110-120V .UL Machine outphased 2007	5715492007
1	12108629	1	MOTOR GSP W/CORD UL Machine outphased 2007	5715492007
1	12110127	1	MOTOR GMP 100V .JAPAN	5715492004
1	12110129	1	MOTOR GMP 110-120V UL	5715492004
1	12110129	1	MOTOR GMP 110-120V UL	5715492004
1	12110229	1	MOTOR GMP M.F.LEDN.UL Machine outphased 2007	5715492004
1	12110327	1	MOTOR GMPJ 100V .JAPAN	5715492004
1	12110329	1	MOTOR GMPJ 110-120V UL	5715492004
1	12112153	1	SUGEMOTOR, GMP 1200W	5715492004
1	12112253	1	MOTOR GMP F.CORD 220-240V	5715492004
1	12112353	1	MOTOR GMPJ 220-240V EU-UD	5715492004
10	22232300	1	TOP HOUSING FOR GS/GM	5715492007
11	22232500	1	SUPPORT RING KIT	7319519633
12	22231200	1	KIT F. TOP HOUSING LOWER EU	7319519630
12	22231201	1	KIT F.NEDRE MOTORKAPPE-UL	5715492007
20	22410500	1	AFBRYDERKNAP M. TRYKSTANG	5715492018
21	22410400	1	LÅSEKIT, HÅNDTAG	7319519626
22	20705300	1	TERMOVENTIL KOMPL.M.DELEGM 80/90	5715492026
23	20705400	1	STIKDÅSE, STANDARD M.DELEKITSET	7319519631
24	20705500	1	SOCKET EARTHED W. PARTS	7319519628

Motor and motor wire, all models ALL

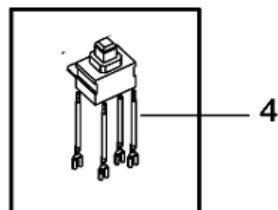
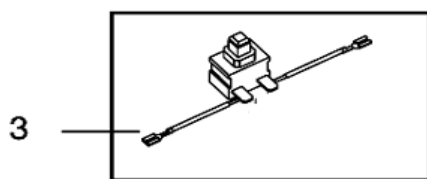
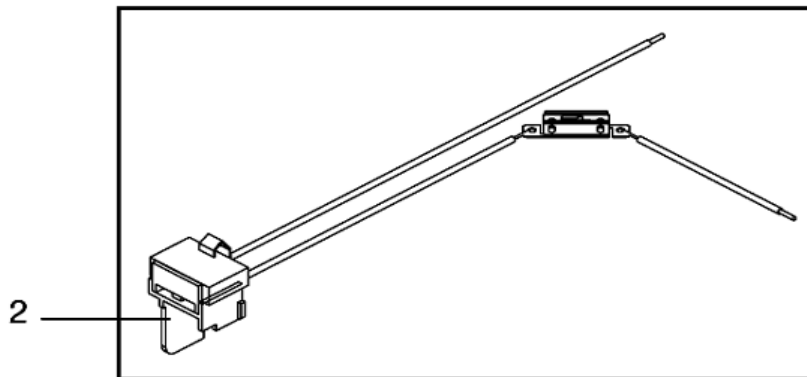
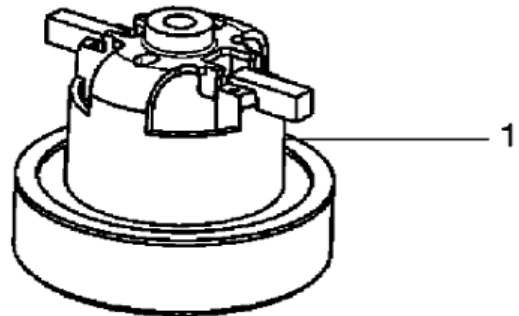
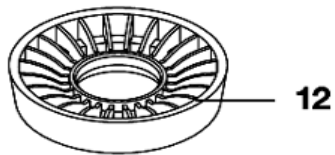
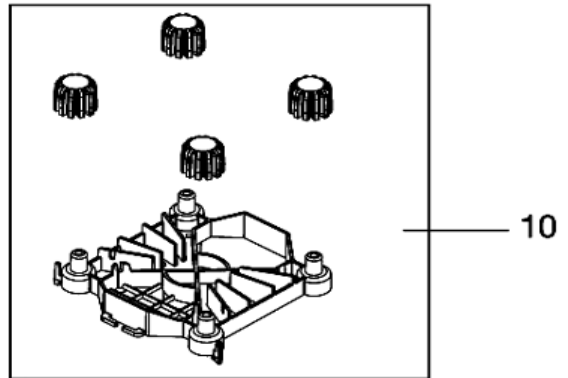
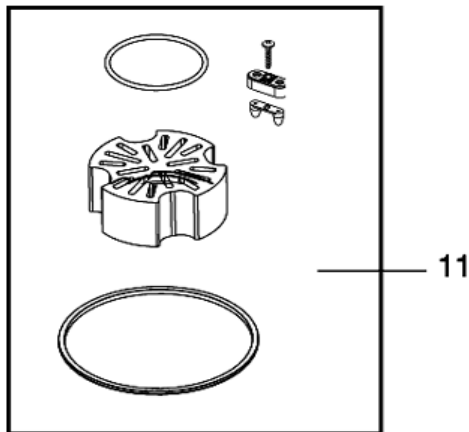
G 90 series Consumer

30-08-2010

Stykiste ID

A0935

5



Motor and motor wire, all models ALL

G 90 series Consumer

30-08-2010

Stykliste ID

A0935

6

Pos	Vare nr.	Ant	Beskrivelse	EAN
1	12125001	1	MOTOR F.UDSKIFT.	7319519501
1	12125002	1	FAN UNIT 220-240V 800W	7319519600
1	12125003	1	MOTOR F.UDSKIFT. 110/120V	5715492003
1	12125005	1	MOTOR, GMPJ/GMP	7319519625
2	22130500	1	TERMORELÆ, GMP MOTOR	5715492003
2	22130501	1	INTERNAL WIRE AND CAPACITOR	5715492006
3	22131100	1	ON/OFF SWITCH 1-POLE	5715492003
4	22131200	1	ON/OFF SWITCH 2-POLE	5715492003
10	107401268	1	MOTOR KIT FOR AMATEK	7319519676
10	22231100	1	MOTOR KIT FOR PHILIPS	5715492007
11	22365300	1	KITSÆT LYDDÆMPER MOTORTOPKIT SOUND ABSORBER	5715492011
12	22399800	1	PAKNING, INDSUGNING	5715492014

Cords consumer

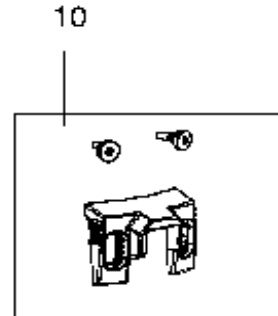
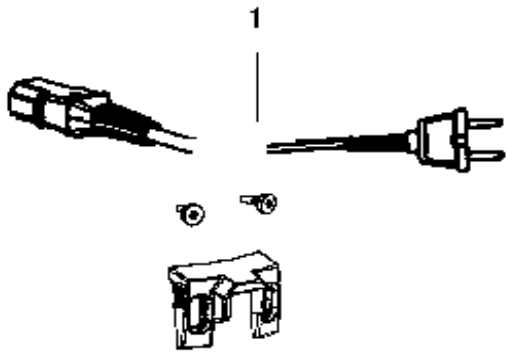
G 90 series Consumer

30-08-2010

Stykliste ID

A0937

7



Cords consumer

G 90 series Consumer

30-08-2010

Stykiste ID

A0937

8

Pos	Vare nr.	Ant	Beskrivelse	EAN
1	21548000	1	LEDNING 7M 2X1	5715492011
1	21746500	1	LEDNING 7M UK GM80/90	5715492009
1	21905400	1	7M CORD 2X1.0 CON./AUS&NZ	5715492009
1	21907900	1	7M LEDNING 2X1.0 CON./CH	5715492009
1	21952200	1	9.3M CORD AWG18/2 CON./US	5715492009
10	22361000	1	KIT HOLDEMEKANISME F LEDN	5715492011

UDBLÆSNINGSFILTER OG STØJDÆMPER

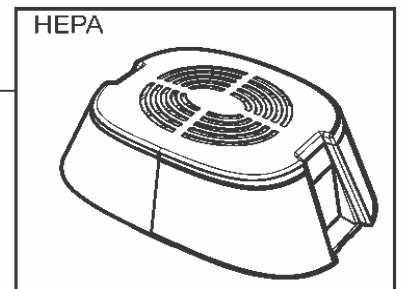
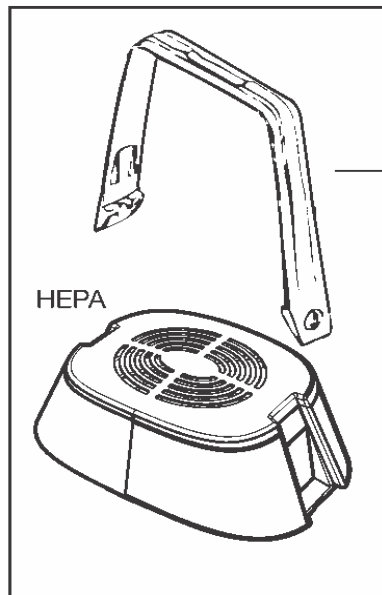
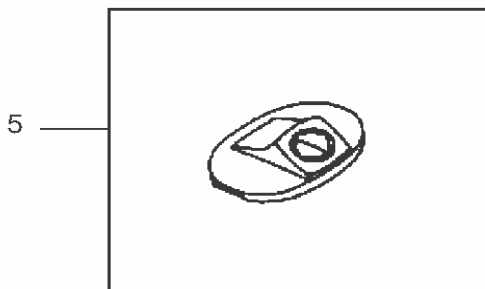
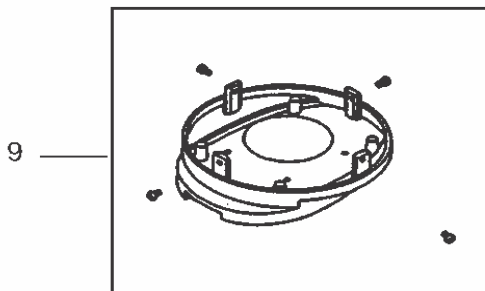
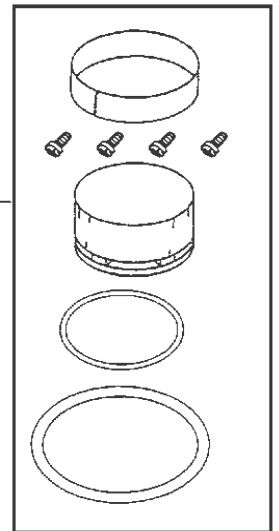
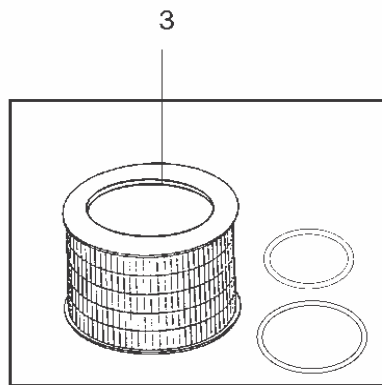
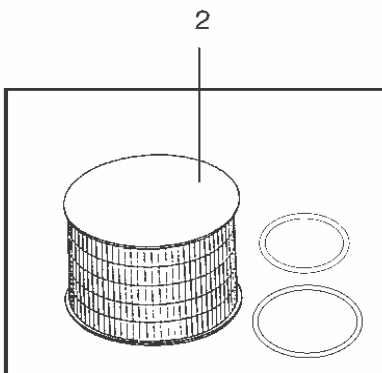
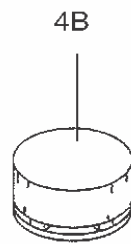
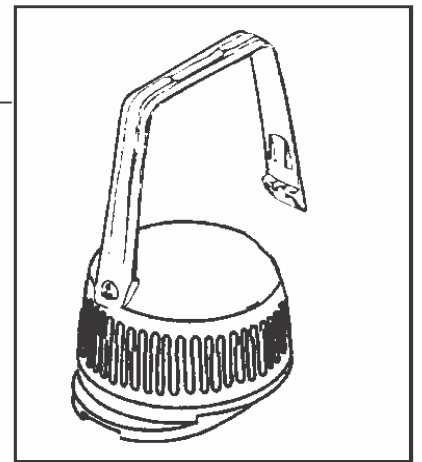
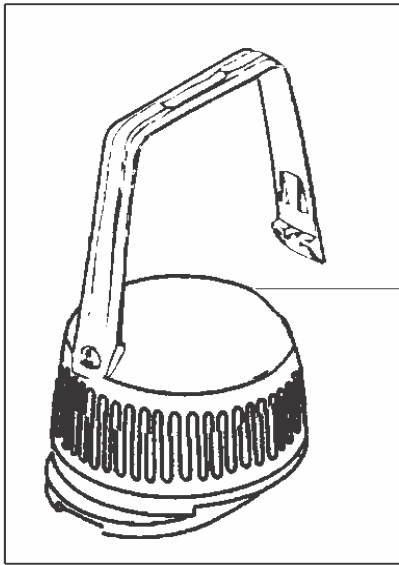
G 90 series Consumer

30-08-2010

Stykliste ID

A0939

9



UDBLÆSNINGSFILTER OG STØJDÆMPER

G 90 series Consumer

30-08-2010

Stykliste ID A0939

10

Pos	Vare nr.	Ant	Beskrivelse	EAN
1	11731003	1	MONTERINGSKIT, UDBL.GS/GM	5715492003
2	21738000	1	FILTER, HEPA GS/GM/80/90	5715492003
4	11750703	1	LYDDÆMPER F.GS/GM	5715492003
5	11562000	1	BLÆSEFATNING	5715492003
6	82146700	1	HEPAKIT, GM/GS90	5715492005
7	82147100	1	HEPAFILTERTOP, G90PATRON	5715492005
9	22383900	1	UNDERDEL UDBLÆSFILTER KIT	5715492014
4A	11750703	1	LYDDÆMPER F.GS/GM	5715492003
4B	21750900	1	LYDELEMENT KOMPL.	

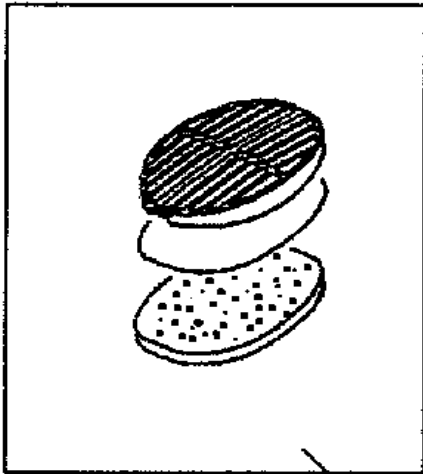
DIFFUSOR, FILTER GS/GM 81

G 90 series Consumer

30-08-2010

Stykiste ID A09311

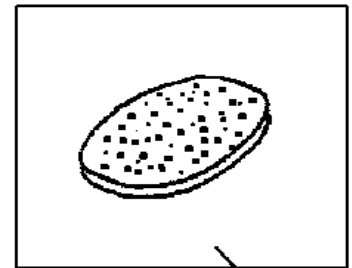
11



1



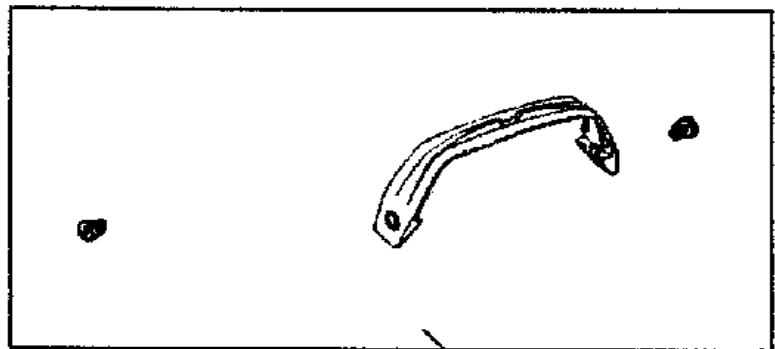
2



10



4



5

DIFFUSOR, FILTER GS/GM 81

G 90 series Consumer

30-08-2010

Stykliste ID A09311

12

Pos	Vare nr.	Ant	Beskrivelse	EAN
1	22394900	1	UDBLÆSNING, MICROSTATICGM/GS80	5715492012
2	11641000	1	FILTER, MICROSTATIC GS/GM2 STK. * See NOTE	5715492005
4	11730410	1	FILTER, MOTORBESKYT.GS/GM	5715492014
5	22132000	1	HÅNDDAG KPL.-LØSSALG	5715492003
5	81527801	2	BAJONETBOLT, GRÅ FOR FIXING THE HANDLE	7319519620

* Note: The filters have a 'black' and a 'white' side to it. The black one should be facing up

Upper/lower container with accessory consum

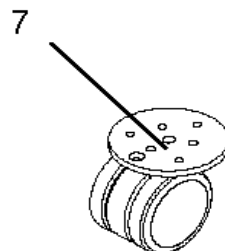
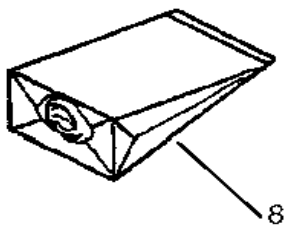
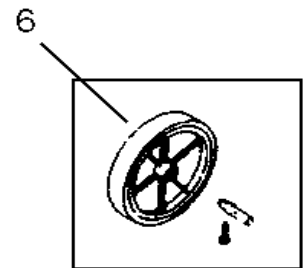
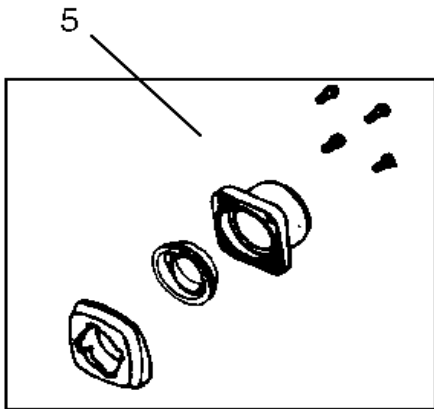
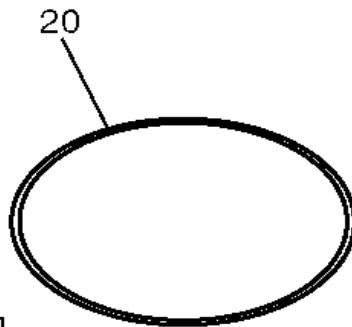
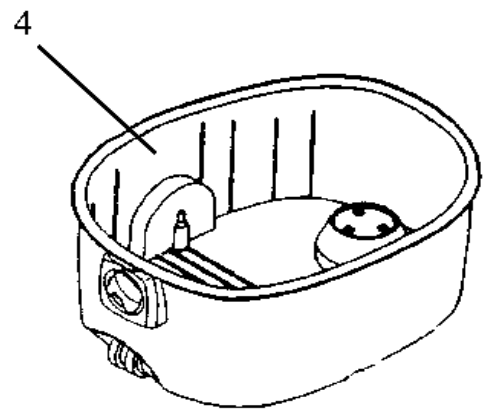
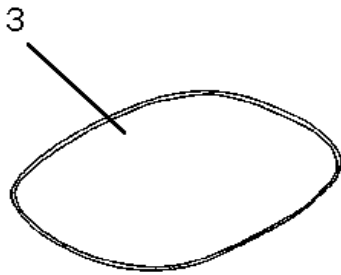
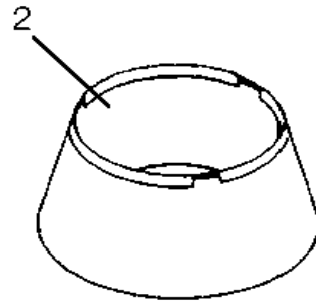
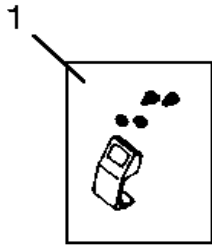
G 90 series Consumer

30-08-2010

Stykiste ID

A09313

13



Upper/lower container with accessory consum

G 90 series Consumer

30-08-2010

Stykliste ID
A09313

14

Pos	Vare nr.	Ant	Beskrivelse	EAN
1	22142100	1	LUKKETØJ GS/GM90 2 STK.	5715492004
2	61588200	1	FILTER GS90 BOMULD	5715492004
3	81991300	1	FILTER GS90C	5715492004
4	22142200	1	UNDERPART KOMPL. '90'	5715492004
4	22150000	1	LOWER CONTAINER BLUE	Machine outphased 1999
5	22142300	1	BA YONET INLET COMPLETE	5715492004
6	12009300	1	HJUL, BAG GD1000 2STK	5715492003
7	147 1040 500	1	DREJEHJUL KIT EXTREME	includes 3 screws 7319519656
8	82095000	1	STØVPOSE GS/GW80/90 5STKCONSUMER, I ÆSKE	5715492002
20	82190600	1	CARDBAORD RING, ADHESIVE 0.5 X D244	

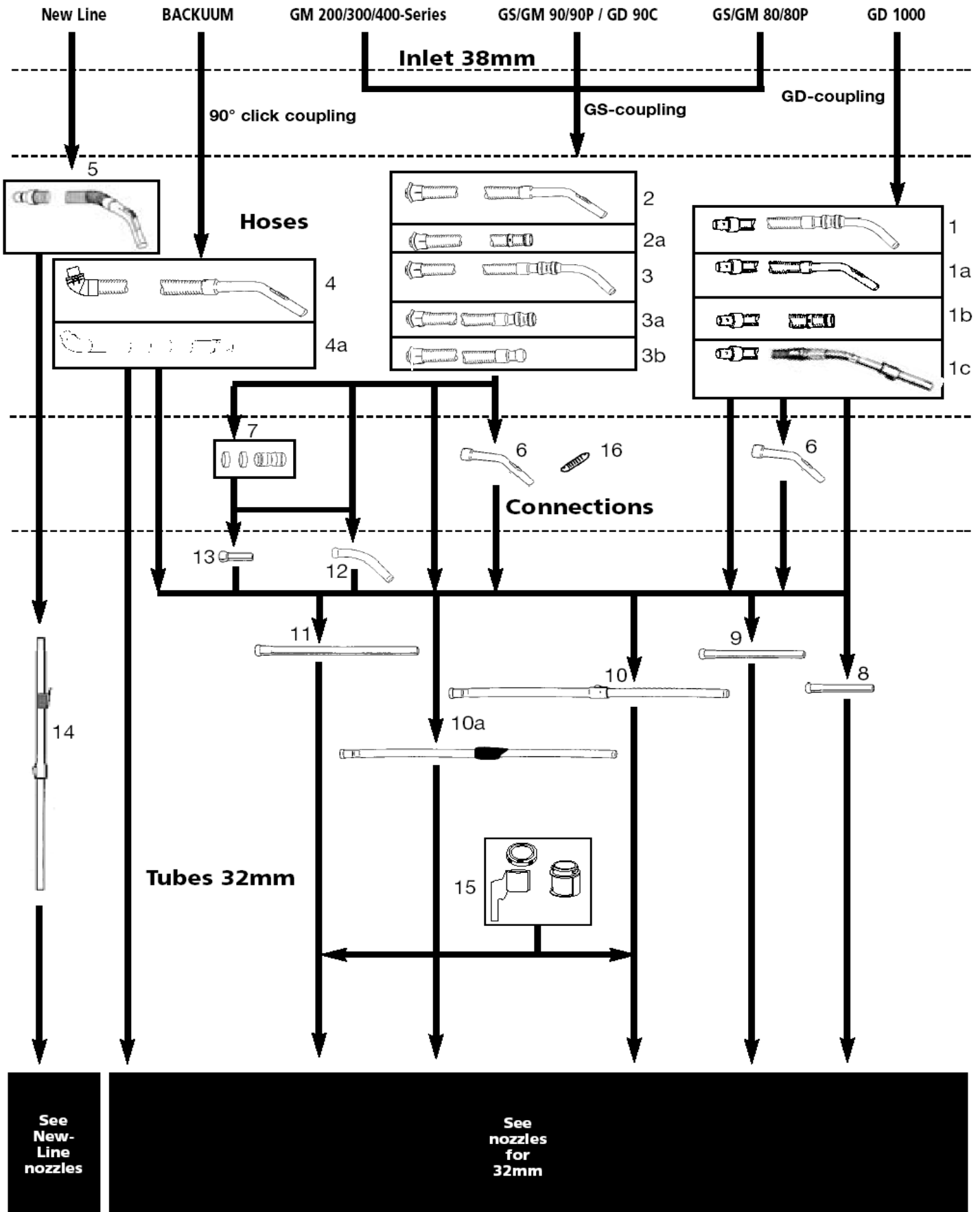
INDSUGNINGSKOBLING OG SLANGER 32 MI

G 90 series Consumer

30-08-2010

Stykliste ID
A09315

15



INDSUGNINGSKOBLING OG SLANGER 32 MI

G 90 series Consumer

30-08-2010

Stykliste ID
A09315

16

Pos	Vare nr.	Ant	Beskrivelse	EAN
0	11543700	1	SLANGE 2M KONISK GUMMIM/KUGLESTUDS 32/38MM	
2	12041500	1	SLANGE, 38-32MM 2M KOMPL.	5715492002
3	11717000	1	SLANGE 2M 32MM KON. GUMMI	5715492019
3	12097500	1	SLANGE 2M 32MM KON. PLASTKOMPLET FOR GS/GM PROF.	5715492020
6	21640503	1	RØR, BUET 32MM GD1000	5715492003
7	22344400	1	MUFFE KIT 32MM	5715492010
7	22344600	1	MUFFE, KIT 32MM	5715492010
8	11182500	1	RØR, STÅL 200MM	5715492012
9	11112401	1	RØR, STÅL 32MM L.560MM	5715492003
9	11112401	1	RØR, STÅL 32MM L.560MM	5715492003
10	81906500	1	RØR, TELESKOP 32MM STÅL	5715492011
11	11262400	1	RØR, 1 M ALUMINIUM	
12	21112600	1	BUET RØR 32MM U/REGULER.	7319519620
13	11141900	1	KORT RØR 32MM, 14CM	
15	22147600	1	PARKERINGSKLIPS KOMPL.	5715492005
16	22351000	1	VENTIL F. BUET RØR 32MM	5715492010
2A	22041400	1	HOSE 38/32MM 2M PLASTIC	5715492021
3A	11543600	1	SLANGE 2M 32/38MM GUMMI	5715492019
3A	12097600	1	HOSE 38/32MM 2M PLASTIC	5715492021
3B	22097400	1	HOSE 38/32MM 2M PLASTIC	5715492021

DYSER 32 MM

G 90 series Consumer

30-08-2010

Stykiste ID

A09317

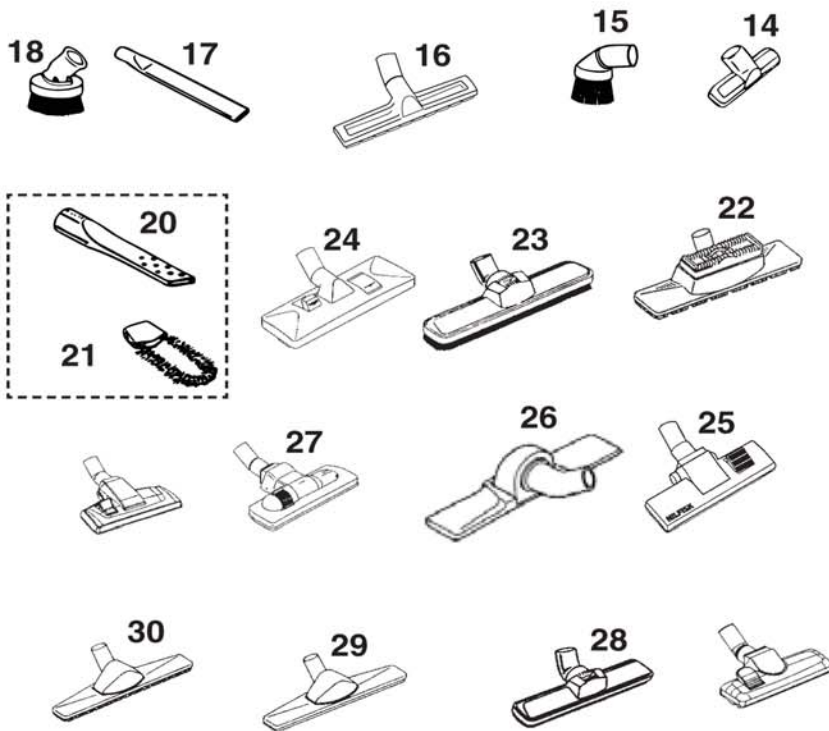
17

See hose connection diagram for 38mm hoses

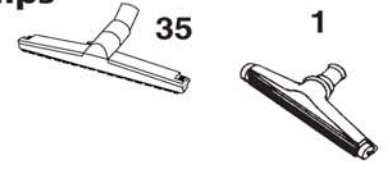
32

See hose connection diagram for Tapered 38/32mm and 32mm

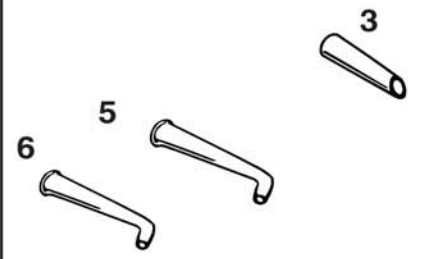
Brushes & nozzles



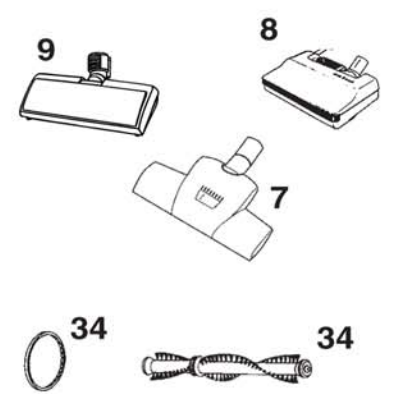
Aluminium nozzle with adjustable lips



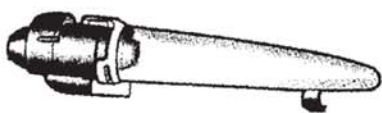
Flexible nozzles



Special nozzle



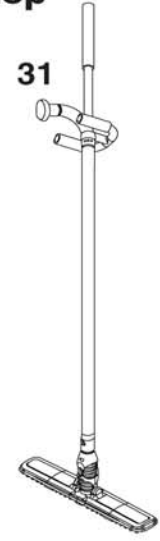
Pre-serarators 36



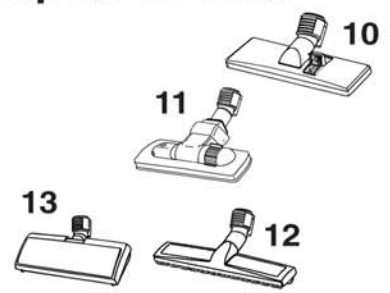
Pelican 33



NilfiskMop



Nozzles with parking clip for GD 1000



DYSER 32 MM

G 90 series Consumer

30-08-2010

Stykliste ID

A09317

18

Pos	Vare nr.	Ant	Beskrivelse	EAN
3	22302100	1	RØR, SKRÅ	5715492009
3	81140900	1	RØR, SKRÅ 32MM, GUMMI	7319519658
7	22360000	1	MUNDSTYKKE, TURBO 32MMSORT	5715492010
7	22360000	1	MUNDSTYKKE, TURBO 32MMSORT	5715492010
7	22360000	1	MUNDSTYKKE, TURBO 32MMSORT	5715492010
14	22302300	1	FURNITURE NOZZLE	5715492009
14	32043700	1	MUNDSTYKKE, MØBEL 32MMM.INDSATS GRÅ	5715492002
16	22303500	1	NOZZLE HARD FLOOR 32MM	5715492009
16	22351400	1	MUNDSTYKKE, HÅRDTGULV	5715492010
20	81530400	1	MUNDSTYKKE, FUGE 32MM	7319519604
21	11530500	1	BØRSTE, RADIA TOR	
22	11450201	1	MUNDSTYKKE 3 I 1	5715492000
24	11980300	1	MUNDSTYKKE,KOMBI 32MM GRÅ	
27	22359800	1	MUNDSTYKKE KOMBI DELUXE	5715492010
27	22359800	1	MUNDSTYKKE KOMBI DELUXE	5715492010
33	22424800	1	PELICAN NÆB-OPSAMLER	5715492025
34	81684500	1	BØRSTEV ALSE F/TURBOMUNDS.	
34	81684600	1	DRIVREM, TURBOMUNDSTYKKE	
36	140 7700 000	1	PHASE 1 CYCLON	7319519487