

# SSB 430

---

Model:  
SSB 430



Part List US-English

23-09-2012

# Table of Contents

SSB 430

<b>Wastewater tank. Clearwater tank</b>	<b>3</b>
<b>Motor</b>	<b>5</b>
<b>Battery</b>	<b>7</b>
<b>Chassis. Wheels</b>	<b>9</b>
<b>Solenoid valve</b>	<b>11</b>
<b>Squeegee</b>	<b>13</b>
<b>Motor</b>	<b>15</b>
<b>Brush Drive Assy.</b>	<b>17</b>
<b>Suction tube. Squeegee control assy.</b>	<b>19</b>
<b>Handle</b>	<b>21</b>

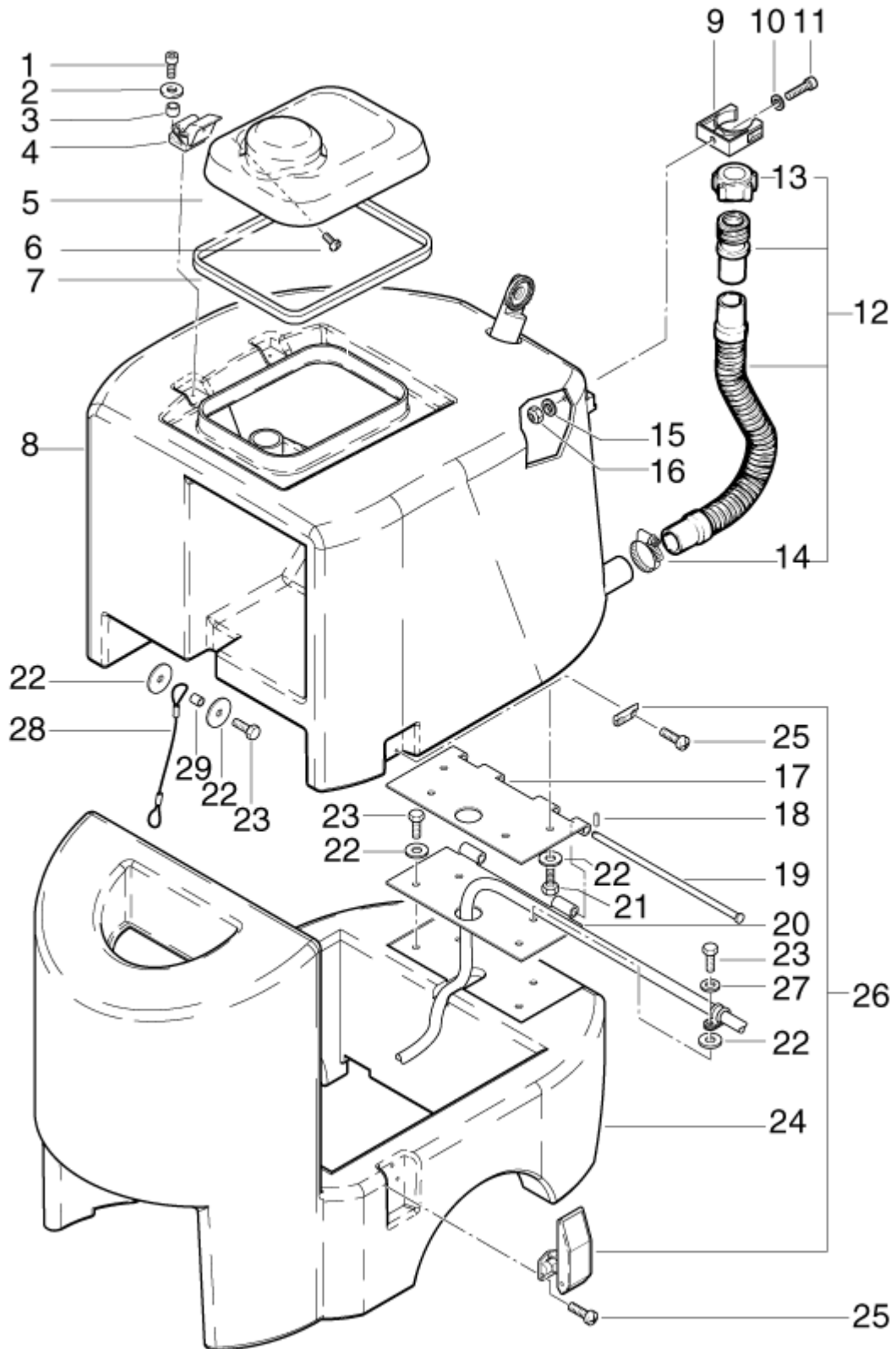
# Wastewater tank. Clearwater tank

SSB 430

23-09-2012

Part List ID  
SSB43001

3



# Wastewater tank. Clearwater tank

SSB 430

23-09-2012

Part List ID  
SSB43001

4

Pos	Part no.	Qty	Description
1	9795	2	CYLINDER SCREW M5X12 ISO 4762 ST 8.8/ZN
2	2763	2	WASHER 5.3X1
3	303000015	2	SPACER PIECE D18X6X9 =>25.08.2002
3	303000022	2	SPACER PIECE 7X5X5  26.08.2002==>
4	63728	2	HINGE 55X51X30
5	303000251	1	COVER
6	19527	2	COUNTERSUNK SCREW M4X10 ISO 7046 ZN
7	303000226	1	GASKET 72X14X10  26.08.2002=>
7	63727	1	GASKET 72X10X10 =>25.08.2002
8	303000173	1	TANK
9	7286	1	RETAINING CLAMP
10	2763	1	WASHER 5.3X1
11	10369	1	SCREW M5X25
12	303000146	1	HOSE 32X460
13	40041	1	COVER
14	31001	1	HOSE CLIP D32-50
15	5166	1	WASHER 5.3X1.6
16	24562	1	HEXAGON THIN NUT
17	303000178	1	HINGE PLATE TOP
18	44950	1	SPRING-TYPE STRAIGHT PIN
19	303000179	1	BOLT D10X233
20	303000177	1	HINGE PLATE BOTTOM
21	2752	4	HEX. SCREW M6X20 ISO 4017 ST/ZN
22	2766	11	WASHER 6.4X1.6
23	2754	6	HEX. SCREW M6X16 ISO 4017 ST 8.8/ZN
24	303000172	1	TANK
25	18087	10	SCREW M5X16
26	303000176	2	LOCKING CLAMP
27	2764	1	WASHER 6.4X1.6  26.08.2002=>
28	303000221	1	ROPE D3X650
29	63618	1	SPACER SLEEVE D8X4

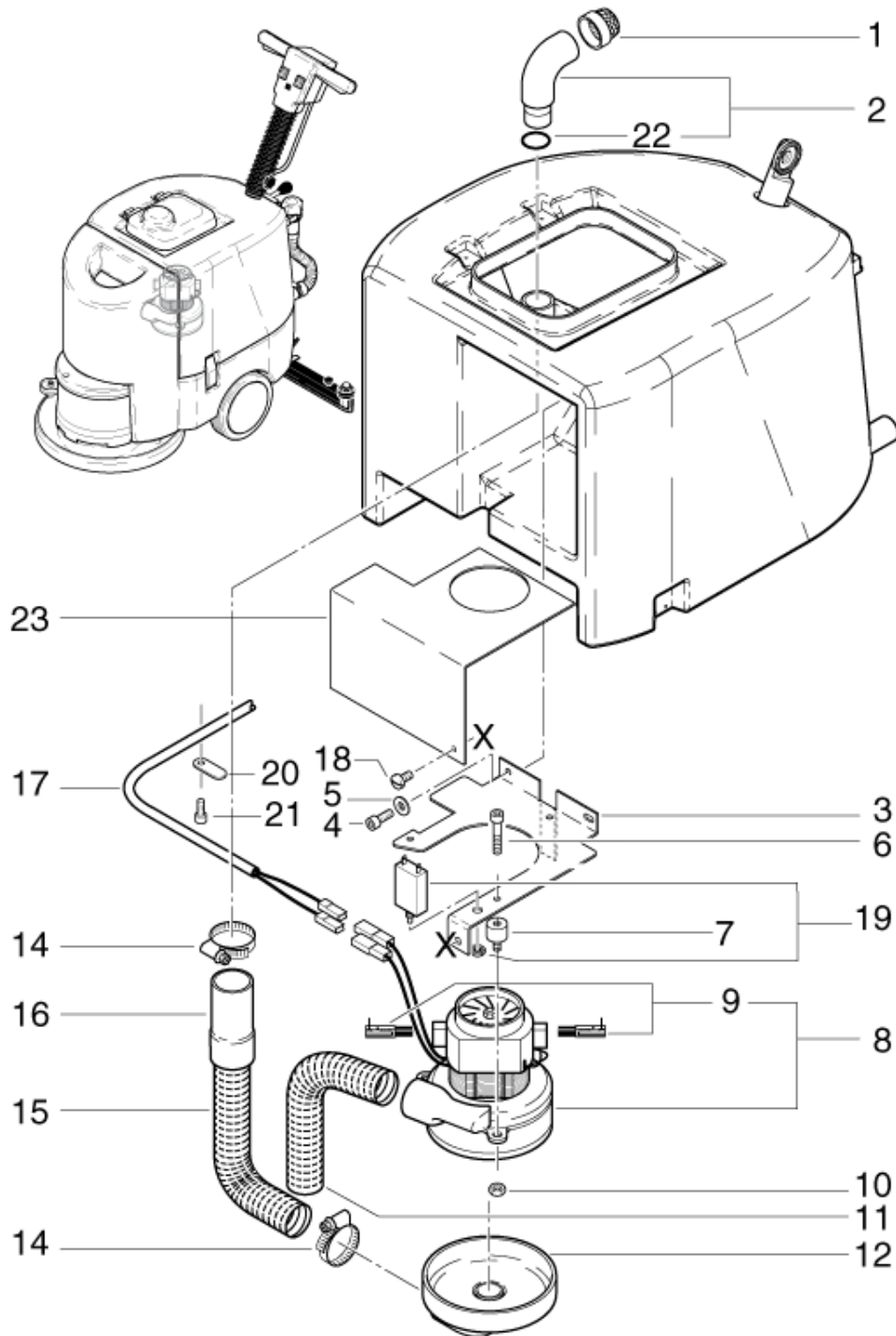
# Motor

SSB 430

23-09-2012

Part List ID  
SSB43002

5



# Motor

## SSB 430

23-09-2012

Part List ID  
SSB43002

6

Pos	Part no.	Qty	Description	
1	44922	1	FILTER	
2	303000168	1	BENT TUBE	
3	303000169	1	BRACKET 195X195X81	
4	4697	2	SCREW M6X16	
5	2766	2	WASHER 6.4X1.6	
7	34960	3	ANTI VIBRATION DAMPER D2	
8	25726	1	MOTOR 400W/24V	
9	26775	1	CARBON BRUSH SET L	=>31.12.2003
9	303000380	1	CARBON BRUSH SET	01.01.2004=>
10	11619	3	HEX NUT M6 WITH PLASTIC RING ISO7042 A2K	
11	303000057	1	SUCTION HOSE 38	PLEASE INDICATE LENGTHS IN METRES WHEN ORDERING
12	303000216	1	CONNECTION CAP	
14	31001	2	HOSE CLIP D32-50	
15	303000057	1	SUCTION HOSE 38	PLEASE INDICATE LENGTHS IN METRES WHEN ORDERING
16	107404564	1	TOOL ADAPTER D32 AS	
18	46245	1	SCREW M6X10	26.08.2002=>
19	303000222	1	MOTOR PROTECTION SWITCH	26.08.2002=>
20	303000276	3	BRACKET 32X12X1	26.08.2002=>
21	4820	3	SCREW M5X10	
22	32092	1	O-RING 29.0x2.0 DIN 3770 NBR70	26.08.2002=>
23	303000212	1	SHEET METAL 185X153X117	26.08.2002=>

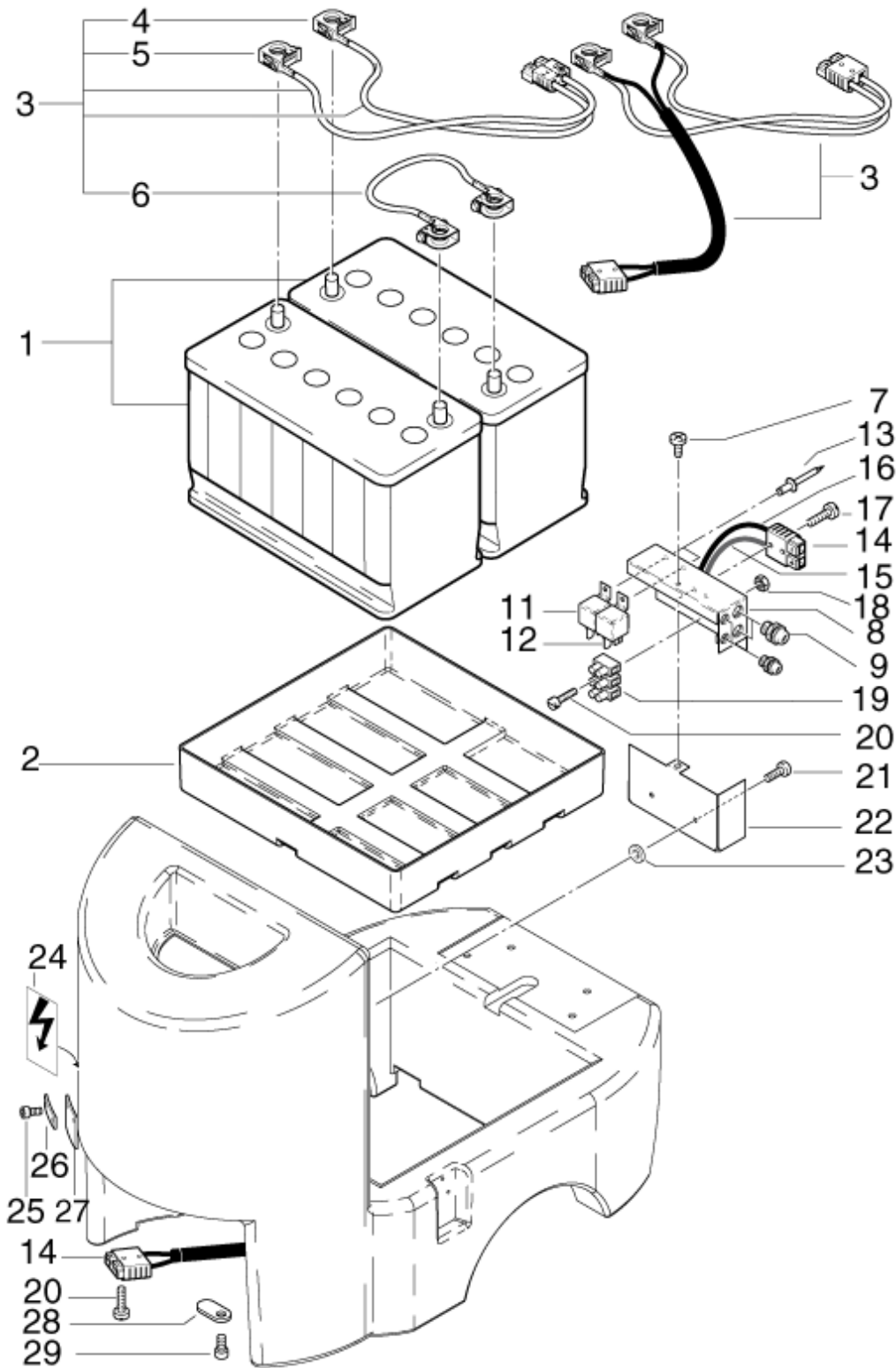
# Battery

SSB 430

23-09-2012

Part List ID  
SSB43003

7



# Battery

## SSB 430

23-09-2012

Part List ID  
SSB43003

8

Pos	Part no.	Qty	Description
1	80564310	1	BATT. 12V-76AH GEL MONOBLOC
2	303000157	1	BATTERY CONTAINER
3	28136	1	BATTERY CABLE LONG =>28.09.2003
3	303000275	1	BATTERY CABLE 50A  29.09.2003=>
4	34489	1	BATTERY TERMINAL PLUS RIG =>28.09.2003
5	34490	1	BATTERY TERMINAL MINUS LE =>28.09.2003
6	27041	1	BATTERY CABLE SHORT
7	2777	1	CYLINDER SCREW M4X10 ISO 1207 4.8 ST/ZN
8	303000174	1	EL-BOX COVER
9	909100027	1	CORD FIXING M16X1.5
11	40053	1	RELAY 24V
12	303000160	1	RELAY 24AT 1-POL.
13	7063	2	BLIND RIVET 4.8X10X9.5 A ALU/ST
14	28949	2	PLUG
15	21059	1	CABLE 10H07V-K PLEASE INDICATE LENGTHS IN METRES WHEN ORDERING
17	3389	2	CYLINDER SCREW M4X20 ISO 1207 ZN
18	15319	2	HEXAGON NUT M4
19	23763	1	TERMINAL BLOCK 12-POL.
20	3389	4	CYLINDER SCREW M4X20 ISO 1207 ZN
21	3913	2	SCREW M6X12
22	303000175	1	EL-BOX BASE
23	2766	2	WASHER 6.4X1.6
24	303000278	1	LABEL
25	6163	2	CYLINDER SCREW M4X12 ISO 1207 ZN
26	303000277	1	BRACKET 59X15X1
27	303000274	1	COVER 58X58X3
28	303000276	2	BRACKET 32X12X1
29	24335	2	CYLINDER SCREW M5X8 ISO 4762 A2



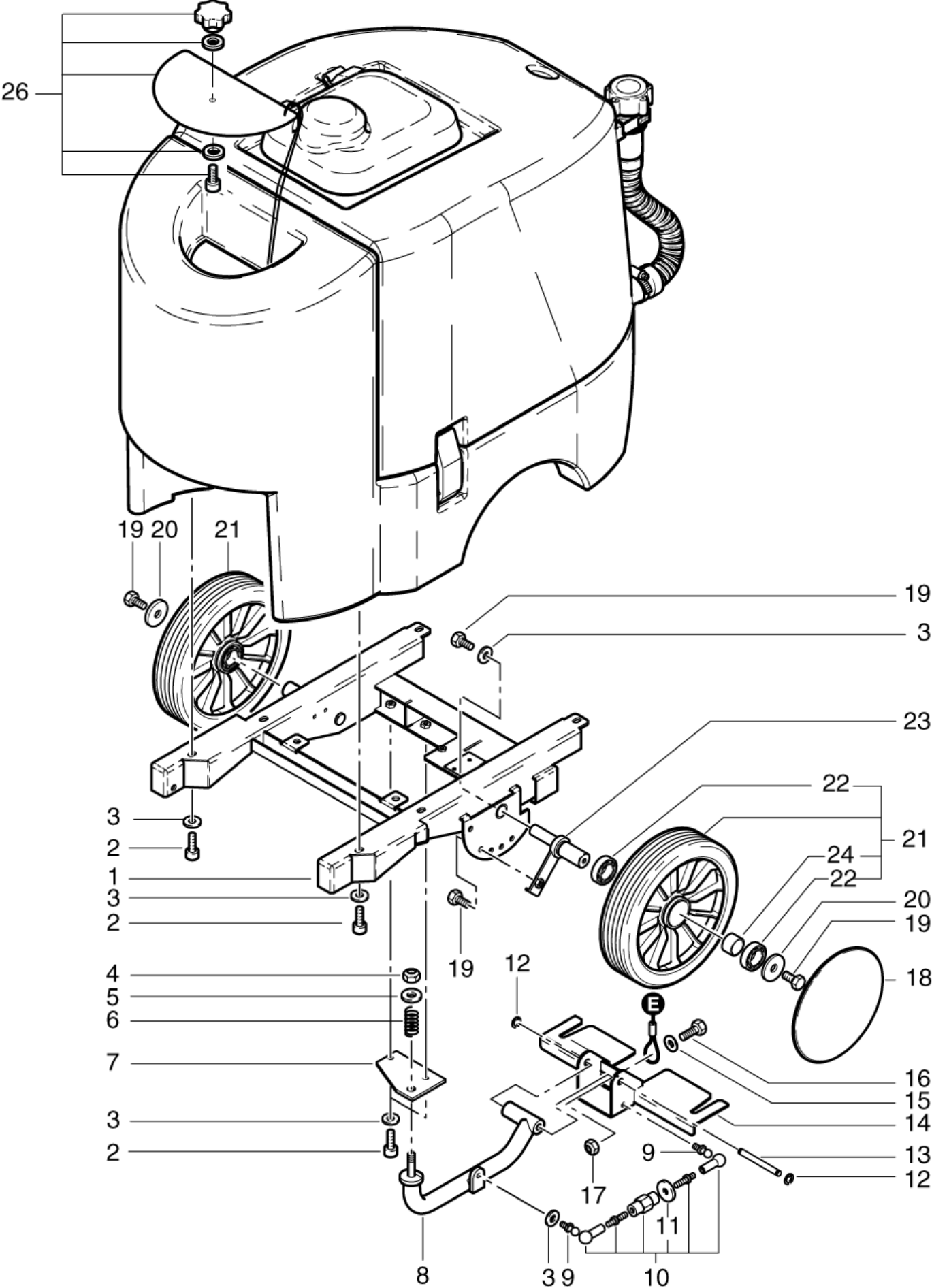
# Chassis. Wheels

SSB 430

23-09-2012

Part List ID  
SSB43004

9



# Chassis. Wheels

SSB 430

23-09-2012

Part List ID  
SSB43004

10

Pos	Part no.	Qty	Description
1	303000151	1	CHASSIS
2	4697	8	SCREW M6X16
3	2766	10	WASHER 6.4X1.6
4	6052	1	HEXAGON NUT M8 ISO 15011 Zn
5	1800796	1	WASHER M8
6	909100089	1	SPRING 1.7X14.6X20
7	63748	1	HOLDING PLATE 90X61
8	63747	1	HOLDER
9	34029	2	BALL PIN
10	19877	1	AJUSTING SPINDLE
11	63745	1	KNURLED THUMB NUT M6
12	56530	2	SAFETY RING 7X0.5
13	303000144	1	BOLT D8X71
14	63746	1	SUPPORT
15	2763	1	WASHER 5.3X1
16	9795	1	CYLINDER SCREW M5X12 ISO 4762 ST 8.8/ZN
17	2760	1	NUT M5 ISO 4032 ZN
18	67047	2	WHEEL CAP D180
19	8917	4	SCREW M6X12
20	27353	2	WASHER 30X6.4X2
21	63744	2	WHEEL D230X51
22	32523	4	ROLLER BEARING 6004-2Z
23	63743	1	HANDLEBAR D20
24	303000206	2	DISTANCE PIECE D25X20X17
25	303001027	1	COVER FRESHWATER TANK

|26.08.2002=>

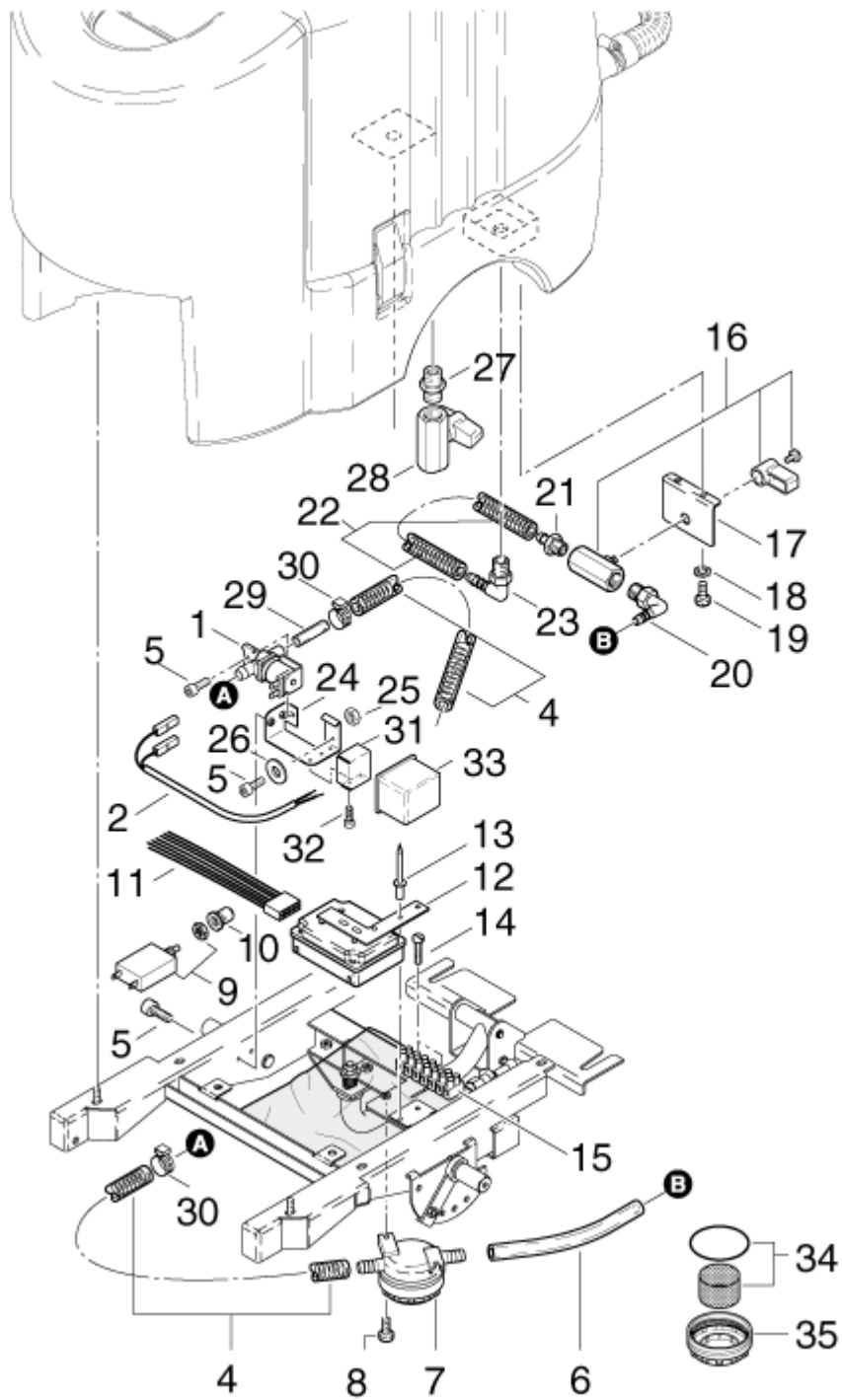
# Solenoid valve

SSB 430

23-09-2012

Part List ID  
SSB43005

11



SSB430-105

# Solenoid valve

## SSB 430

23-09-2012

Part List ID  
SSB43006

12

Pos	Part no.	Qty	Description	
1	303000167	1	SOLENOID VALVE 24V	
2	64229	1	WIRE SYSLY-JZ 2X1.5X400 AEH/FH	26.08.2002=>
4	64576	1	HOSE 12.5X3	PLEASE INDICATE LENGTHS IN METRES WHEN ORDERING
5	9768	4	CYLINDER SCREW M4X12 ISO 4762 ST 8.8/ZN	
6	303000154	2	HOSE D10X2X200	
7	63741	1	FILTER	
8	3288	2	SCREW M4X8	
9	303000161	1	MOTOR PROTECTION SWITCH	=>25.08.2002
10	25741	1	COVER	=>25.08.2002
11	303000182	1	CABLE 5G0.75X240	=>08.12.2002
11	303000218	1	CABLE 6G0.75X250	09.12.20020>
12	303000219	1	CONTROL BOX	09.12.2002=>
12	63264	1	PC BOARD	=>08.12.2002
13	7063	2	BLIND RIVET 4.8X10X9.5 A ALU/ST	
14	3389	2	CYLINDER SCREW M4X20 ISO 1207 ZN	
15	31414	1	TERMINAL BLOCK 12-POL.	
16	303000184	1	BALL VALVE 1/2	
17	303000183	1	BRACKET 80X57X17	
18	3376	2	SERRATED LOCK WASHER	
19	5191	2	PAN HEAD SCREW M5X8 ISO 7045 ZN	
20	303000397	1	HOSE NOZZLE DN12-R1/2	
21	24321	1	HOSE NOZZLE Ø 12-R1/2	
22	64576	1	HOSE 12.5X3	PLEASE INDICATE LENGTHS IN METRES WHEN ORDERING
23	48053	1	HOSE NOZZLE Ø 12R3/8	
24	303000213	1	BRACKET 74X48X41	26.08.2002=>
25	50433	2	HEXAGON NUT M4	26.08.2002=>
26	24353	1	WASHER 4.3X1	26.08.2002=>
27	909100114	1	NIPPLE 3/8-1/4	
28	61736	1	BALL VALVE	
29	303000403	1	HOSE D10X1X15	
30	8298	2	HOSE CLIP 16-27	
31	303000529	1	COVER	01.03.2005=>
32	8822	2	TREAD-CUTTING SCREW 3.5X9.5 C-H ISO 7049	01.03.2005=>
33	303000529	1	COVER	08.08.2005=>
34	303000525	1	STRAINER	
35	303000526	1	COVER FOR FILTER	

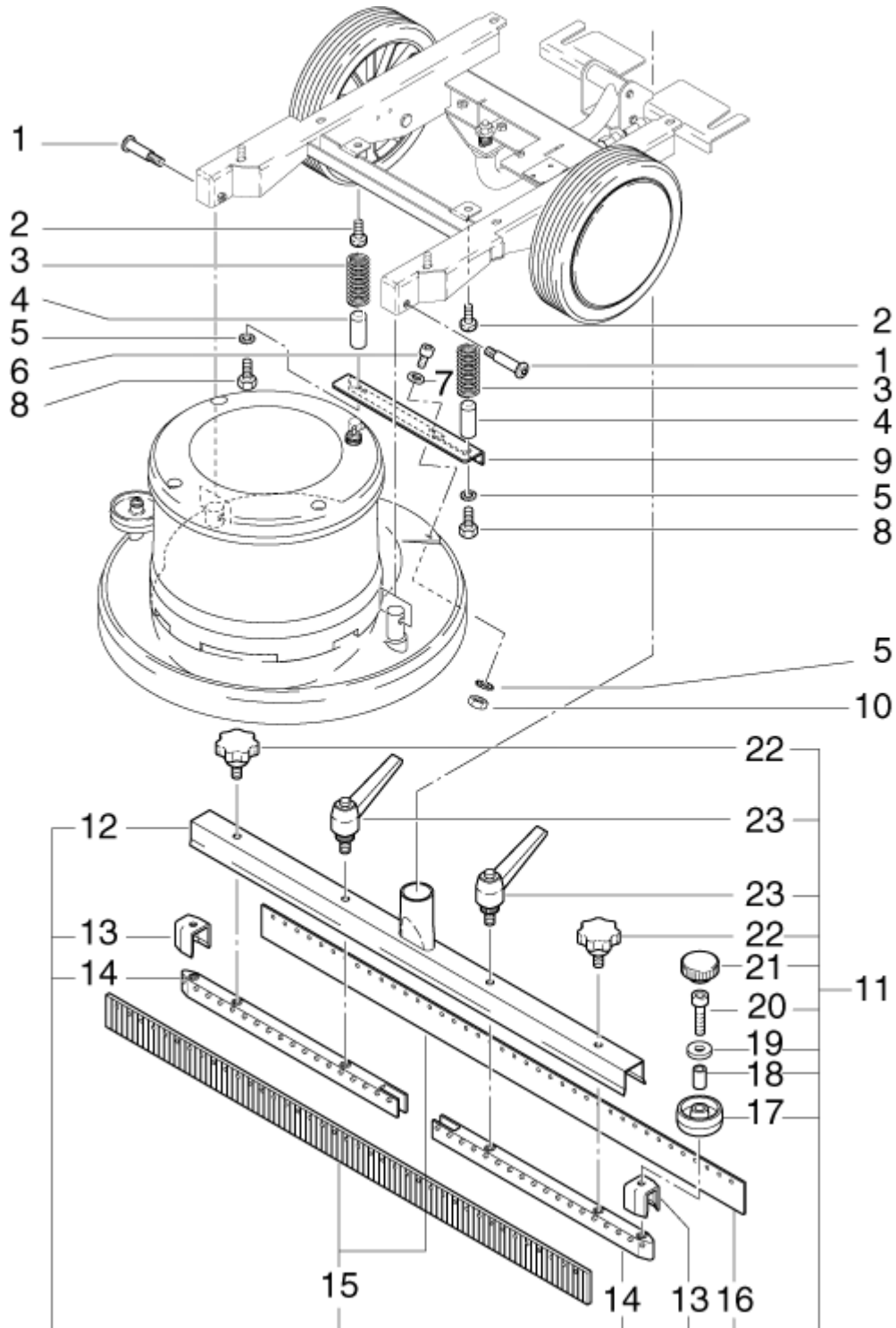
# Squeegee

SSB 430

23-09-2012

Part List ID  
SSB43006

13



SSB430-106

# Squeegee

SSB 430

23-09-2012

Part List ID  
SSB43006

14

Pos	Part no.	Qty	Description	
1	909100090	2	SCREW M6X32	
2	8917	2	SCREW M6X12	
3	63723	2	SPRING 2X14X77	
4	303000139	2	BOLT D12X23	
5	7062	2	SERRATED WASHER A 6.4 DIN 6797 ZN	
6	13600	2	CYLINDER SCREW M6X25 ISO 4762 ST 8.8/ ZN	
7	2764	2	WASHER 6.4X1.6	
8	8917	2	SCREW M6X12	
9	63722	1	BRACKET	
10	3136	2	HEXAGON NUT M6	
11	28370	1	SQUEEGEE CPL.	=>25.08.2002
11	303000198	1	SQUEEGEE CPL.	26.08.2002=>
12	62941	1	RETAINING RAIL 35X31X720	=>25.08.2002
12	65750	1	RETAINING RAIL 640X31X35	26.08.2002=>
13	62942	2	NOZZLE HOLDER	
14	62938	2	SQUEEGEE	=>25.08.2002
14	65749	2	SQUEEGEE	26.08.2002=>
15	62939	1	SQUEEGEE BLADE 720X44X3	=>25.08.2002  1 pcs.
15	65748	1	SQUEEGEE BLADES KIT	26.08.2002=> 2 pcs.
16	62940	1	SQUEEGEE BLADE 720X44X3	=>25.08.2002  1 pcs.
17	15610	2	WHEEL	
18	15611	2	SPACER TUBE 5.8X1X22.6	=>25.08.2002
18	303000204	2	SPACER PIECE 8X6X27.5	26.08.2002=>
19	2766	2	WASHER 6.4X1.6	
20	15045	2	SOCKET HEAD CAP SCREW M6X35 ISO4762 ZN	
21	65443	2	KNURLED KNOB	
22	909100382	2	STAR BUTTON M8X15 DIN	
23	65738	2	TENSION LEVER M8X16	

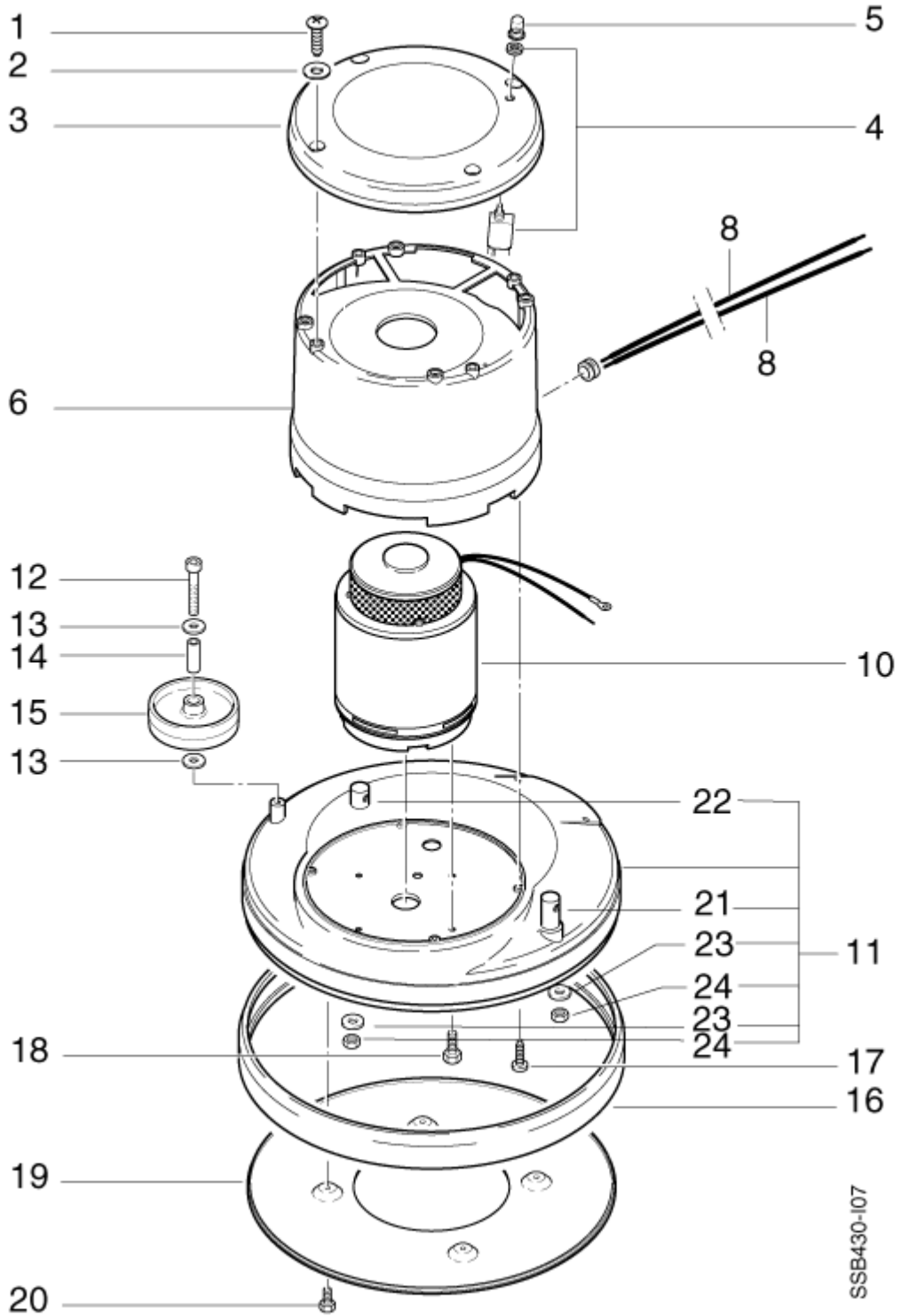
# Motor

SSB 430

23-09-2012

Part List ID  
SSB43007

15



SSB430-I07

# Motor

## SSB 430

23-09-2012

Part List ID  
SSB43007

16

Pos	Part no.	Qty	Description
1	5189	4	PAN HEAD SCREW M5X10 H ISO 7045 ZN
2	3424	4	LOCK WASHER A 5 DIN 128 ZN
3	303000153	1	COVER D277
4	303000159	1	MOTOR PROTECTION SWITCH
5	25741	1	COVER
6	303000180	1	PROTECTION CAP
10	303000152	1	MOTOR 800W/24V
11	67056	1	HOUSING - BLUE
12	9570	1	SCREW M6X40
13	2766	2	WASHER 6.4X1.6
14	303000162	1	TUBE D10X6.1X30
15	303000001	1	WHEEL D80X22X10.5
16	63608	1	GUARD RING D420
17	10029	4	SCREW KA M5X25
18	8946	4	COUNTERSUNK SCREW M6X16 ISO 7046 ZN
19	63593	1	COVER PLATE 400
20	8917	4	SCREW M6X12
21	303000203	1	BOLT D20X57/M8X19
22	303000202	1	BOLT D20X42/M8X19
23	1800796	2	WASHER M8
24	6052	2	HEXAGON NUT M8 ISO 15011 Zn



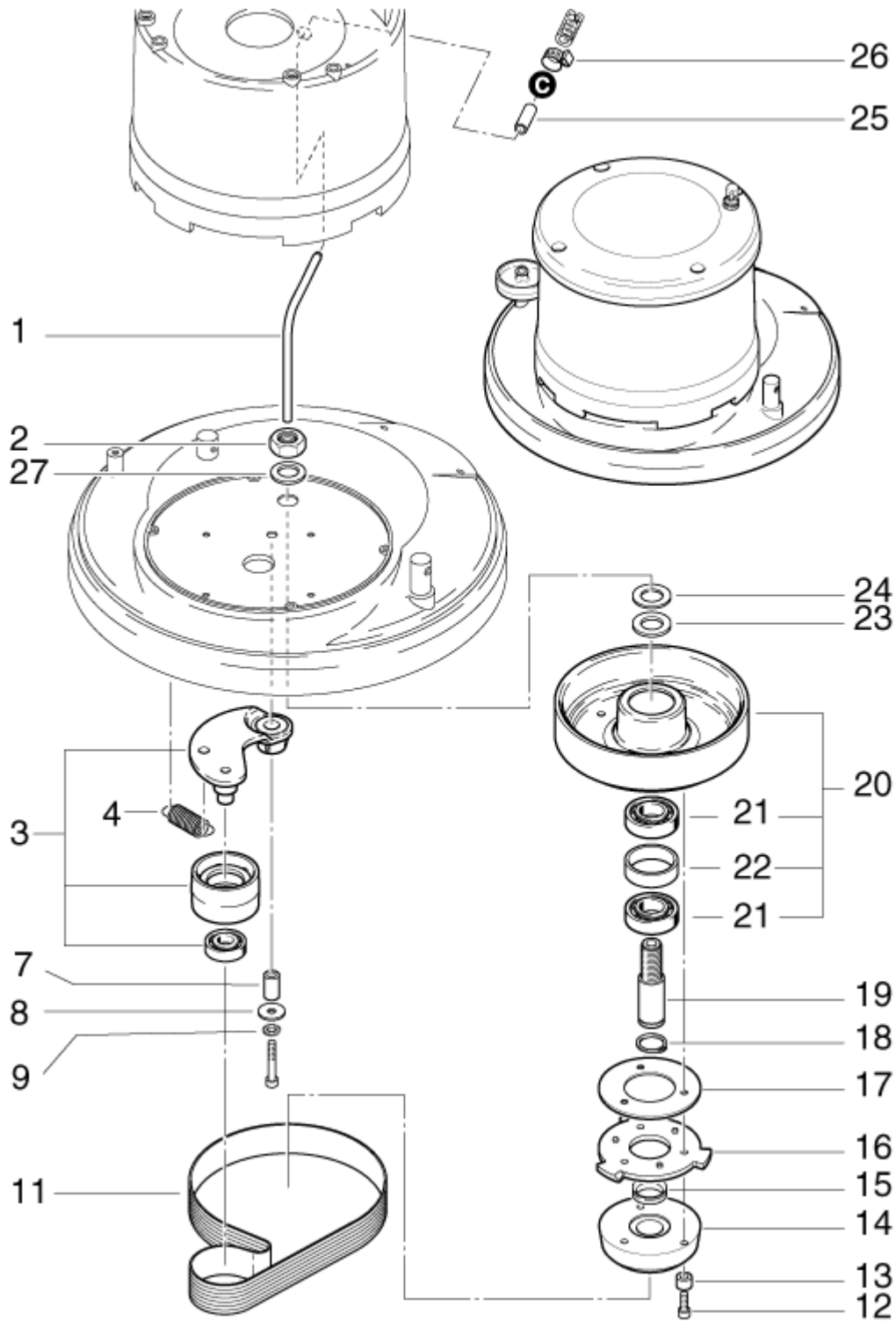
# Brush Drive Assy.

SSB 430

23-09-2012

Part List ID  
SSB43008

17



SSB430-108

# Brush Drive Assy.

SSB 430

23-09-2012

Part List ID  
SSB43008

18

Pos	Part no.	Qty	Description
1	303000140	1	PIPE BENDED D8X11X110X90X
2	42328	1	HEXAGON NUT M20X1.5X33
3	63623	1	LEVER ARM
4	63616	1	TENSION SPRING 2.8X11X46
7	63619	1	DISTANCE PIECE D15X25
8	34939	1	WASHER 8.4X2
9	2803	1	WASHER A 8.2 DIN6797 ZN FORM J
11	63621	1	DRIVING BELT
12	3913	3	SCREW M6X12
13	63618	3	SPACER SLEEVE D8X4
14	63700	1	WASHER
15	63617	1	PACKING RING D25X37X7.5
16	63625	1	PAD
17	303000158	1	WASHER D99X46X3
18	13611	1	SAFETY RING 24X1.2
19	63620	1	GEARBOX SHAFT
20	63622	1	STRAP PAD
21	101118042	2	ROLLER BEARING 6205-2Z
22	303000096	1	DISTANCE PIECE D52X45X15
23	303000112	1	DISC D20XD32X0.7
24	303000111	1	DISC D20XD35X3
25	303000143	1	HOSE D6X1X25
26	2528	1	HOSE CLAMP Ø 18X9
27	51374	1	PAD 21X3

# Suction tube. Squeegee control assy.

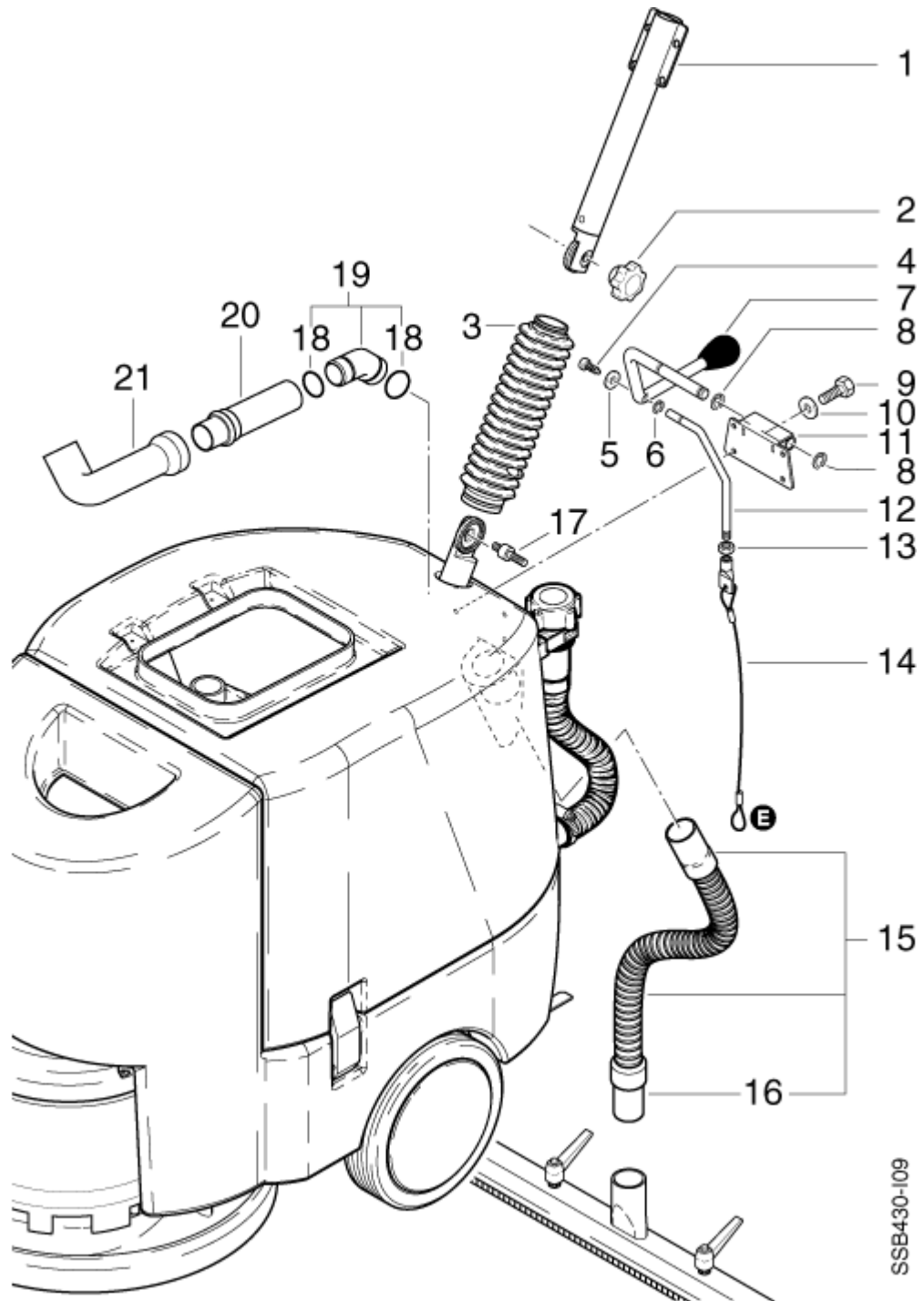
SSB 430

23-09-2012

Part List ID

SSB43009

19



SSB430-109

# Suction tube. Squeegee control assy.

SSB 430

23-09-2012

Part List ID  
SSB43009

20

Pos	Part no.	Qty	Description
1	303000142	1	GUIDE TUBE
2	40928	1	FIXING HANDLE WITH NUT M
3	63734	1	BELLOWS 65X225
4	4144	1	CYLINDER SCREW M4X6 ISO 1207 ZN
5	24353	1	WASHER 4.3X1
6	14402	1	SAFETY DISK D6
7	63737	1	LEVER
8	8878	2	LOCK WASHER M10X1 DIN 471 ZN
9	7473	4	HEX. SCREW M5X12 ISO 4017 VA
10	5166	4	WASHER 5.3X1.6
11	63736	1	BRACKET
12	63735	1	LEVER
13	2758	1	HEXAGON NUT M8
14	303000220	1	ROPE 2X390  26.08.2002=>
14	63738	1	ROPE 5X280 =>25.08.2002
15	303000170	1	SUCTION HOSE 36X610
16	14682	1	HOSE SLEEVE Ø 32  26.08.2002=>
16	46690	1	HOSE SLEEVE B1 Ø 36 =>25.08.2002
17	909100361	1	STUD BOLTS M8X25.5/M8X7.
18	53562	2	O-RING 28.0x2.0 DIN 3770 FPM80
19	63732	1	ELBOW
20	63731	1	INTAKE PIPE D44X142
21	303000217	1	PIPE BENDED D34X146

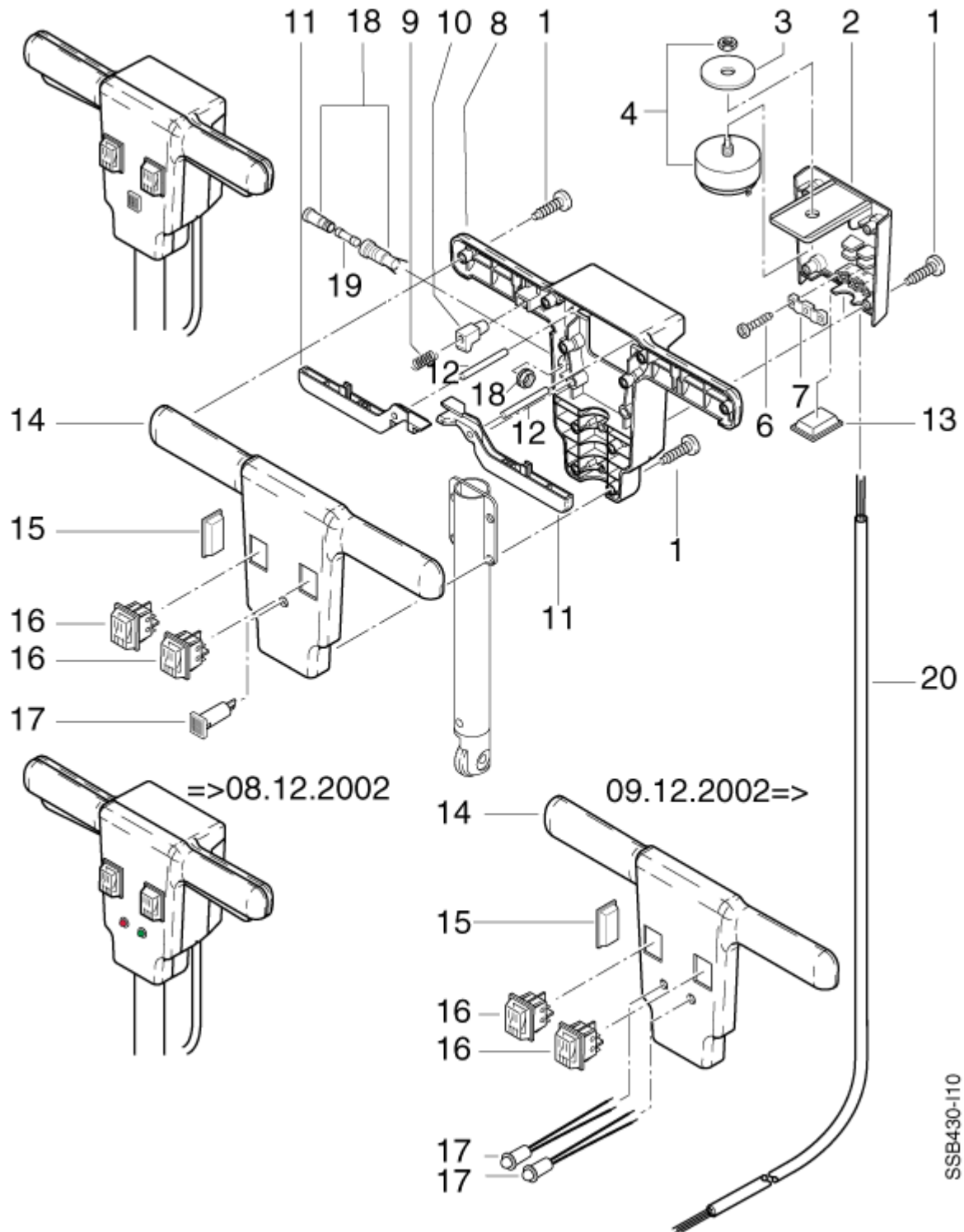
# Handle

SSB 430

23-09-2012

Part List ID  
SSB43010

21



SSB430-110

# Handle

SSB 430

23-09-2012

Part List ID  
SSB43010

22

Pos	Part no.	Qty	Description	
1	10029	10	SCREW KA M5X25	
2	63585	1	CONSOLE	
4	63589	1	CONTACT 25-10-A/250AC	
6	11565	3	SCREW 5X18 WN1411	
7	303000123	1	STRAP 43X12X6	
8	303000156	1	HANDLE REAR	
9	63583	1	SPRING 0.6X5.4X27	
10	63588	1	CONTACT 30X19X12	
11	63586	2	HANDLE	
12	53610	2	PIN Ø 6X53	
13	303000121	1	COVER 33X28X6	
14	303000155	1	HANDLE FRONT	=>08.12.2002
14	303000215	1	HANDLE FRONT	09.12.2002=>
15	303000145	1	COVER 35X15X18	
16	7479	2	SWITCH 24V	
17	28132	1	INDICATOR LAMP - RED 24	=>08.12.2002
17	303000224	1	INDICATOR LAMP - GREEN	09.12.2002=>
17	303000225	1	INDICATOR LAMP - RED. 2	09.12.2002=>
18	30525	1	HOUSING	
19	23004	1	FUSE 1A Ø 5X20	
20	303000181	1	CABLE 7/0.75X1850	=>08.12.2002
20	303000214	1	CABLE 9/0.75X1850	09.12.2002=>