

# POSEIDON 2 PORTABLE

---

Model:  
POSEIDON 2-24 PORT  
POSEIDON 2-26 PORT



Stykliste Dansk

06-07-2011

**Nilfisk**  
**ALTO**  
works for you

[www.nilfisk-alto.com](http://www.nilfisk-alto.com)

# Indholdsfortegnelse

POSEIDON 2 PORTABLE

<b>Poseidon 2</b>	<b>3</b>
<b>Default accessories</b>	<b>7</b>

# Poseidon 2

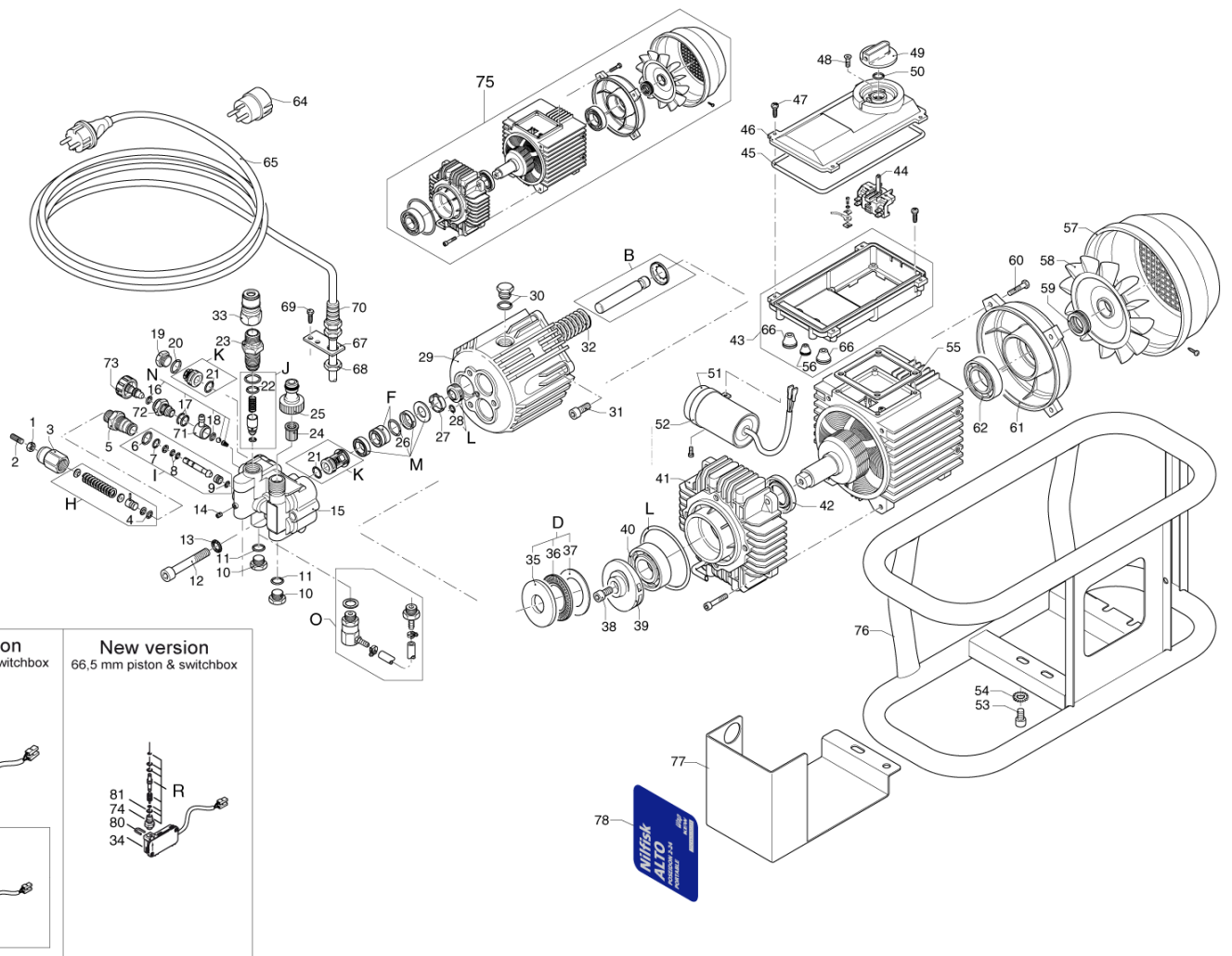
## POSEIDON 2 PORTABLE

06-07-2011

Styliste ID

FOS202

3



Old version	New version
71 mm piston & switchbox	66,5 mm piston & switchbox

# Poseidon 2

## POSEIDON 2 PORTABLE

06-07-2011

Styliste ID

PCS202

4

Pos	Vare nr.	Ant	Beskrivelse		EAN
-	5218602	1	PUMPE OIL HV68 1*1L	0,0651	5701715046
1	1805399	1	LÅSEMØTRIK/MNYLONRING M6		5701715029
2	101814690	1	GEVINDSTYKKE M6X10		5701715236
3	106522464	1	GREB		5701715236
4	3004181	1	O-RING 7.66X1.78 NTRIL 90 SH		5701715323
5	106522491	1	STEMPELSTYR		5701715297
6	56554	1	O-RING		4005337565
7	7424	1	O-RING		4005337074
8	6480272	2	O-RING Ø2,9X1,78 NBR 70SH		5701715226
9	3004297	1	O-RING		5701715365
B	106522451	3	REP.KIT PISTONS		5701715236
D	106522453	1	REP.KIT BEARINGS		5701715236
E	106522455	1	REPAIRSET BACK-UP RING 9850		5701715236
H	106522457	2	REP.SÆT FJEDERSTEMPEL		5701715236
I	106522458	1	REP.KIT BY-PASS VENTIL		5701715236
J	106522459	1	REP.KIT INJEKTOR 9750		5701715236
K	106522460	3	REP.KIT VENTILER		5701715236
L	106522461	1	REP.SÆT OLIETÆTNING 9750		5701715236
M	106522462	3	REP.KIT WATER SEALS		5701715236
N	106522521	1	REP.SÆT KEM 9750		5701715297
O	101119852	1	EASY START VENTIL		5701715415
P		1	NOTE COMMENT	See STI CPW_022	5701715466
Q	106522456	1	REP.SÆT S/S VENTIL	See STI CPW_022	5701715236
R	106522481	1	MICRO SWITCH	See STI CPW_022	5701715297
10	301003044	2	PLUG Ø 10.8		4005337126
11	9154	2	O RING		4005337091
12	106522492	3	SKRUE ENCORE RC 26/28/30		5701715297
13	1800317	3	UNDERLAGSSKIVE ENCORE 26/28/30		5701715026
14	301003046	1	SCREW M3X5		4005337126
15	106522466	1	TOPSTYKKE		5701715236
16	6480272	1	O-RING Ø2,9X1,78 NBR 70SH		5701715226
17	6480286	3	O-RING		5701715226
18	24658	1	O-RING 4,5 X 1.8		4005337246
19	301001496	1	PROP M22 SW 21X22,5		4005337048
20	103004342	1	O-RING		5701715236
21	19620	1	O-RING		4005337196
22	3002029	1	O-RING 12,42X1,78 NTRIL		5701715038
23	106522493	1	KEM INJEKTOR		5701715297
24	106522469	1	FILTER		5701715236
25	106522495	1	SLANGESTUDS + O-RING		5701715297
26	24269	3	O-RING 20,5 X1,8 NBR70		4005337242
27	106522463	3	AFSTANDSSTYKKE		5701715236

## Poseidon 2

## POSEIDON 2 PORTABLE

06-07-2011

Styliste ID

PCS202

5

Pos	Vare nr.	Ant	Beskrivelse	EAN
28	3004108	3	O-RING 5,28X1,78 NITRIL 90 SH	5701715038
29	106522468	1	HUS	5701715236
30	106522470	1	PROP	5701715236
32	106522471	3	FJEDER	5701715297
33	1402569	1	LYNKOBLEINGSNIPPEL KOMP.	5701715023
34	106522528	1	SWITCH-BOX	5701715457
			MICROSWITCH# 106522530	
34	106522530	1	MICROSWITCH# 106522481	5701715457
38	106522511	1	SCREW	5701715297
39	106522483	1	SKRÅSKIVE	5701715297
40	106522478	1	LEJE	5701715297
41	106522490	1	ELEC MOTOR FLANGE	5701715297
42	106522479	1	TÆTNING	5701715297
43	107306064	1	EL-KASSEBUND KOMPL.	5701715335
44	29931	1	KONTAKT	4005337239
45	101406054	1	SPONGE RUBBER Ø4 L 1M	5701715457
46	106126221	1	EL-KASSE LÅG	5701715316
47	16861	4	SKRUE 3,9 X 16	4005337168
48	18274	2	SKRUE M4X12	4005337182
49	243611	1	DREJEBNAP	4005337017
50	9868	1	O-RING 10,0X2,5	4005337098
51	106522513	1	CAPACTOR 50µF	5701715297
			50µF	
52	106522501	2	SPÆNDEBÅND	5701715297
53	101814749	4	CYLINDER SCREW M6x10 ISO4762 ZN	5701715335
54	2803	4	WASHER A 8.2 DIN6797 ZN FORMJ	4005337028
55	106522514	1	GASKET	5701715297
56	3803764	1	PAKÅSE TET 5-7C	5701715007
57	106522485	1	FAN COOLING	5701715297
58	106522486	1	FAN	5701715297
59	106522487	1	SEAL	5701715297
60	10369	4	SKRUE M5X25	4005337103
61	106522488	1	MOTOR SHIELD	5701715297
62	106522489	1	LEJE	5701715297
64	10459521	1	Adapter for electric plug	5701715335
			Up to 2005.01.05	
64	82179200	1	PLUG UK	
65	301002511	1	POWER CORD RNF 3G1.5X6MCEE3 16A6HBL	4005337104
			26 (DK)	
65	7180226	1	POWER CORD RNF 3G1.5X6MCEE7/II	5701715137
			EU	
66	3803772	2	PAKÅSE TET 7-10C	5701715007
67	106522482	1	BESLAG	5701715297
68	909100019	1	MØTRIK	4005337016
69	1801091	2	SKRUE M5X10	5701715027
70	909100043	1	KABELAFLASTNING	4005337679
71	106522518	1	SLANGESTUDS	5701715297

# Poseidon 2

## POSEIDON 2 PORTABLE

06-07-2011

Styliste ID

FCS202

6

Pos	Vare nr.	Ant	Beskrivelse	EAN
72	106522519	1	INJEKTORHUS	5701715297
73	106522520	1	GREB	5701715297
74	106522533	1	NUT FOR PISTON 66,5 MM	5701715457
75	106522527	1	MOTOR COMPL. 230-240V 50HZ	5701715395
			230-240V, 50-HZ	
76	107304025	1	CHASSIS	5701715395
77	107304028	1	COVER POSEIDON	5701715395
78	107304032	1	LABEL POSEIDON 2-24	5701715395
79	107304033	1	LABEL POSEIDON 2-26 PORTABLE	5701715395
80	301003053	1	CLAMP	4005337126
81	106522532	1	O-RING FOR 106522533	5701715457
34A		1	NOTE COMMENT	5701715456
			See STI CPW_022	
74A	6522828	1	MØTRIK M O-RING	5701715337
			See STI CPW_022	

# Default accessories

POSEIDON 2 PORTABLE

06-07-2011

System ID

POS04

7

Ingen tegning

# Default accessories

POSEIDON 2 PORTABLE

06-07-2011

StylisteID

PCS204

8

Pos	Vare nr.	Ant	Beskrivelse	EAN
-	106402281	1	FLEXPOWER (UDENDYSE) LÆNGDE 99 CM	4005337167
-	106403122	1	SPULEHÅNDTAG ERGO 2000	4005337168
0	101119736	1	TORNADO+ 0350 1/8"	5701715324
0	101119741	1	TORNADO+ 0500 1/8"	5701715324
0	101405770	1	SLANGE 2W. 10M 5/16"	5701715330
1	106402141	1	FLEXPOWER U. DYSEL=92CM	5701715324
1	301002410	1	SPULEHÅNDTAG ERGO 1000	4005337088